

HARDWIRING ASSEMBLY INSTRUCTIONS FOR Bradford Wall Lamp

3920-21
3920-26

1.0

Model # 3920-21

3920-26

BEFORE STARTING- SHUT OFF BREAKER AT MAIN DISCONNECT

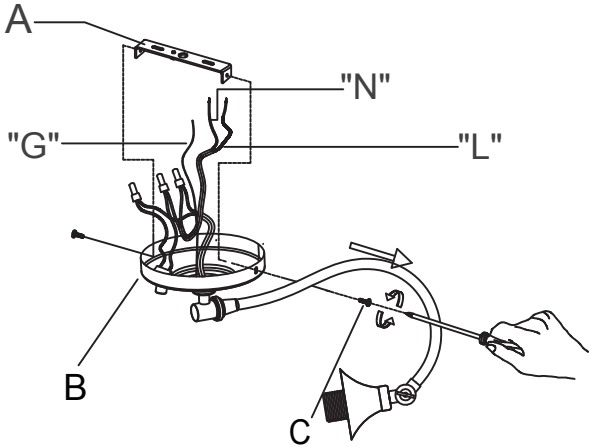
Make sure all power is disconnected at existing fixture and that there are no live wires in the junction box.

Not all junction boxes include simple wiring .If you are unsure or have doubts of electrical connection,call an electrician for assembly .

Remove all items from the packaging.

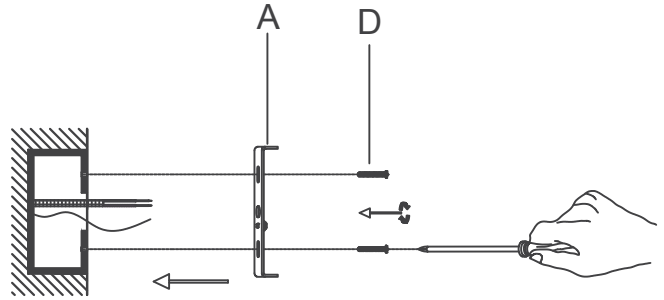
Step 1.

Remove 2 screw(C) from the canopy (B) and bracket(A) as shown.



Step 2.

Place bracket(A) to wall. Align hole in bracket(A) with holes in junction box and secure with 2 screws(D) by a phillips head screwdriver. Be sure mounting cross bar is attached tightly to the junction box so the lamp sits sturdy on the wall.



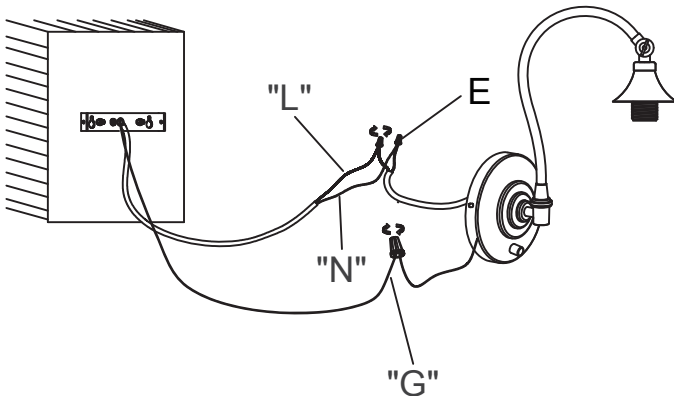
Step 3.

(1)Attach the neutral fixture wire (N) from the canopy(B)to the neutral wire in junction box (usually white).

(2)Attach the hot fixture wire (L) from the canopy (B) to the hot wire in junction box (usually black).

(3)Twist both ground wire("G") in your home and in canopy.

Cover the connected wires with wire nut(E) - tighten each connection by turning clockwise.



GENERAL PRODUCT INFORMATION:

This product is suitable for dry locations only.



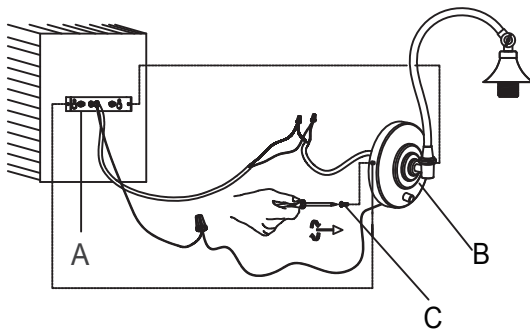
IMPORTANT SAFETY INSTRUCTIONS:

This portable lamp has a polarized plug (one blade is wider than the other) as a feature to reduce the risk of electric shock. This plug will fit in a polarized outlet only one way. If the plug does not fit fully in the outlet, reverse the plug. If it still does not fit, contact a qualified electrician. Never use with an extension cord unless plug can be fully inserted. **DO NOT ALTER THE PLUG.**

BULB TYPE: (1) 40 watt vintage edison Bulb (included)

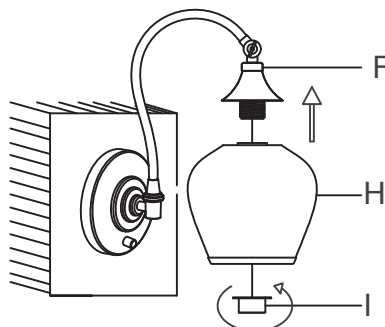
Step 4.

Push up the canopy (B) to cover Bracket (A) properly and fasten with the 2 screws (C) separately to tighten.



Step 5.

Socket ring (I) comes pre-assembled to the socket. Before assembling the shade, please unscrew this socket ring (I). Set shade (H) onto socket and tighten clockwise with socket ring (I) to secure shade.



PARTS DIAGRAM:

- (3) Screw (D)
- (4) Wire nut (E)

A note on packaging: Due to the fragile nature of this product, we have chosen to use Styrofoam only where it is needed to protect it and deliver the best quality product to our customer. We are aiming to reduce the use of plastic and styrofoam in the packaging of our products where possible and are investigating more environmentally friendly alternatives to use. We hope you enjoy your purchase!