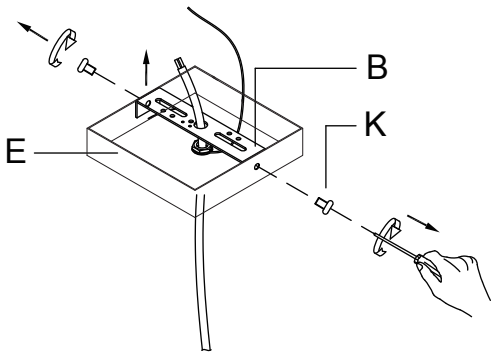


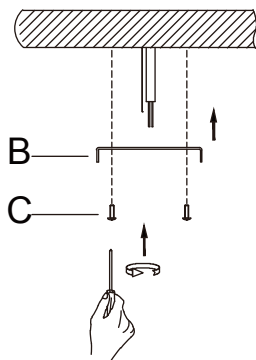
# Dalton Pendant

Model # 3851-21

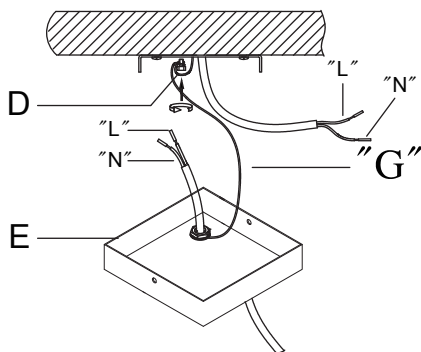
1.



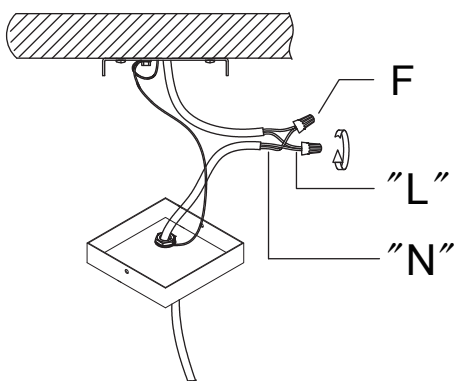
2.



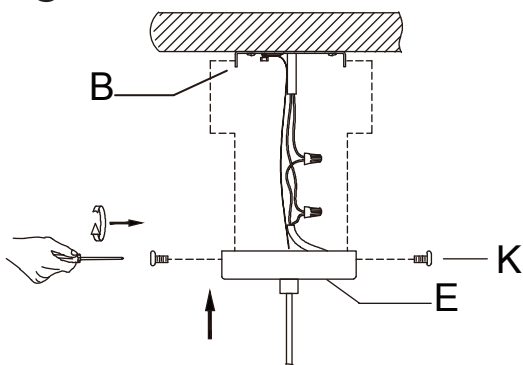
3.



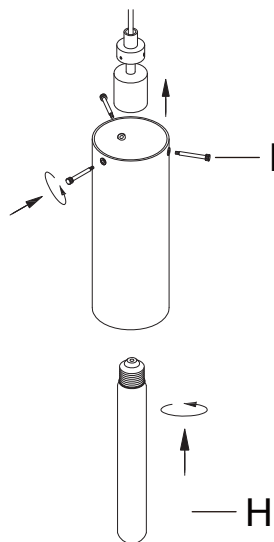
4.



5.



6.



**BEFORE STARTING- SHUT OFF BREAKER AT MAIN DISCONNECT**

Make sure all power is disconnected at existing fixture and that there are no live wires in the junction box. Not all junction boxes include simple wiring. If you are unsure or have doubts of electrical connection, call an electrician for assembly.

1. Remove all items from the packaging. Twist both ground wire in your home and in canopy to green screw (D). Fasten screw (D) to bracket to tighten. Remove 2 (K) screws from the canopy (E) Remove Bracket (B)
2. Find your ground wire, hot wire and neutral wire in your junction box and pull them through the central round hole of bracket. Fasten Bracket (B) into junction box with 2 screws (C) to tighten.
3. Twist both ground wire in your home and in canopy to green screw (D). Fasten screw (D) to bracket to tighten.
4. Attach the neutral fixture wire (N) from the pendant to the neutral wire in junction box (usually white). Attach the hot fixture wire (L) from the pendant to the hot wire in junction box (usually black). Cover the connected wires with part (F) - tighten each connection by turning clockwise.
5. Push up the canopy (E) to cover Bracket (B) properly and fasten with the 2 screws (K) separately to tighten.
6. Attach the shade to the shade holder cup, then fasten the screws (I) clockwise into to the cup. Screw the bulb (H) clockwise into the socket.

**GENERAL PRODUCT INFORMATION:**

This product is suitable for dry locations only.



**IMPORTANT SAFETY INSTRUCTIONS:**

This portable lamp has a polarized plug (one blade is wider than the other) as a feature to reduce the risk of electric shock. This plug will fit in a polarized outlet only one way. If the plug does not fit fully in the outlet, reverse the plug. If it still does not fit, contact a qualified electrician. Never use with an extension cord unless plug can be fully inserted. **DO NOT ALTER THE PLUG.**

**BULB TYPE:** (1) 40 watt Type T vintage bulb (included)

**PARTS DIAGRAM:**

- (2) part (F)
- (2) screws (C)
- (2) screws (I)