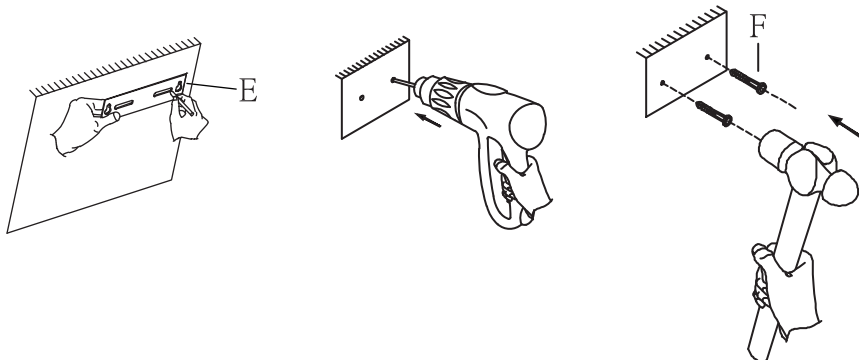


Dalton Wall Lamp

Model # 3850-21

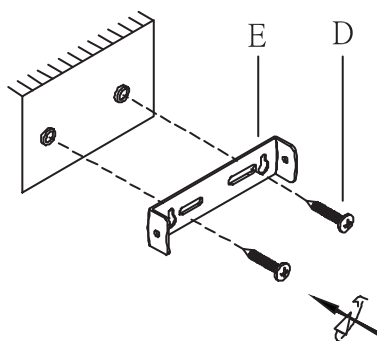
1.



1. Remove all items from packaging. Drill 2 light holes in the wall and then nail the plastic bolts (F) into wall.

Note : Take off the mounting plate (E) from lamp assembly (C) and then place it to the wall. Use the mounting plate (E) to get the spacing for the holes correct on the item before marking the walls and drilling.

2.

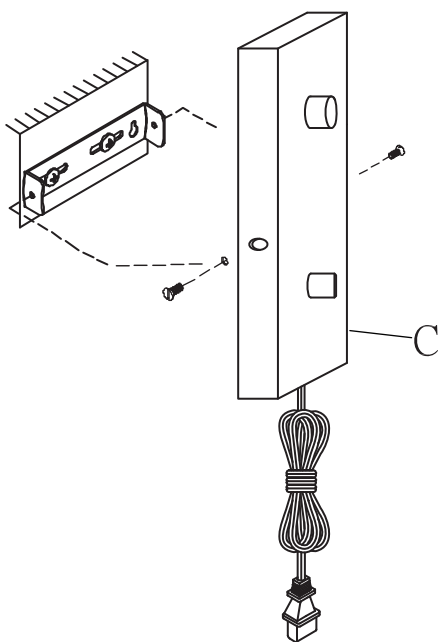


2. Align holes in mounting plate (E) with holes in plastic bolts (F) and attach with 2 screws (D). Secure screws (D) with a phillips head screwdriver.

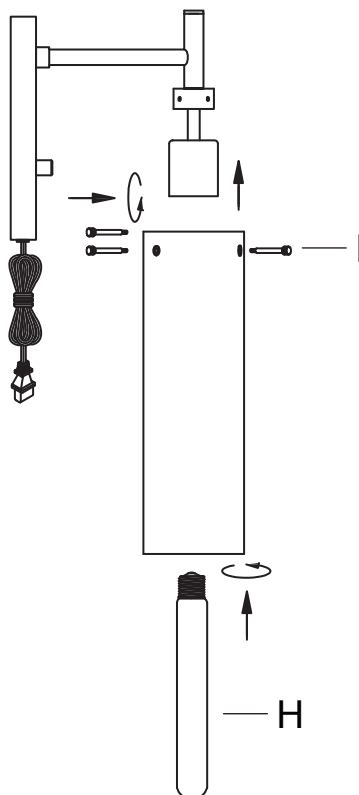
3. Push lamp assembly (C) over the mounting plate (E) until it is flush with the wall. Align holes in lamp assembly (C) with holes in mounting plate (E) and secure with 2 screws (G).

4. Attach the shade to the shade holder cup, then fasten the screws(I) clockwise into to the cup. Screw the bulb(H) clockwise into the socket.

3.



4.



GENERAL PRODUCT INFORMATION:

This product is suitable for dry locations only.



IMPORTANT SAFETY INSTRUCTIONS:

This portable lamp has a polarized plug (one blade is wider than the other) as a feature to reduce the risk of electric shock. This plug will fit in a polarized outlet only one way. If the plug does not fit fully in the outlet, reverse the plug. If it still does not fit, contact a qualified electrician. Never use with an extension cord unless plug can be fully inserted. DO NOT ALTER THE PLUG.

BULB TYPE:Type T vintage bulb(included)

PARTS DIAGRAM:

- (2) plastic bolts
- (2) screws
- (2) screws (I)