

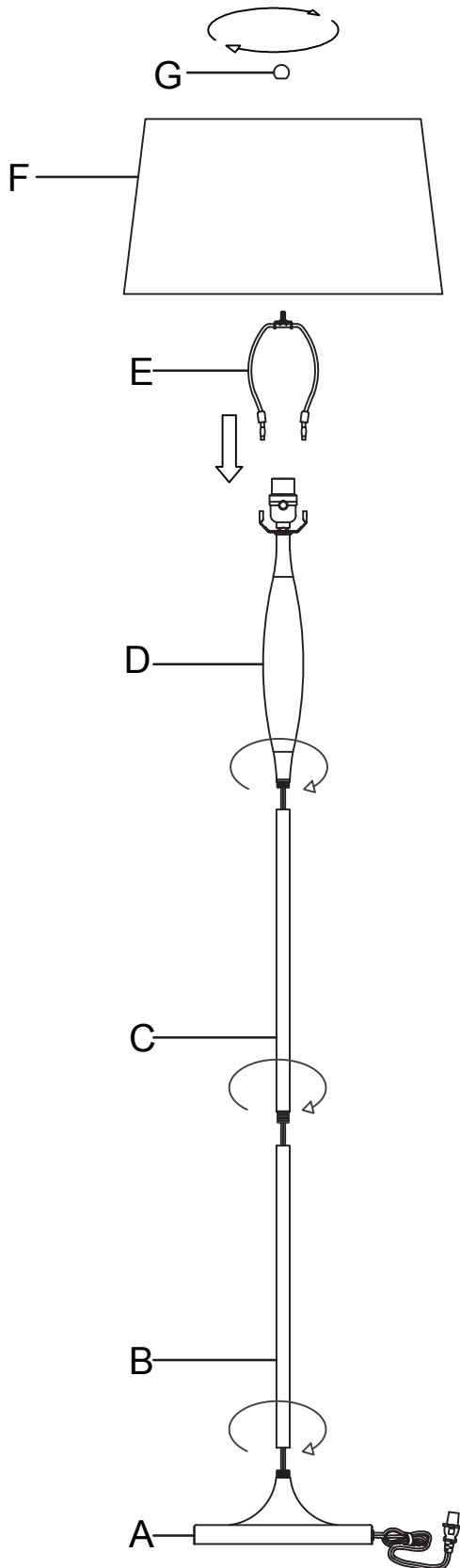
ASSEMBLY INSTRUCTIONS FOR Pinn Floor Lamp

Model # 3595-21
3595-22

3595-21 1.0
3595-22



ADESSO®



1. Screw pole(B) clockwise onto base(A) to tighten.
2. Screw pole(C) clockwise onto pole(B) to tighten.
3. Screw pole(D) clockwise onto pole(C) to tighten.
4. Attach the harp(E) on the socket.
5. Set the shade(F) on the harp and tighten clockwise with the finial(G).

GENERAL PRODUCT INFORMATION:

This product is suitable
for dry locations only.



IMPORTANT SAFETY INSTRUCTIONS:

This portable lamp has a polarized plug (one blade is wider than the other) as a feature to reduce the risk of electric shock. This plug will fit in a polarized outlet only one way. If the plug does not fit fully in the outlet, reverse the plug. If it still does not fit, contact a qualified electrician. Never use with an extension cord unless plug can be fully inserted. **DO NOT ALTER THE PLUG.**

BULB TYPE: (1) 150 watt maximum 3-way incandescent or 18 watt 3-way maximum equivalent LED bulb.(not included)