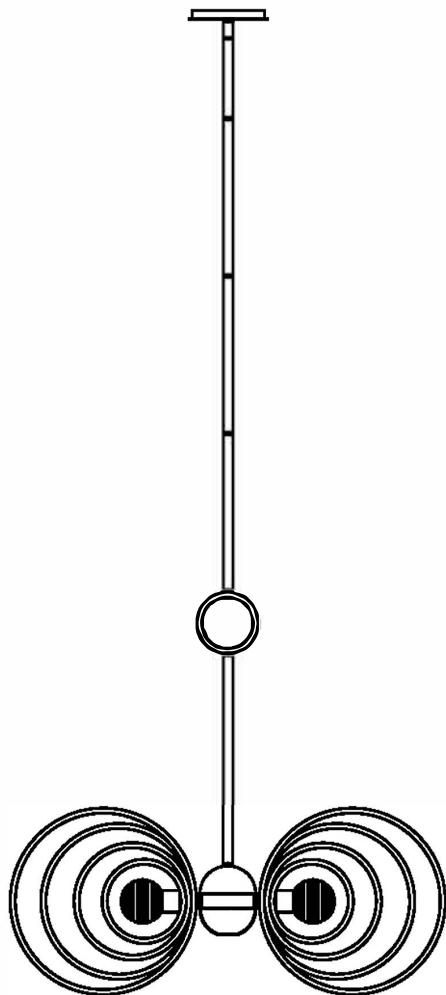


STUDIO•M

PRODUCT NAME: Frequency
ITEM NUMBER: SM23636

Please consult your electrician for hanging fixture and wiring.



Caution: Xenon bulbs get very hot and may burn you. Always make sure bulbs are off for a minimum of 10 minutes before handling. Fixture may be dimmed using an electronic low voltage dimmer.

The fixture is designed to dim with a standard Triac forward phase dimmer. Dimming levels will vary by dimmer. Below is a list of recommended dimmers:

- Lutron MACL-153M
- Lutron DVL-153P
- Lutron SCL-153P
- Leviton IPL06-10Z
- Leviton 6674-POW

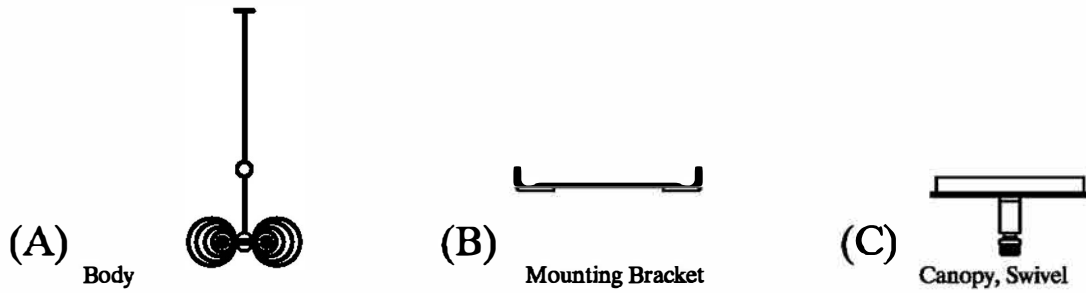
Due to inrush current, wattage should not exceed 150 Watts of product for a 600 Watt dimmer.

Bulb(included): 6 x G9 LED 2.9W + 1 x MR11 4W

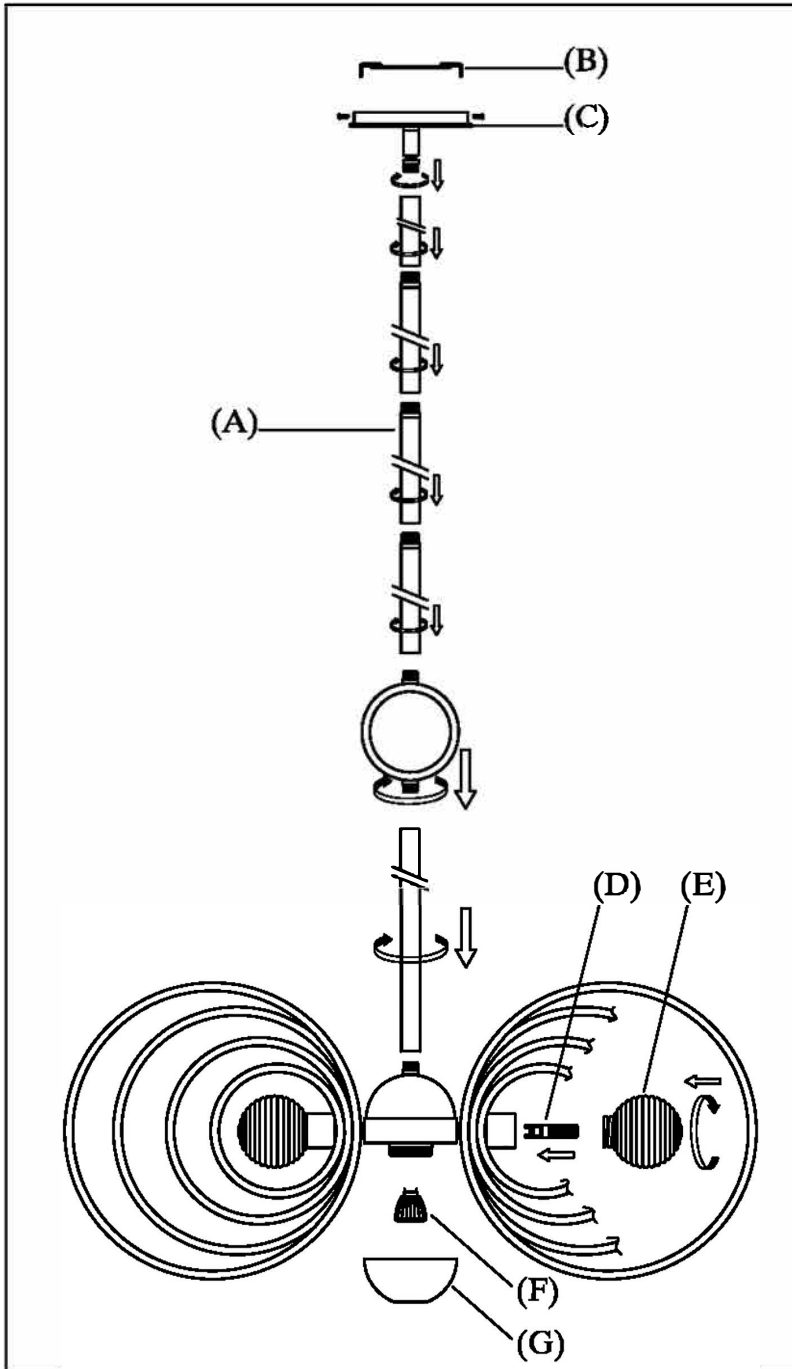
MADE IN CHINA

Page 1 of (3)

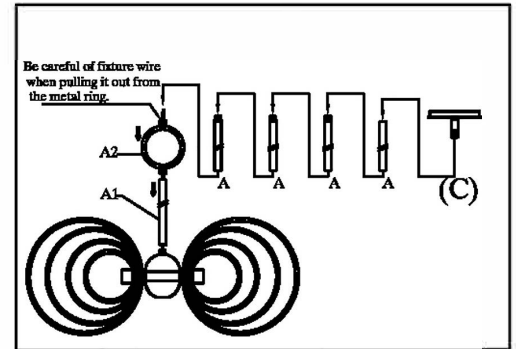
IMPORTANT: Turn off the power at the main fuse of circuit breaker box before starting installation



Locate all hardware & components before discarding packaging



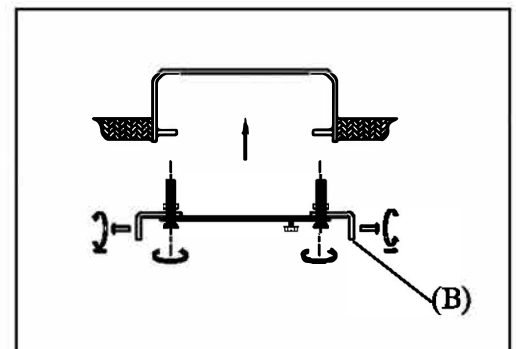
1.)



Step 1: Rod Connections:

- a. Secure rod (A1) and the metal ring (A2) onto the fixture. Carefully feed wire from bottom and pull through top of the ring (A2). Turn ring (A2) the opposite direction of threading onto pipe so to not twist wire.
- b. Run wire through the stems (A) and combine stem lengths to desired mounting height.
- c. Run wire through canopy (C) and connect stems (A) to swivel.

2.)

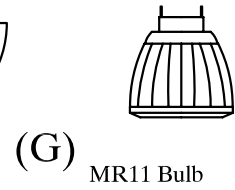
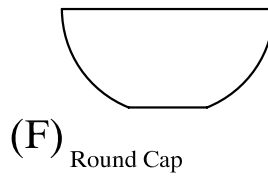
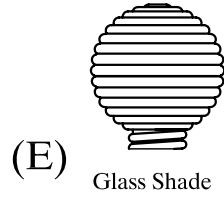
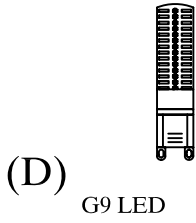


step2: Attach the mounting bracket to the outlet box by using two mounting screws.

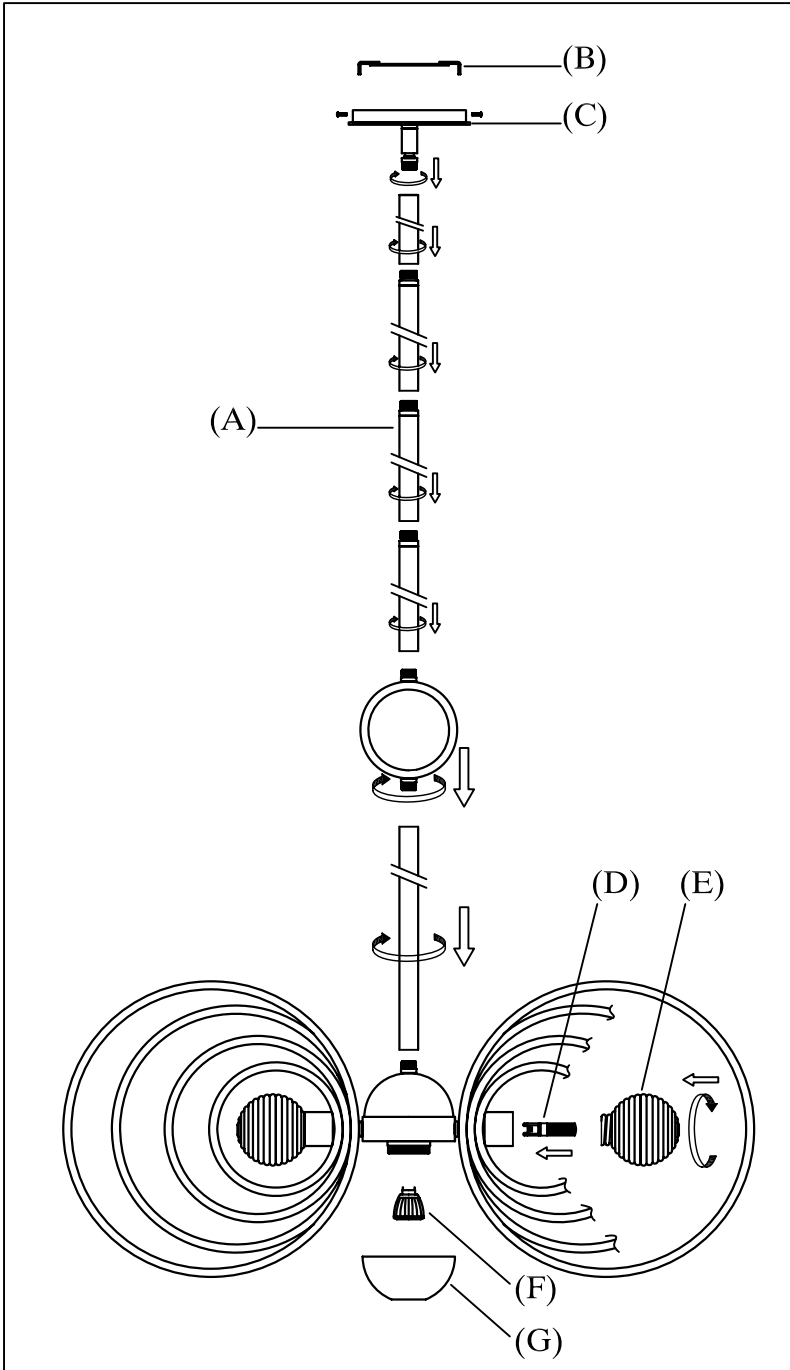
Cleaning & Care:

Clean with soft cloth and a mild detergent.
Do not use abrasive cleaner.

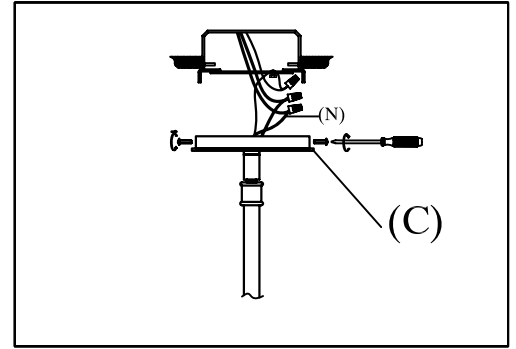
IMPORTANT: Turn off the power at the main fuse of circuit breaker box before starting installation



Locate all hardware & components before discarding packaging

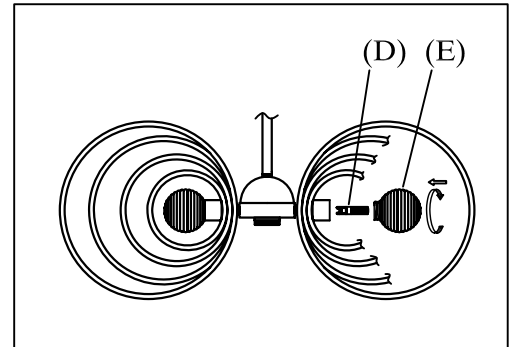


3.)



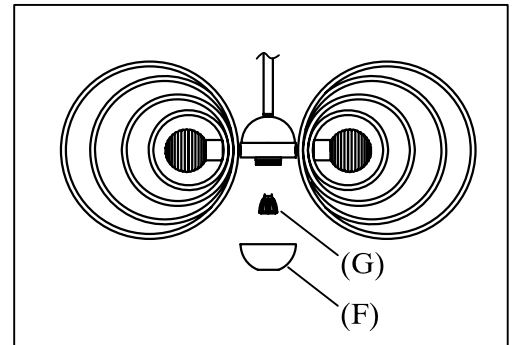
Step 3: Wire fixture to wires found in the electrical box. Install copper wire to mounting screw. Install fixture to mounting bracket, and tighten screws on the sides of the canopy to secure.

4.)



step 4: Fix G9 LED bulb and attach the glass on socket.

5.)



step 5: Fix MR11 bulb on socket, and finally, secure the round cap tightly.

Cleaning & Care:

Clean with soft cloth and a mild detergent.
Do not use abrasive cleaner.