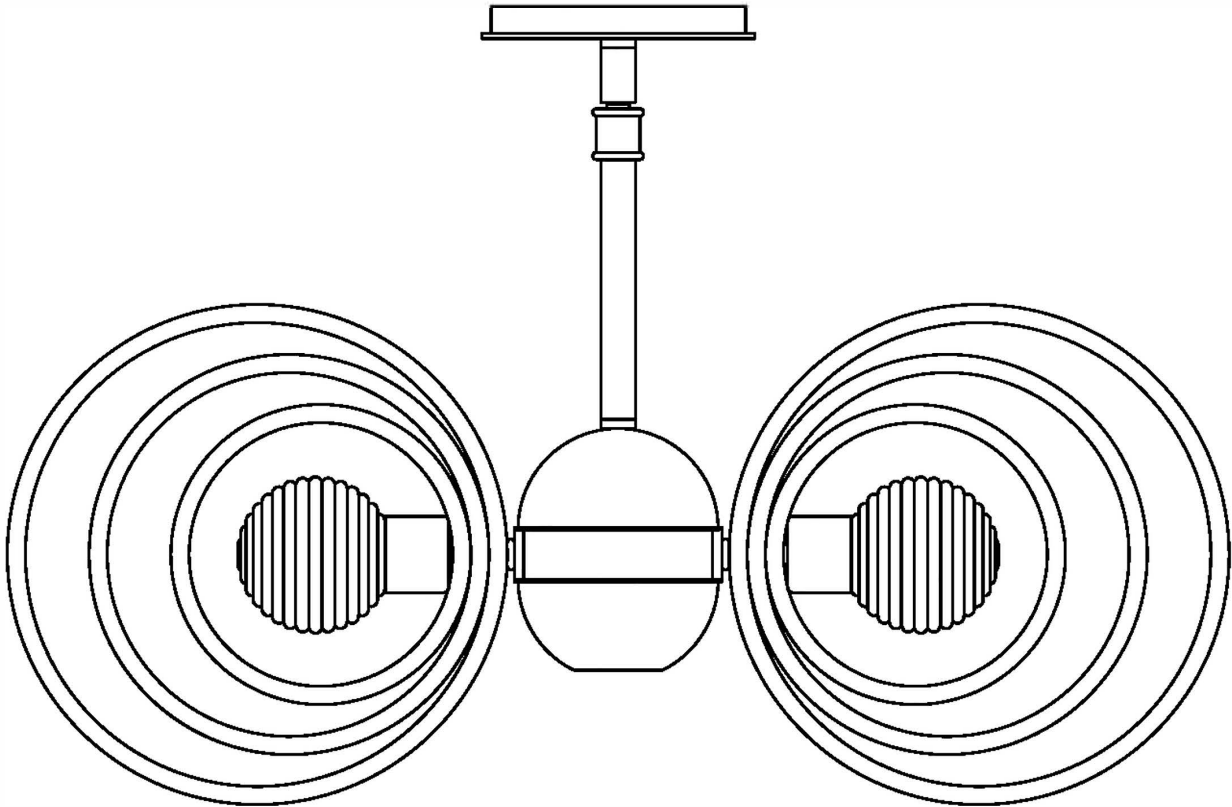


STUDIO•M

PRODUCT NAME: Frequency
ITEM NUMBER: SM23634

Please consult your electrician for hanging fixture and wiring.



Caution: Xenon bulbs get very hot and may burn you. Always make sure bulbs are off for a minimum of 10 minutes before handling. Fixture may be dimmed using an electronic low voltage dimmer.

The fixture is designed to dim with a standard Triac forward phase dimmer. Dimming levels will vary by dimmer. Below is a list of recommended dimmers:
Lutron MACL-153M
Lutron DVL-153P
Lutron SCL-153P
Leviton IPL06-10Z
Leviton 6674-POW

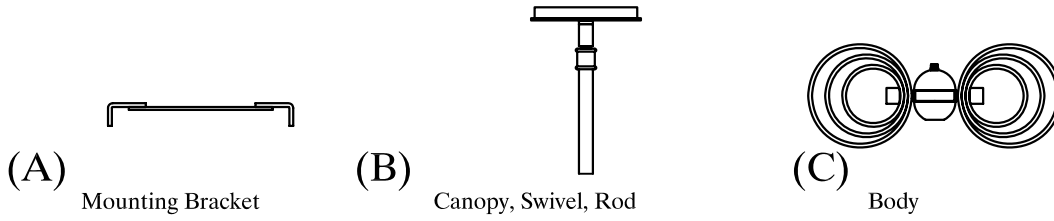
Due to inrush current, wattage should not exceed 150 Watts of product for a 600 Watt dimmer.

Bulb(included): 5 x G9 LED 2.9W + 1 x MR11 4W

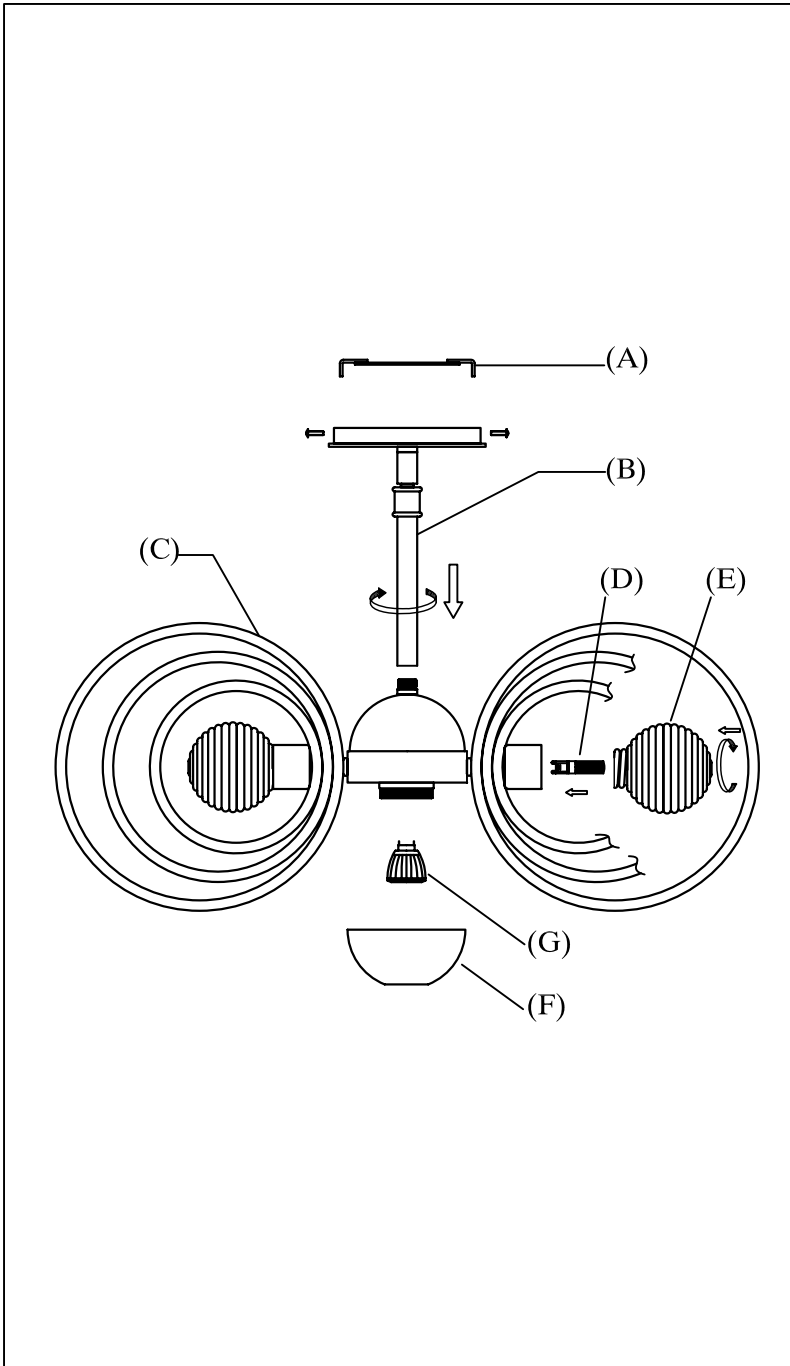
MADE IN CHINA

Page 1 of (3)

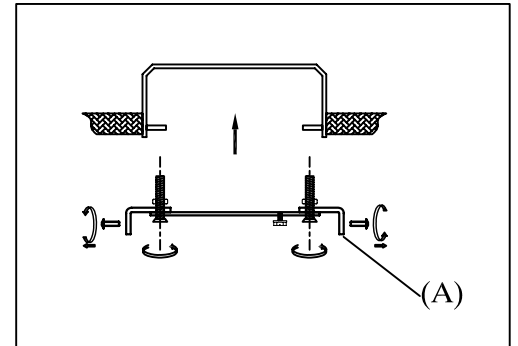
IMPORTANT: Turn off the power at the main fuse of circuit breaker box before starting installation



Locate all hardware & components before discarding packaging

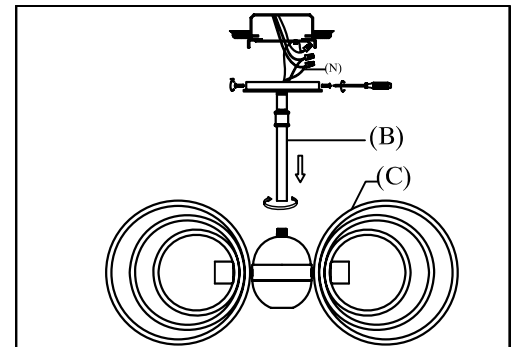


1.)



step1: Attach the mounting bracket to the outlet box by using two mounting screws.

2.)



step2: Thread the rod (B) of canopy to fixture, and then secure it by threaded pipe.

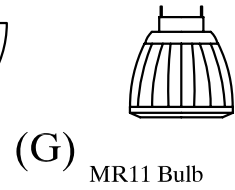
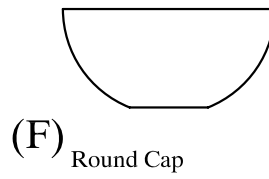
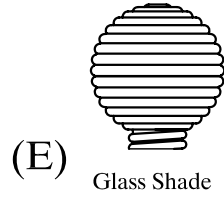
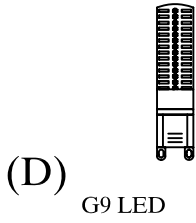
Lift fixture body up, and make wires connections using wire nuts.

Place the canopy to the mounting bracket mark the target, and then secure it with two fixtures mounting screws from the side.

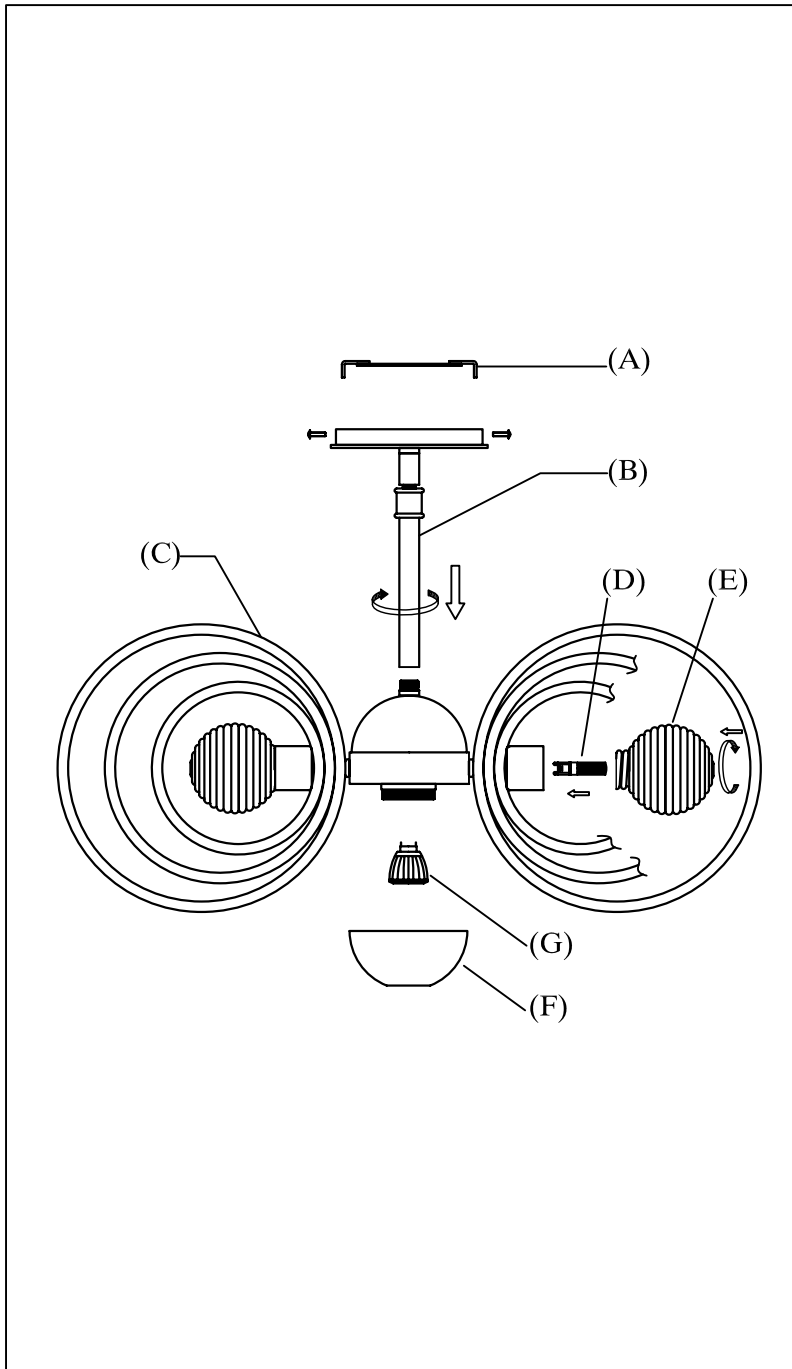
Cleaning & Care:

Clean with soft cloth and a mild detergent.
Do not use abrasive cleaner.

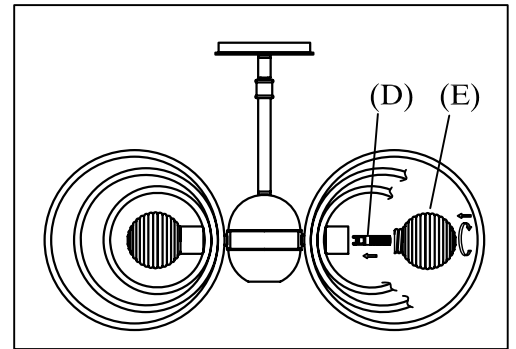
IMPORTANT: Turn off the power at the main fuse of circuit breaker box before starting installation



Locate all hardware & components before discarding packaging

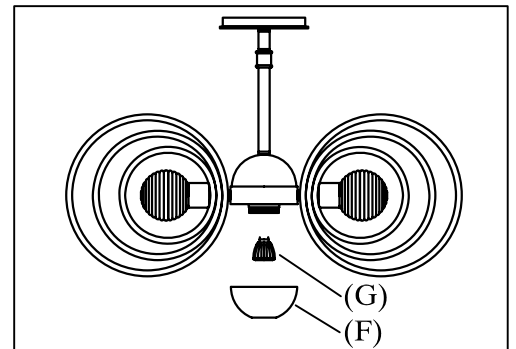


3.)



step3: Fix G9 LED bulb and attach the glass on socket.

4.)



step4: Fix MR11 bulb on socket, and finally, secure the round cap tightly.

Cleaning & Care:

Clean with soft cloth and a mild detergent.
Do not use abrasive cleaner.