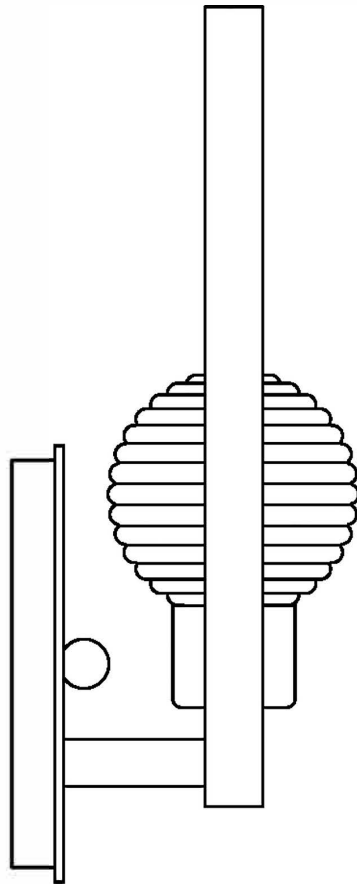


STUDIO•M

PRODUCT NAME: Frequency ITEM
NUMBER:SM23631 SM23632

Please consult your electrician for hanging fixture and wiring.



Caution: Xenon bulbs get very hot and may burn you. Always make sure bulbs are off for a minimum of 10 minutes before handling. Fixture may be dimmed using an electronic low voltage dimmer.

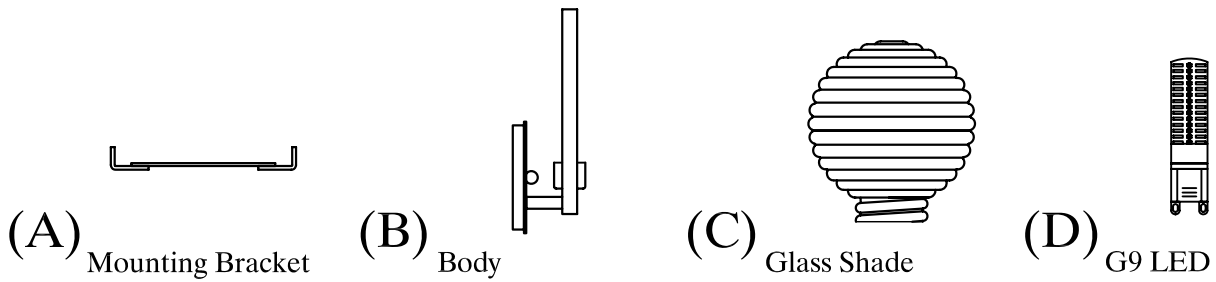
This fixture is designed to dim with an Electronic Low Voltage dimmer. Dimming levels will vary by dimmer. Below is a List of Recommended Dimmers:

Lutron MACL-153M
Leviton IPL06-10Z

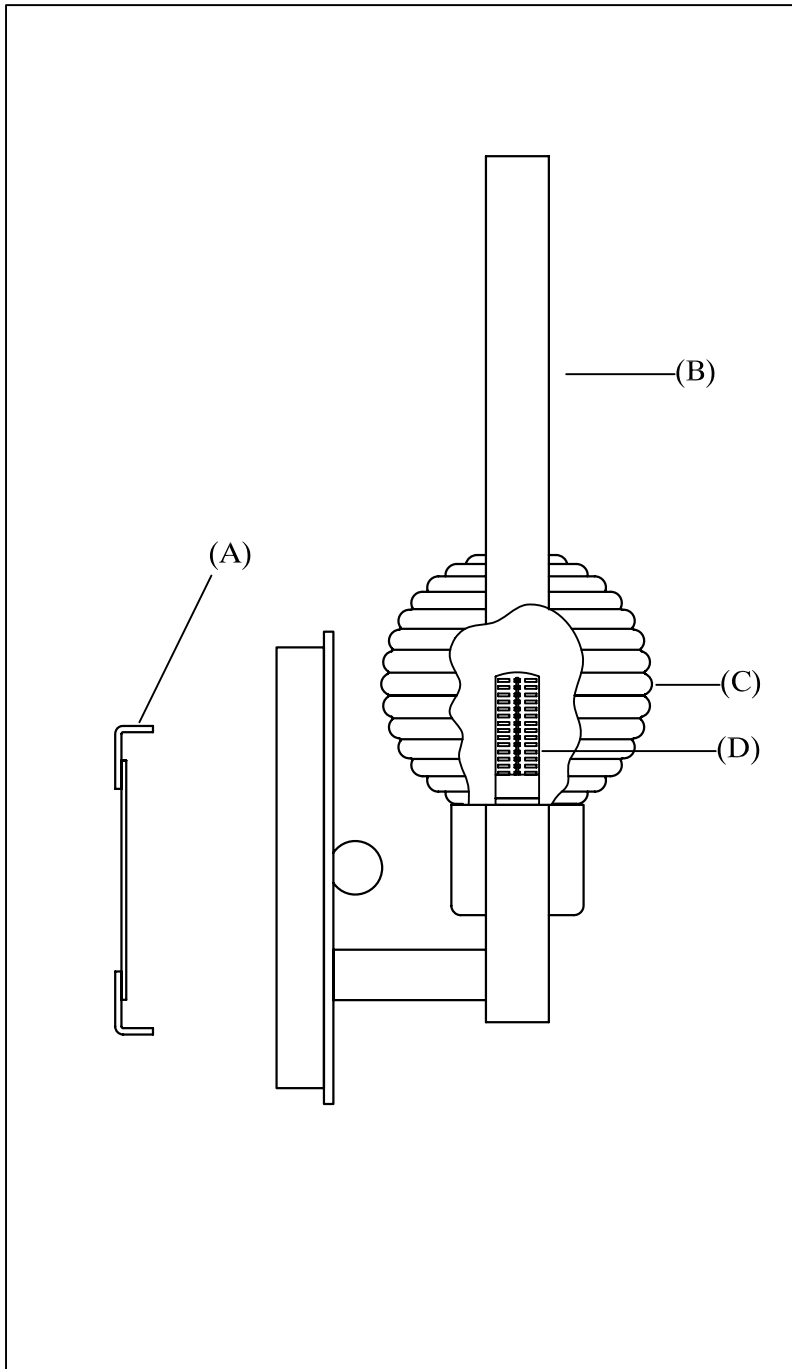
Due to inrush current, wattage should not exceed 150 Watts of product for a 600 Watt dimmer.

Bulb(included): 1 x G9 LED 2.9W

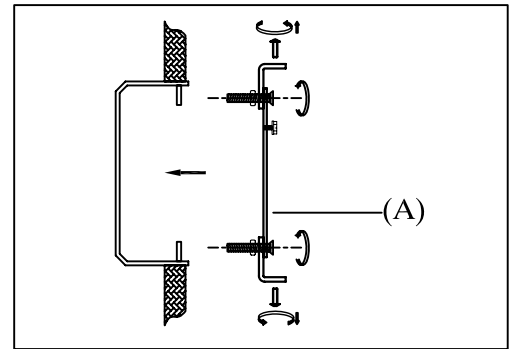
IMPORTANT: Turn off the power at the main fuse of circuit breaker box before starting installation



Locate all hardware & components before discarding packaging

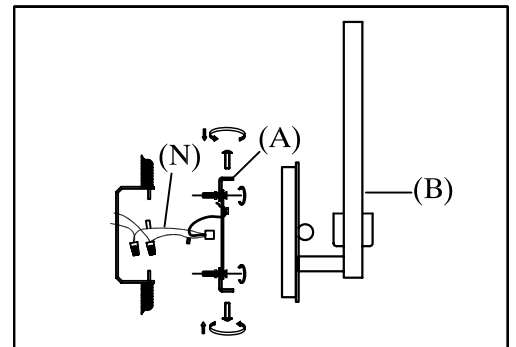


1.)



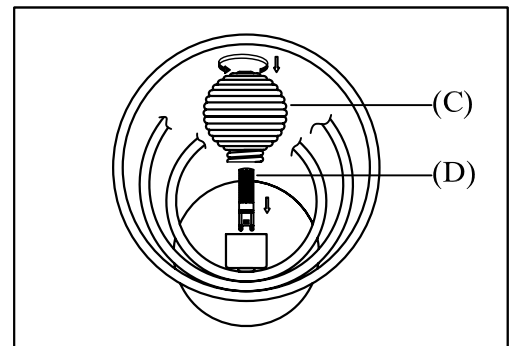
step1: Attach the mounting bracket to the outlet box by using two mounting screws.

2.)



step2: Pull out the source wires from the outlet box. Make wire connections using wire nuts. Attach the fixture grounding wire to the mounting bracket with the green grounding screw, and then connect it to the house grounding wire with a wire nut. Then, attach the body to the mounting bracket, and secure it with two nuts from the side.

3.)



step3: Fix G9 LED on socket, and finally, attach the glass on socket.

Cleaning & Care:

Clean with soft cloth and a mild detergent.
Do not use abrasive cleaner.