



LED-Ginger

Joan Gaspar

marset

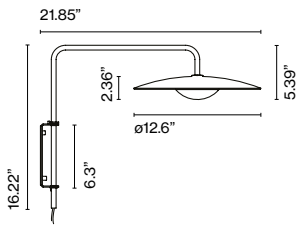


LED-Ginger A (Plug-in)

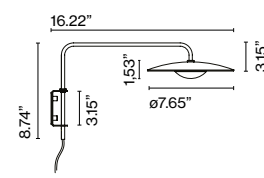
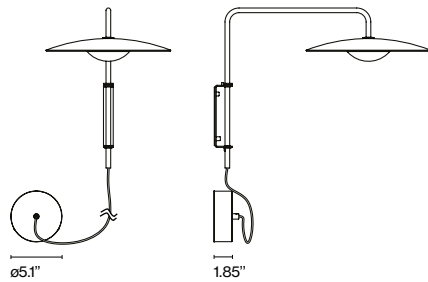
LED-Ginger A (Hardwired)

LED-Ginger 20 A (Plug-in)

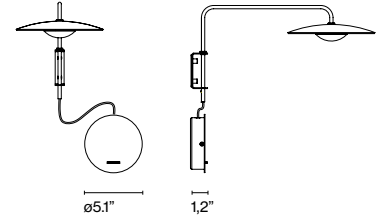
LED-Ginger 20 A (Hardwired)



Cable length - 5ft



Cable length - 5ft



LED-Ginger A

Light Source:
LED SMD 700mA 8.2W 2700K CRI90 913lm
Luminaire:
85 - 264 VAC 14W 350lm (Plug-in)
100 - 120 VAC TRIAC 14W 350lm (Canopy)

LED-Ginger 20 A

Light source:
LED SMD 350mA 4.05W 2700K CRI90 463lm
Luminaire:
85 - 264 VAC 5.7W 161lm

LED included

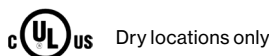
- Oak
- Wenge

Black electrical cord

Dimmer*/Dimmable**

* LED-Ginger A/20 A
Plug-in version only 3-step dimmer

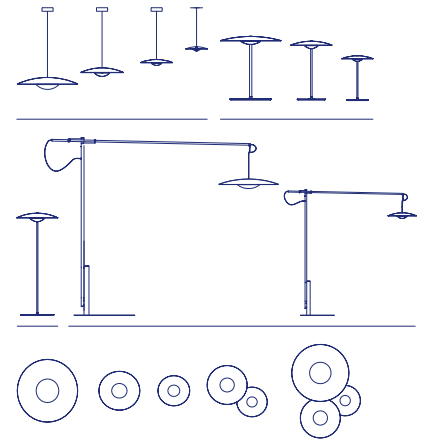
** LED-Ginger A
Hardwired version: triac phase control dimmer
(120V only)



Pressed wood diffuser of 0.16" in natural oak or wenge. Injected aluminum dissipater and metal structure in lacquered black matte.

- [Download](#) Assembly Instructions
- [Download](#) Photometric Data
- [Download](#) 2D
- [Download](#) 3D

Range



WARNING. California Proposition 65 Warning for California Consumers. This product can expose you to chemicals including wood dust and lead which are known to the State of California to cause cancer or birth defects or other reproductive harm. For more information go to www.P65Warnings.ca.gov

Watch the video
marsetusa@marset.com
www.marset.com

This wall version adds a simple folding structure to the lampshade, turning it into the perfect lamp for the head of a bed, to illuminate a reading corner or even to be used as an occasional lamp over a table.

How LED-Ginger illuminates

LED-Ginger 20 A

LED-Ginger A

