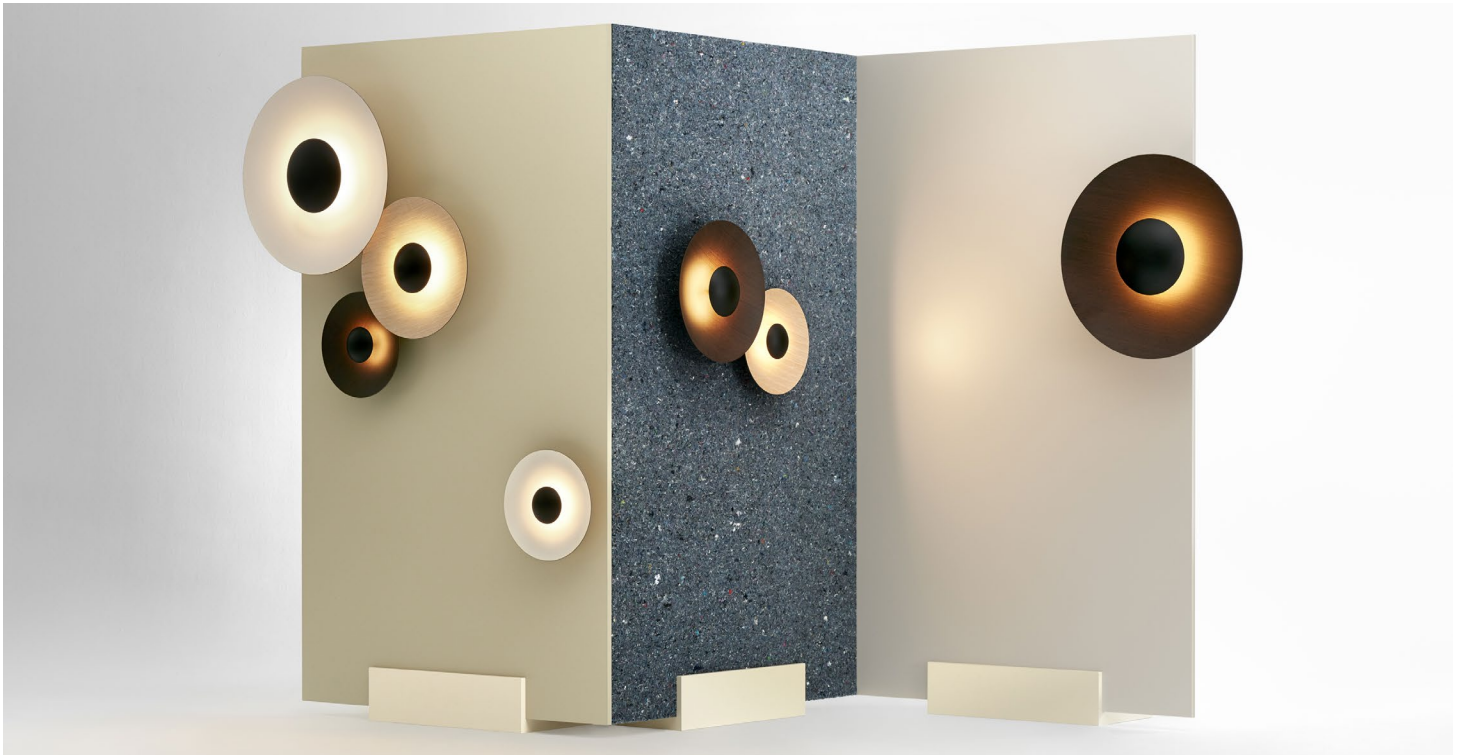


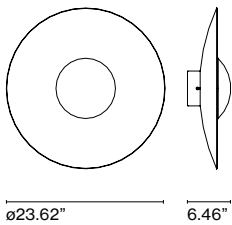
LED-Ginger

Joan Gaspar

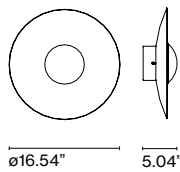
marset



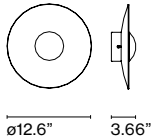
LED-Ginger 60C



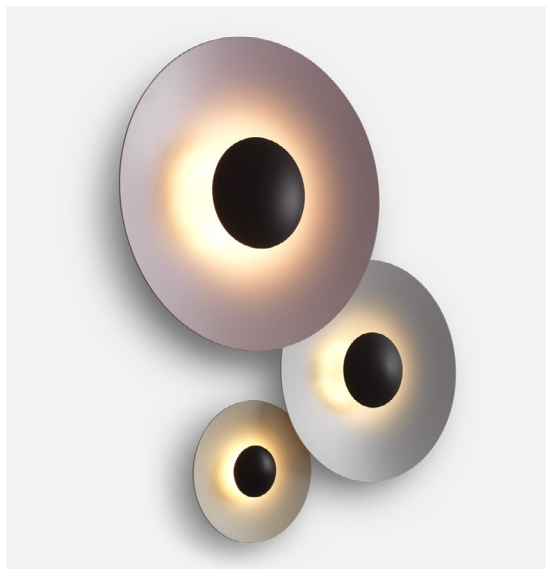
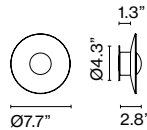
LED-Ginger 42C



LED-Ginger 32C



LED-Ginger 20C



LED-Ginger 20C

Light Source:
LED SMD 350mA 4.05W 2700K CRI90 463lm
Luminaire:
90 - 264 VAC 6W 161lm

LED-Ginger 32C

Light Source:
LED SMD 700mA 8.2W 2700K CRI90 913lm
Luminaire:
100 - 120 VAC TRIAC 14W 350lm
120 - 277 VAC 0-10V 14W 350lm

LED-Ginger 42C

Light Source:
LED SMD 700mA 16.28W 2700K CRI90 1873lm
Luminaire:
90 - 135 VAC TRIAC 21W 698lm
120 - 277 VAC 0-10V 21W 698lm

LED-Ginger 60C

Light Source:
LED SMD 700mA 22.4W 2700K CRI90 2933lm
Luminaire:
Only 120 VAC TRIAC 28W 1165lm
120 - 277 VAC 0-10V 28W 1165lm

Pressed wood diffuser of 0.16 inches in natural oak or wenge. Injected and lacquered black metal matte aluminum dissipater.

- Oak - Oak
- Wenge - Wenge
- Oak - White
- Wenge - White
- Brushed brass - Brushed brass
- Black - White
- Mauve (RAL 010 70 10)
- Sand (RAL 050 85 10)
- Stone Grey (RAL 000 65 00)



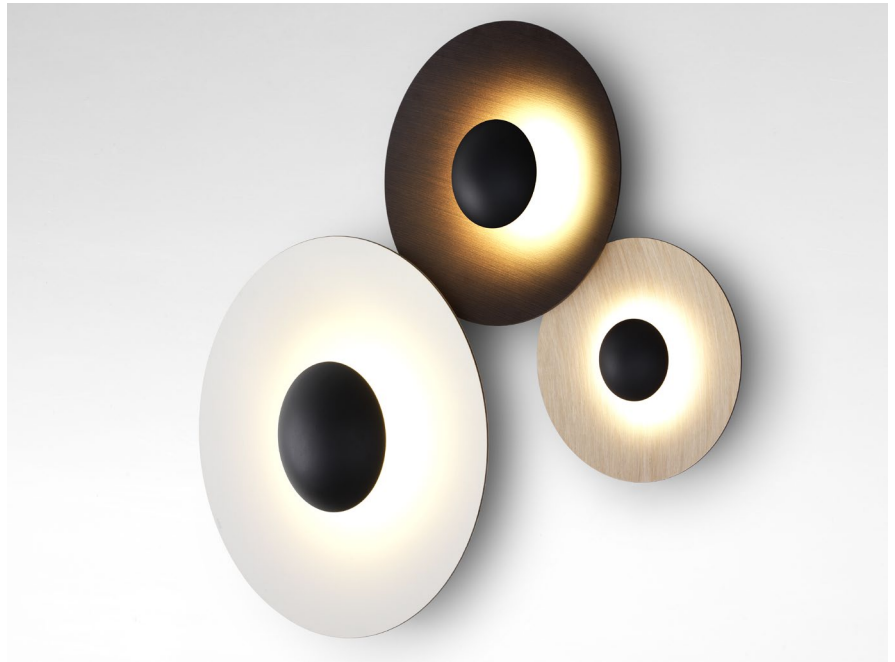
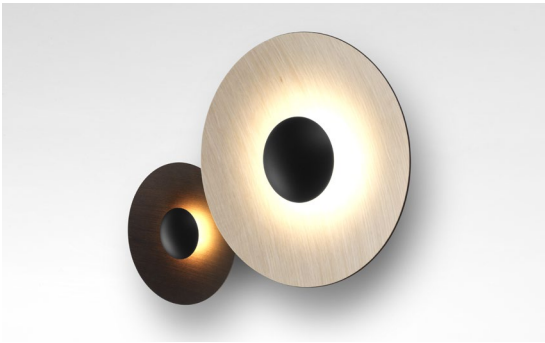
Dry locations only

Dimmable*

*Only C 32, 42, 60

- [Download](#) Assembly Instructions
- [Download](#) 2D
- [Download](#) 3D

Wood is a great ally of cozy lighting. It is a material that is hard to mold, a challenge that the LED-Ginger collection neatly resolves. Within the same collection, LED-Ginger is also published in metal.

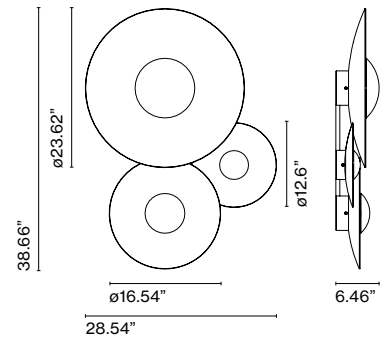
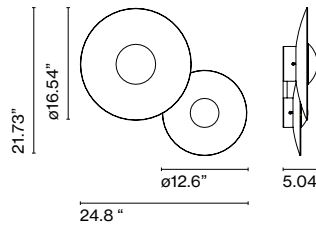
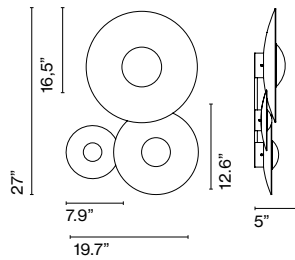
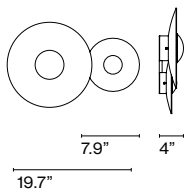


Accessory C2 20/32

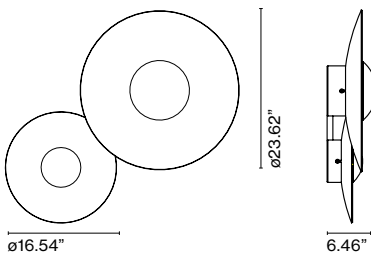
Accessory C3 20/32/42

Accessory C2 32/42

Accessory C3 32/42/60



Accessory C2 42/60



Accessory C2 20/32

Luminaire:
Only 120 VAC TRIAC 20W (max.)
120 - 277 VAC 0-10V 20W (max.)

Accessory C3 20/32/42

Luminaire:
Only 120 VAC TRIAC 30W (max.)
120 - 277 VAC 0-10V 30W (max.)

Accessory C2 32/42

LED SMD 33,2W 700mA 2700K CRI90
Delivered lumens 1048lm
(included)
Triac phase control dimmer / 0-10V

Accessory C3 32/42/60

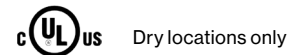
LED SMD 60,2W 700mA 2700K CRI90
Delivered lumens 2213lm
(included)
Triac phase control dimmer / 0-10V

Accessory C2 42/60

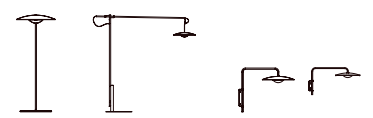
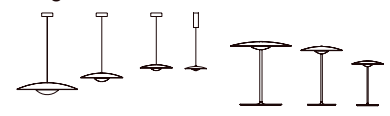
LED SMD 50,2W 700mA 2700K CRI90
Delivered lumens 1863lm
(included)
Triac phase control dimmer / 0-10V

Pressed wood or brushed aluminum diffuser. Injected and lacquered black metal matte aluminum dissipater.

- Oak - Oak
- Wenge - Wenge
- Oak - White
- Wenge - White
- Brushed brass - Brushed brass
- Black - White
- Mauve (RAL 010 70 10)
- Sand (RAL 050 85 10)
- Stone Grey (RAL 000 65 00)



Range

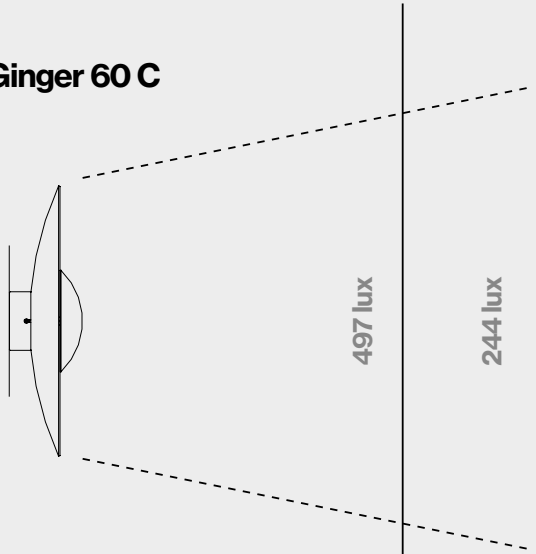


⚠ WARNING. California Proposition 65 Warning for California Consumers. This product can expose you to chemicals including wood dust and lead which are known to the State of California to cause cancer or birth defects or other reproductive harm. For more information go to www.P65Warnings.ca.gov

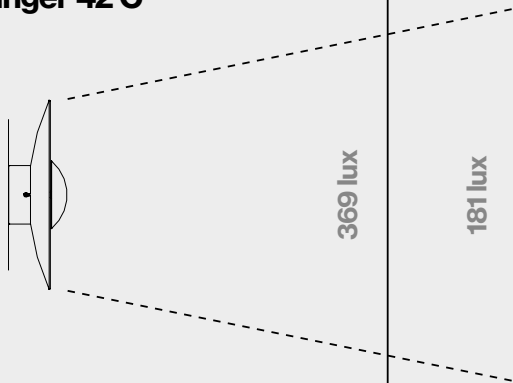
Watch the video
marsetusa@marset.com
www.marset.com

How LED-Ginger illuminates

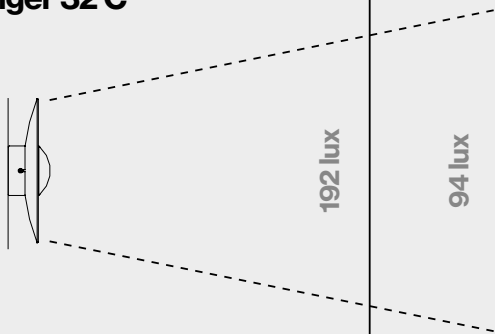
LED-Ginger 60 C



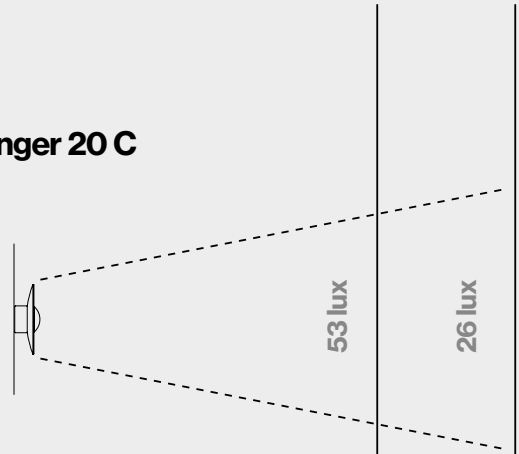
LED-Ginger 42 C



LED-Ginger 32 C



LED-Ginger 20 C



At 27.56"

At 39.37"

At 27.56"

At 39.37"