

DIMMER MODULE / MULTIPOINT LED

ACTION: DIMMER MODULE

RANGE: DIMMER MODULE

Push ON/OFF Rotary Dimmer with multi-location control/dimming capabilities when used with retractive switches, (and when wired in a parallel circuit system).

Please consult with lighting and control expert.

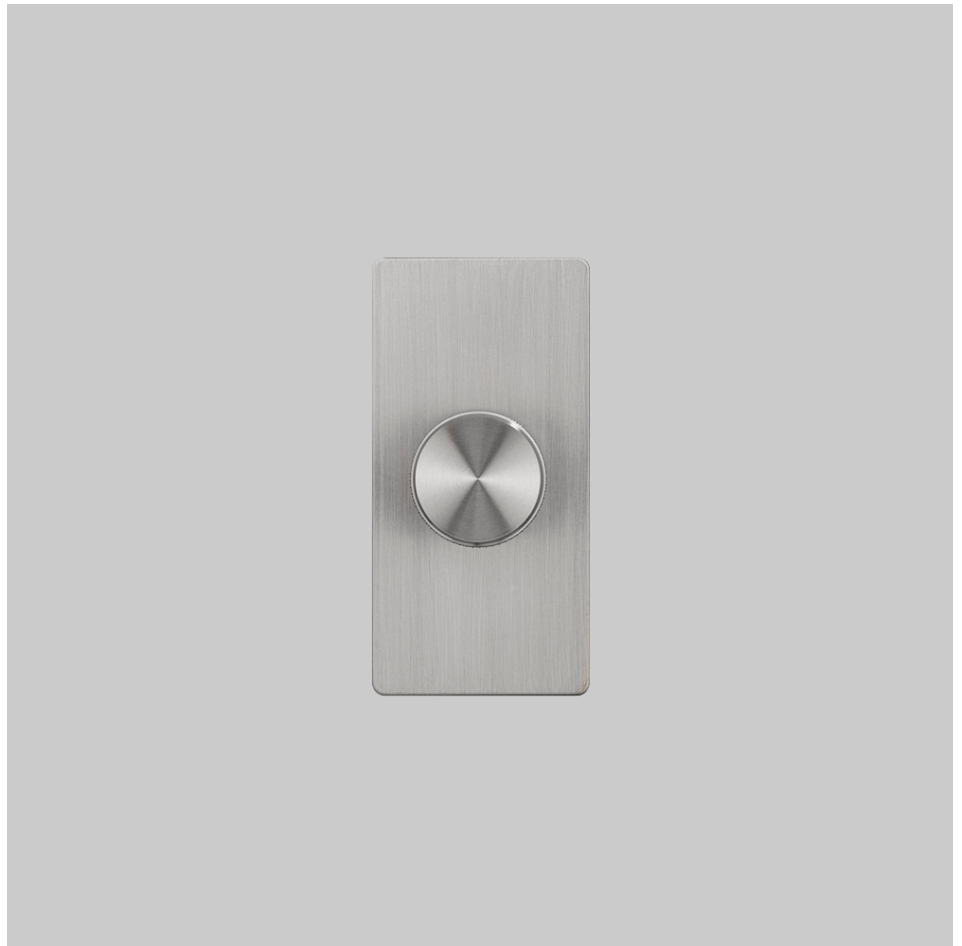
Not for standard circuit installations.

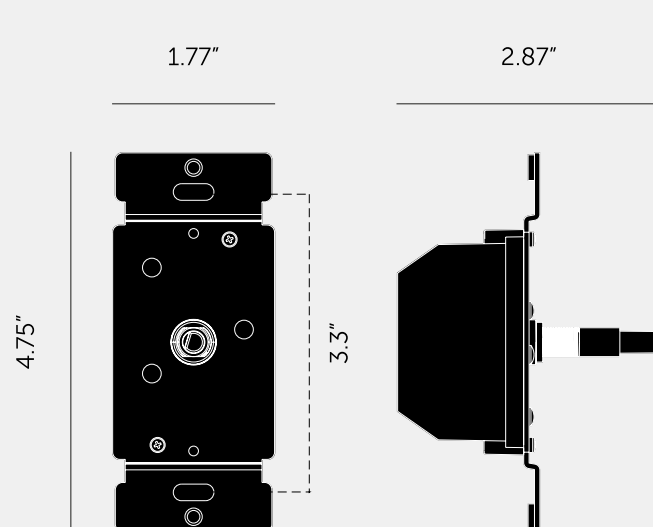
100 - 120V AC 60 HZ

Forward and Reverse Phase (Power ON/OFF override, Auto-Detect & User Over-ride)

HAL / INC 10-300W. LED 5-250W

This dimmer module is compatible with our detail kits. Dimmer modules from other suppliers are not compatible with our detail kits





SPECIFICATIONS

Our Metal Electricity range has solid stainless steel plates, in our signature white, steel, brass, smoked bronze and black finishes.

Style: 1G metal plate + infills.

For use with class 1 modules only / Must be grounded.

Recommended Back Box:

Standard flush mounted 1G back box. See dimensions of chosen module(s) for required back box depth.

INCLUDED

1 X Dimmer Module

FINISH & SKU NUMBERS

sku:	finish:	size:
NDM-013407	● black	

PLEASE NOTE

DISCLAIMER: Always consult a trade professional when installing this product. Buster + Punch is not responsible for the usage or feasibility of installation requirements. This product is not suitable for damp or wet environments.

CARE INSTRUCTIONS

Wipe with a dry lint free cloth with no loose hairs, avoid using any chemicals. Please note that finishes may age naturally with time and regular use.