

**EXHAUST TRACK /
CROSS / GRAPHITE**

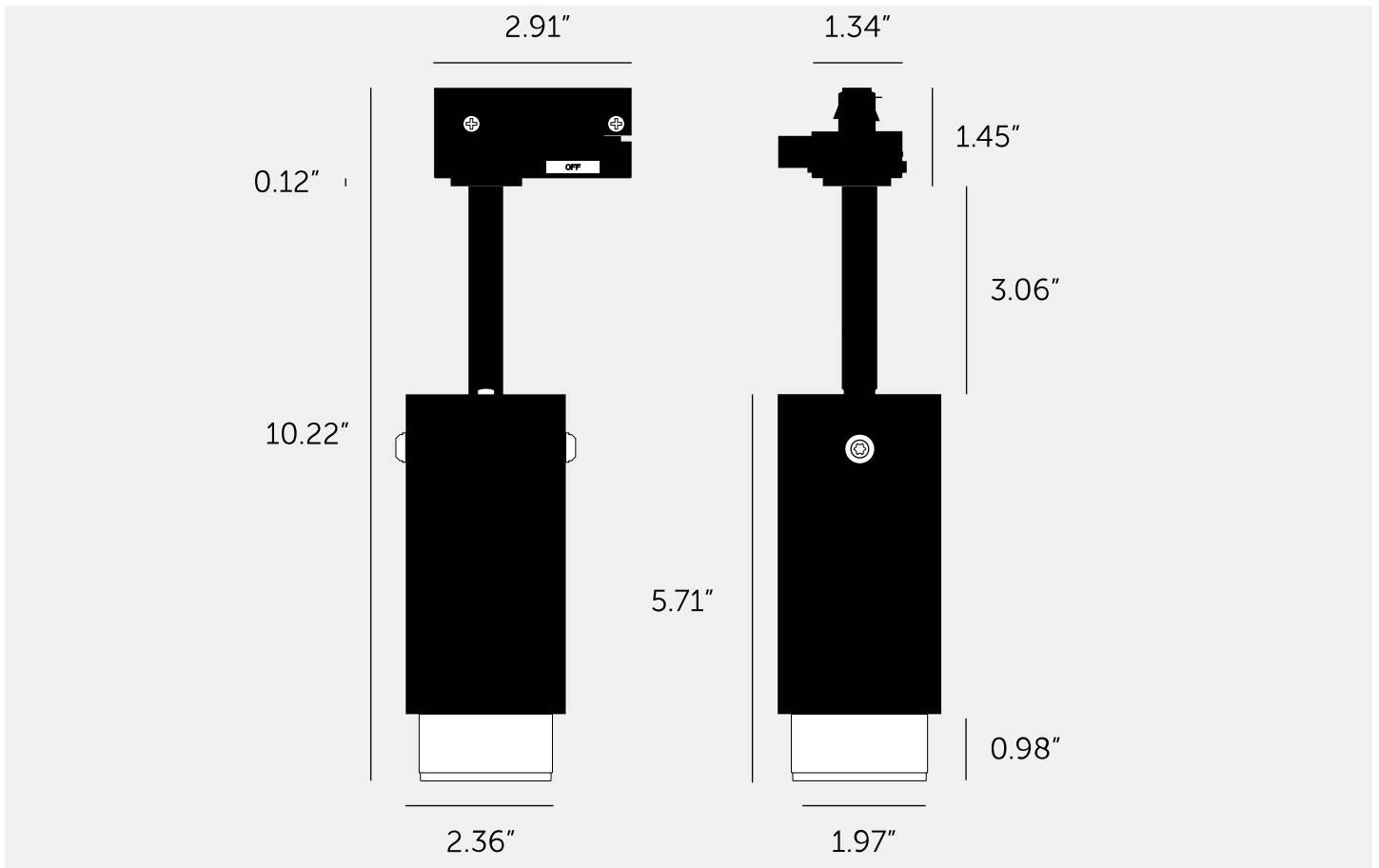
ACTION: SPOTLIGHT

KNURL: CROSS

RANGE: EXHAUST

A track spotlight with a powder coated metal body and solid metal detailing. The spotlight features our signature solid metal cross-knurl baffle and machined torx screws. The baffle captures light and creates a delicate metallic glow, whilst a honeycomb filter delivers precise, low-glare, directional light. This spotlight is fully adjustable and comes with a black, single circuit H-style track adapter, compatible with 3 wire Single circuit track (not supplied by B+P). The spotlight fits a GU10 bulb, sold separately.





SPECIFICATIONS

Track spotlight
 GU10 / 110-120VAC / Dry Locations
 Max 1 x 9W LED GU10 bulb
 *Bulb sold separately
 cULus certified / Class 1

[info. COMPATIBILITY.]

Exhaust track spotlight uses a single circuit H-style adapter. Compatible with 3 wire Single circuit track.

FINISH & SKU NUMBERS

sku:	finish:	size:
NEIG-944041	● black	
NEIG-184042	● brass	
NEIG-614043	● smoked bronze	
NEIG-194044	● steel	

CARE INSTRUCTIONS

Wipe with lint-free cloth with no loose hairs, avoid using any chemicals. Please note all finishes are prone to aging.

INCLUDED

1 x Exhaust Track Body
 1x Exhaust Detail Kit
 1 x Honeycomb Filter
 1 x Ceiling rose extender
 *

* The following come in separate boxes:
 1 x Baffle*
 2 x Torx Screws*

PLEASE NOTE

DISCLAIMER: Always consult a trade professional when installing this Exhaust Spotlight. Buster + Punch is not responsible for the usage or feasibility of installation requirements. This product is not suitable for damp or wet environments.