



Warm

Design by Ramos & Bassols

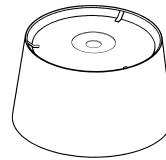
VIBIA
LIGHT IS CREATION

ASSEMBLY INSTRUCTIONS

Version U04

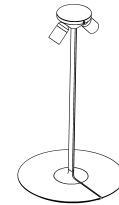
SUPPLIED MATERIAL

1.

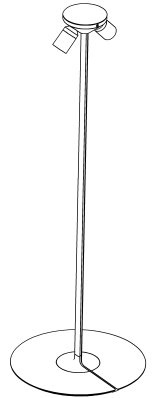


2.

4900 - 4901



4905 - 4906



	4900	4901	4905	4906
1 Shade	1 un.	1 un.	1 un.	1 un.
2 Lighting fixture	1 un.	1 un.	1 un.	1 un.

TECHNICAL SPECIFICATIONS

4900	Net Weight	8.37 lbs		3 x A19 Led Lamp 8W	IP20		~ 50-60 Hz	DRY LOCATION
4901	Net Weight	9.47 lbs		3 x A19 Led Lamp 8W	IP20		~ 50-60 Hz	DRY LOCATION
4905	Net Weight	9.03 lbs		3 x A19 Led Lamp 8W	IP20		~ 50-60 Hz	DRY LOCATION
4906	Net Weight	10.14 lbs		3 x A19 Led Lamp 8W	IP20		~ 50-60 Hz	DRY LOCATION

IP20 Product protected against solid object as big as or bigger than 12mm. No protection against water.

~ Alternating current

Caution

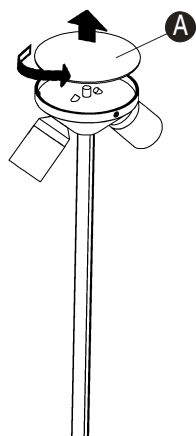
Before assembling and installing this product, carefully read the following:

- Switch off the mains before installing the lamp.
- Always use the recommended bulb
- To install on the ceiling, always choose the most adequate fixing tools for the ceiling material.
- This lamp is for indoor use only, excluding bathrooms or any type of humid surface.
- Make sure your ceiling can support the weight of the lamp.
- We recommend reading the manual before installing the lamp. Keep these instructions for future reference since they contain information on bulb replacing and maintenance.

⚠️ WARNING: The products distributed by Vibia Inc. may contain chemicals known to the State of California to cause cancer and birth defects or other reproductive harms.

For more information go to www.P65Warnings.ca.gov

1

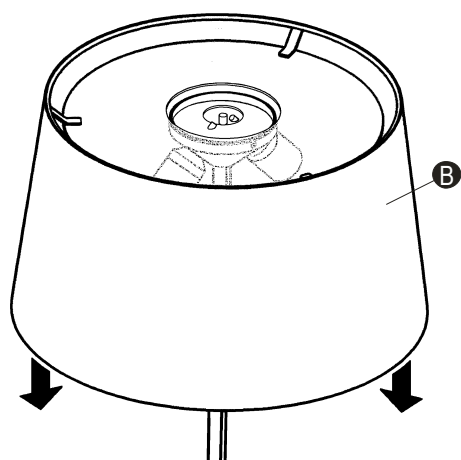


IMPORTANT NOTICE:

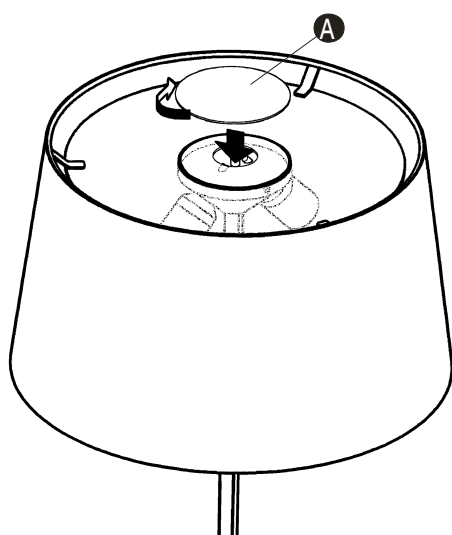
Caution: to avoid possible electrical shock, make certain electricity is shut off at main panel before wiring

1. Loosen and remove the top plate (A).
2. Assemble the shade (B) according to the drawing.
3. Fix the shade screwing the top plate (A) and assembly the indicated bulb.

2



3



Maintenance

- Use a slightly-wet cotton cloth for cleaning.
- In case of malfunction or damage, please contact the retailer who sold the lamp.