

# — claretta

DESIGN CHIARA CABERLON

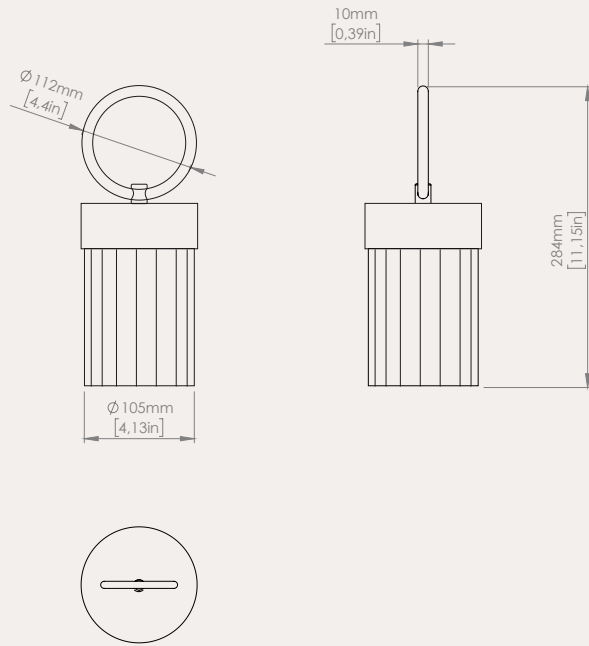


TABLE BATTERY

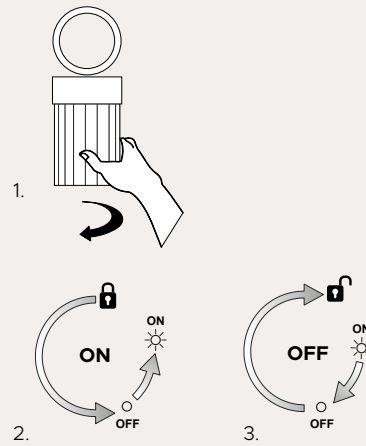
Claretta is the table lamp designed by Chiara Caberlon. Inspired by the portability of the Clara collection, it is crafted to enhance gardens and terraces with style. Thanks to its wireless autonomy and versatile design, Claretta offers elegant and discreet lighting for outdoor spaces, making them ideal for evening gatherings under the stars. Available in four sophisticated finishes, Claretta seamlessly combines functionality and aesthetics, creating enchanting and welcoming atmospheres.

Claretta è la lampada da tavolo firmata Chiara Caberlon. Ispirata alla trasportabilità della collezione Clara, è pensata per valorizzare con stile giardini e terrazze. Grazie alla sua autonomia senza fili e al design versatile, Claretta illumina con eleganza e discrezione spazi all'aperto, rendendoli perfetti per serate conviviali sotto le stelle. Disponibile in quattro raffinate finiture, Claretta unisce funzionalità e bellezza, creando atmosfere suggestive e accoglienti.

TABLE BATTERY



ON - OFF SWITCHING / ACCENSIONE / SPEGNIMENTO

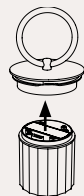


BATTERY

Autonomy: 6/8 hours  
 Life cycles: 600  
 Charging time: 4 hours  
 USB cable type C supplied,  
 power supply not supplied

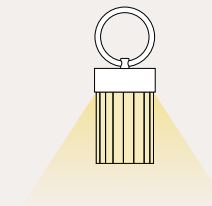
BATTERIA

Autonomia: 6/8 ore  
 Cicli di vita: 600  
 Tempo di ricarica: 4 ore  
 Cavo USB tipo C fornito,  
 alimentatore non fornito



The light source  
 is fixed using magnets  
 Il corpo luminoso si fissa  
 attraverso dei magneti

LIGHT EFFECT / EFFETTO LUMINOSO



LIGHT SOURCE / FONTE LUMINOSA

**220-240V · 110V**  
 1x3 W LED module · 400 Lm  
 3000 K · CRI >90  
 IP65

FINISHES / FINITURE  
 frame / struttura

- golden nickel  
nickel dorato
- bronze-nickel  
bronzonickel
- white lacquered  
laccato bianco
- dark red  
rosso scuro
- terracotta  
terracotta
- sage green  
verde salvia
- turquoise  
turchese

SUMMER EDITION 25

diffuser / diffusore

ribbed plexiglass  
plexiglass rigato

PRODUCT WEIGHT / PESO PRODOTTO

1 kg [2.2 lbs]

PACKAGING / IMBALLI

BOX 1

length / lunghezza 160 mm [0.5"]  
 width / larghezza 160 mm [0.5"]  
 height / altezza 360 mm [14.1"]

weight / peso 2 kg [4.4 lbs]



**CONTARDI LIGHTING Srl**

ITALY HEADQUARTERS  
contardi-italia.com

**CONTARDI USA Inc**

USA BRANCH  
contardi-usa.com

---

Copyright and/or design rights subsist in this drawing. No part of this drawing may be reproduced in any material form (including photocopying or storing in any medium electronic means, whether or not intentionally and whether or not as part or a larger publication) without the express permission of the copyright owner, Contardi Lighting S.r.l.. Further and without prejudice to the above, this drawing and all information relating thereto is confidential, and shall not be communicated to a third party without the consent of Contardi lighting srl. Contardi Lighting Srl asserts all rights to be identified as the author of the work and otherwise.

WARNING: The doing of any unauthorised act in relation to a copyright work may result in both a civil claim for damages and criminal prosecution.