

## ARRAY WALL SINGLE

### FINISH

bronze with satin brass details and opal glass shades

### DIMENSIONS (body of fixture)

120 x 280 x 280 mm (w x d x h)

### WEIGHT

1kg (2.2lbs)

### ILLUMINATION

220-240v - 1 x G9 - 25w (or 2.5w 2700k)

110-130v - 1 x G9 - 25w (or 2.5w 2700k)

### DIMMING

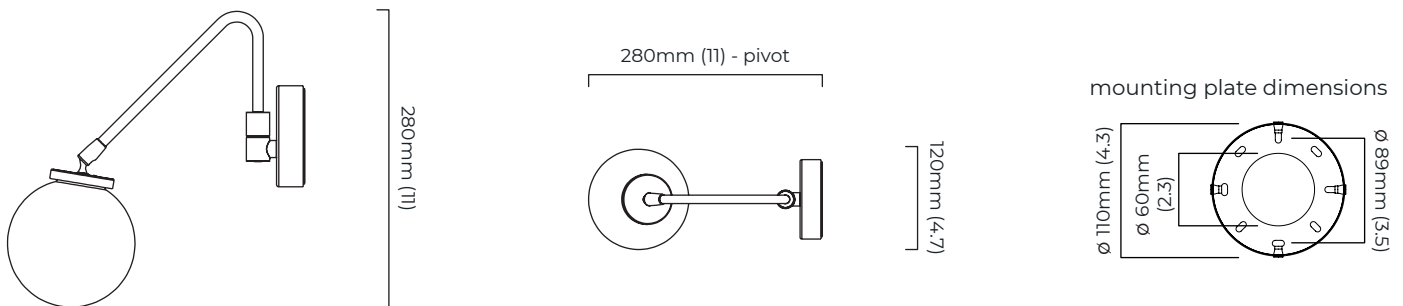
dimnable bulb required

DALI option available (220-240v only)

### CEILING ROSE / PLATE

round ceiling rose -  $\varnothing$  116 x 25 mm (dia x h)

### CERTIFICATION



\*Diagrams are not to scale.

SKU NUMBER	FINISH DESCRIPTION	VOLTAGE
ARRWA1BZOG-240	bronze with satin brass details and opal glass shades	220 - 240V
ARRWA1BZOG-110	bronze with satin brass details and opal glass shades	110 - 130v

## ARRAY WALL SINGLE - DALI-A

### FINISH

bronze with satin brass details and opal glass shades

### DIMENSIONS (body of fixture)

120 x 280 x 280 mm (w x d x h)

### WEIGHT

1kg (2.2lbs)

### ILLUMINATION

220-240v - 1 x G9 - 25w (or 2.5w 2700k)

DALI converter to be installed in the ceiling rose

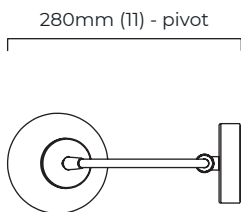
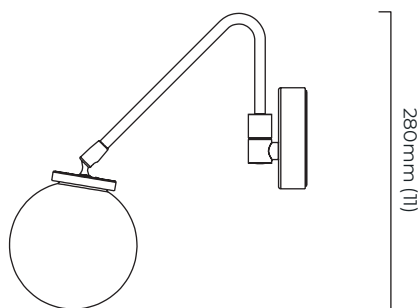
### DIMMING

DALI compatible

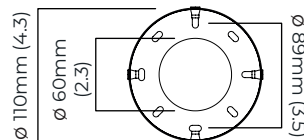
### CEILING ROSE / PLATE

round ceiling rose -  $\varnothing$  116 x 25 mm (dia x h)

### CERTIFICATION



mounting plate dimensions



\*Diagrams are not to scale.

SKU NUMBER	FINISH DESCRIPTION	TYPE OF DALI	VOLTAGE
ARRWAIBZOG-DALIA-240	bronze with satin brass details and opal glass shades	DALI A included - For lights that do not require aesthetic alterations. Dali can be fitted on the existent ceiling/wall rose	220 - 240V