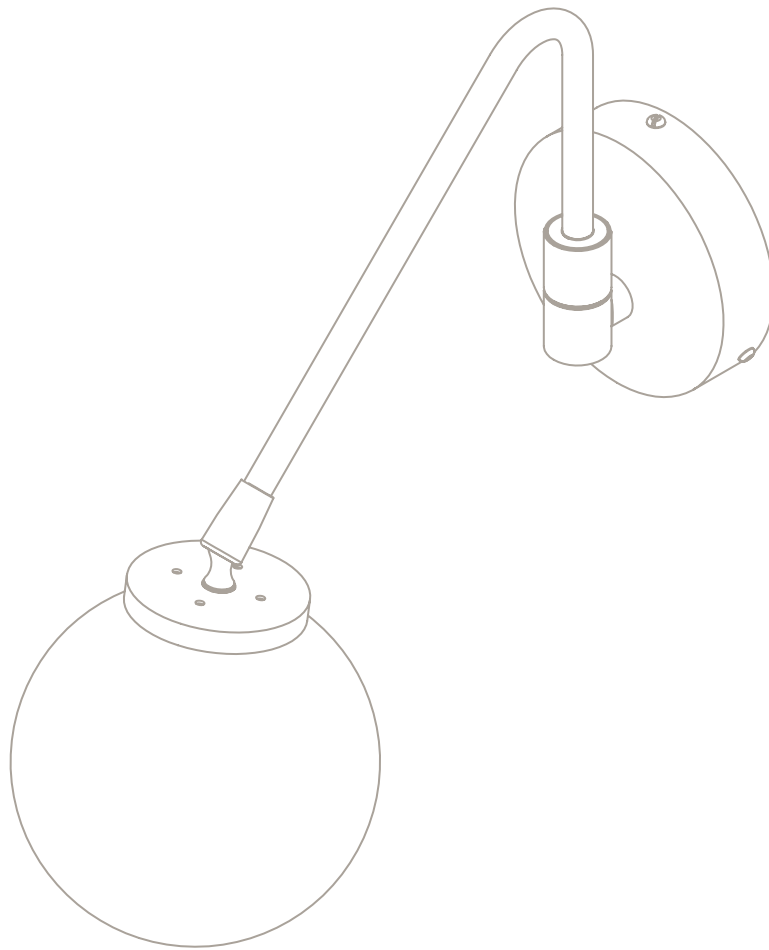


## ARRAY SINGLE OPAL WALL

Installation Guide



!

Please handle with care and wear gloves at all times during assembly and installation to avoid damaging components.

## TECHNICAL

**Bulb Holder**  
240v - 1 x G9  
120v - 1 x G9  
(bulbs not supplied)

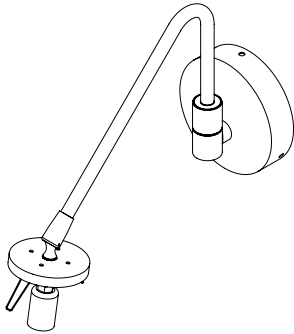
**Wattage**  
25w max halogen  
(or 2.3w LED 2700k)

**Weight**  
1kg (2.2lbs)

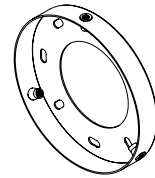
## PARTS & COMPONENTS

- A. 1 x Array Single body
- B. 1 x Wall mounting plate
- C. 1 x Opal glass shade
- D. 3 x M4 screws

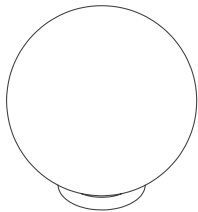
A.



B.



C.



D.

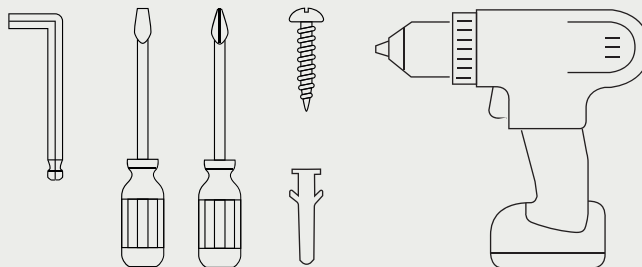


- All nuts and bolts required for the installation will be included in the delivery.



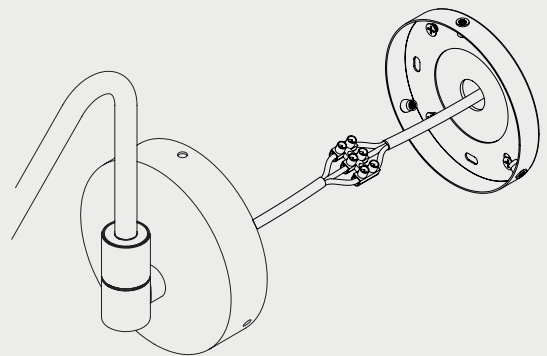
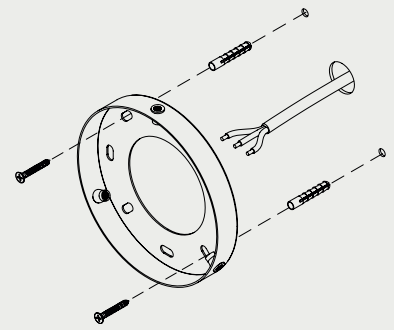
## BEFORE INSTALLATION

- Check that you have all components before starting the installation.
  - Installation must be carried out by a qualified electrician.
  - A minimum of two people is required to install a pendant light.
- Check that the ceiling or wall fixings are suitable and strong enough to support the weight of the light fixture.
  - You will need the below specific tools for a successful installation.



## 1. 240V

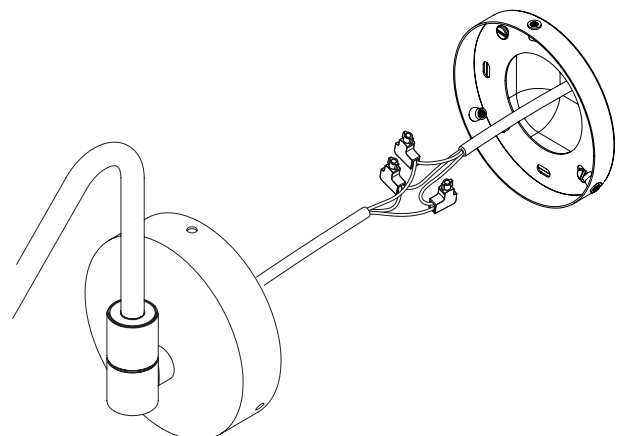
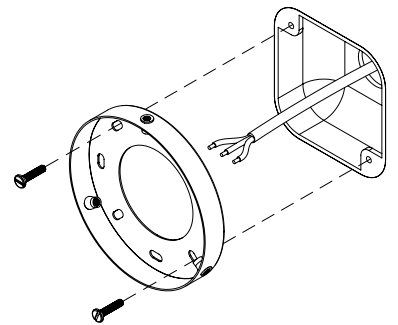
- A. Securely fix the mounting plate to the wall in the correct position using fixings suitable for the surface you are mounting to (not supplied).
- B. Raise the wall light and make the electrical connections inside the wall cover plate ensuring all wires are colour matched and the wall light is earthed correctly.
- C. Bring the wall cover plate up to the mounted plate and secure with the three screws.



## 1. US

## 120V

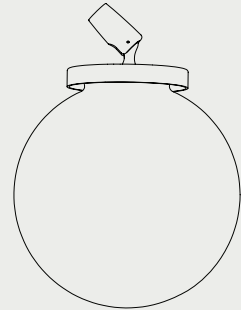
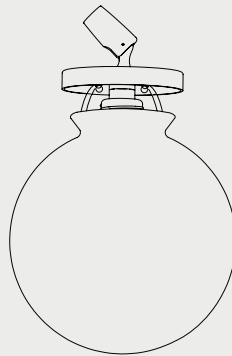
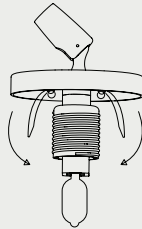
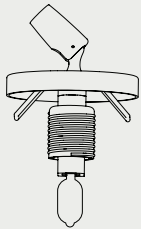
- A. Fix the mounting plate to the junction box using suitable screws (not supplied).
- B. Raise the wall light and make the electrical connections inside the junction box ensuring all wires are colour matched and the wall light is earthed correctly.
- C. Bring the wall rose cover up to the mounted plate and secure with the three screws.



2. Fit the bulb and glass shade to the fitting.

Pinch the spring clips inwards and hold, slowly feeding the opal glass shade over the spring clips.

Do not release the opal glass shades too quickly.



## MAINTENANCE

### Cleaning

Dust using a dry lint-free cloth weekly or as required

### Repairs

Contact  
CTO Lighting

### Warranty

Please visit  
[www.ctolighting.co.uk/  
pages/f-a-q](http://www.ctolighting.co.uk/pages/f-a-q)  
for CTO warranty policy

### Certification

CE cUL US  
E492308