

## AVALON CHANDELIER HALO CEILING MOUNTING PLATE

### FINISH

satin brass finish with alabaster  
bronze finish with alabaster

### DIMENSIONS (body of fixture)

ø 1010 x 70 mm (dia x h)

### WEIGHT

50kg (110.2lbs)

please ensure ceiling structure is strong enough to support the weight of the light

### OVERALL DROP

minimum 598 mm

maximum on request 5080 mm

supplied with 2500 mm suspension cables

### ILLUMINATION

220-240v - integrated LED - 38w + 67w - 2700k

110-130v - integrated LED - 38w + 67w - 2700k

2 x LED drivers to be installed in the ceiling cavity

LED drivers can be placed up to 2m away from the ceiling plate

### DIMMING

trailing dimmable / phase cut (rotary dimmer) - standard

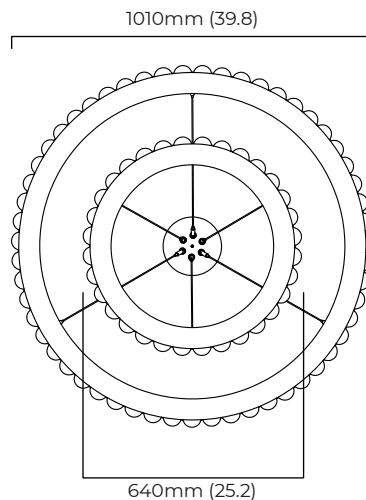
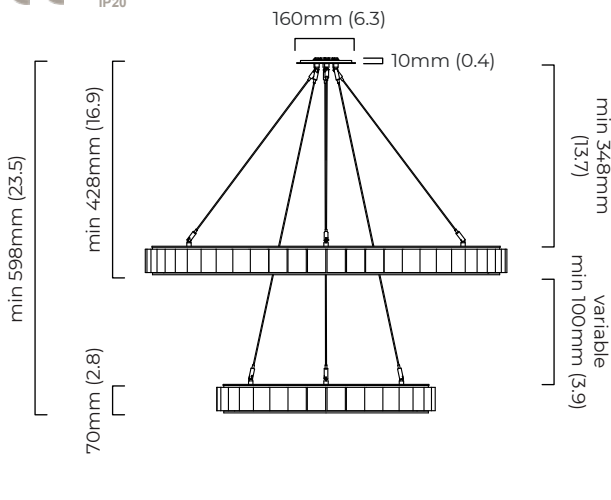
\* DALI option available (220-240v only) - see next page

\* 0/1-10v (220-240v or 110-130v) - on request

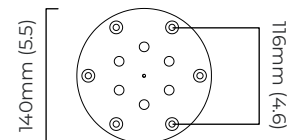
### CEILING ROSE / PLATE

round ceiling plate - ø 160 x 10 mm (dia x h)

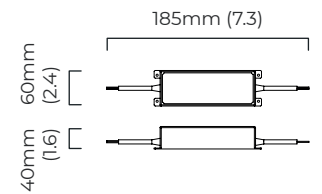
### CERTIFICATION



### mounting plate dimensions



### LED driver dimensions



\*Diagrams are not to scale.

SKU NUMBER	FINISH DESCRIPTION	VOLTAGE
AVACHOBZHA-CM-240	bronze finish with alabaster	220 - 240V
AVACHOSBHA-CM-240	satin brass finish with alabaster	220 - 240V
AVACHOBZHA-CM-110	bronze finish with alabaster	110 - 130V
AVACHOSBHA-CM-110	satin brass finish with alabaster	110 - 130V

## AVALON CHANDELIER HALO CEILING ROSE

### FINISH

satin brass finish with alabaster  
bronze finish with alabaster

### DIMENSIONS (body of fixture)

ø 1010 x 70 mm (dia x h)

### WEIGHT

50kg (110.2lbs)

please ensure ceiling structure is strong enough to support the weight of the light

### OVERALL DROP

minimum 653 mm

maximum on request 5135 mm

supplied with 2500 mm suspension cables

### ILLUMINATION

220-240v - integrated LED - 38w + 67w - 2700k

110-130v - integrated LED - 38w + 67w - 2700k

2 x LED drivers to be installed in the ceiling rose

### DIMMING

trailing dimmable / phase cut (rotary dimmer) - standard

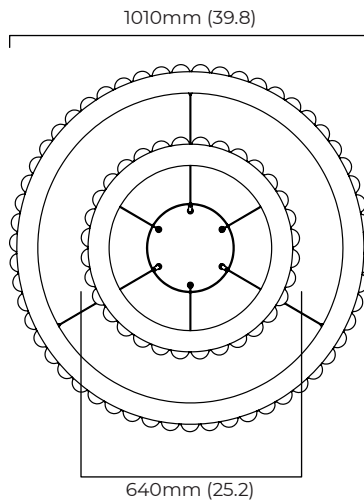
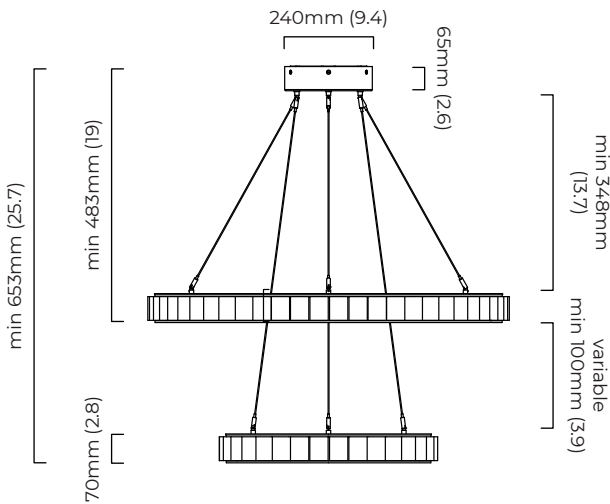
\* DALI option available (220-240v only) - see next page

\* 0/1-10v (220-240v or 110-130v) - on request

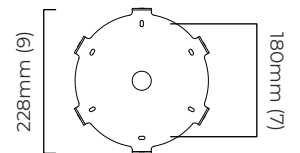
### CEILING ROSE / PLATE

round ceiling rose - ø 240 x 65 mm (dia x h)

### CERTIFICATION



mounting plate dimensions



\*Diagrams are not to scale.

SKU NUMBER	FINISH DESCRIPTION	VOLTAGE
AVACHOBZHA-CR-240	bronze finish with alabaster	220 - 240V
AVACHOSBHA-CR-240	satin brass finish with alabaster	220 - 240V
AVACHOBZHA-CR-110	bronze finish with alabaster	110 - 130V
AVACHOSBHA-CR-110	satin brass finish with alabaster	110 - 130V

## AVALON CHANDELIER HALO CEILING MOUNTING PLATE - DALI A

### FINISH

satin brass finish with alabaster  
bronze finish with alabaster

### DIMENSIONS (body of fixture)

ø 1010 x 70 mm (dia x h)

### WEIGHT

50kg (110.2lbs)

please ensure ceiling structure is strong enough to support the weight of the light

### OVERALL DROP

minimum 598 mm

maximum on request 5080 mm

supplied with 2500 mm suspension cables

### ILLUMINATION

220-240v - integrated LED - 38w + 67w - 2700k

2 x DALI LED drivers to be installed in the ceiling cavity

DALI LED drivers can be placed up to 2m away from the ceiling plate

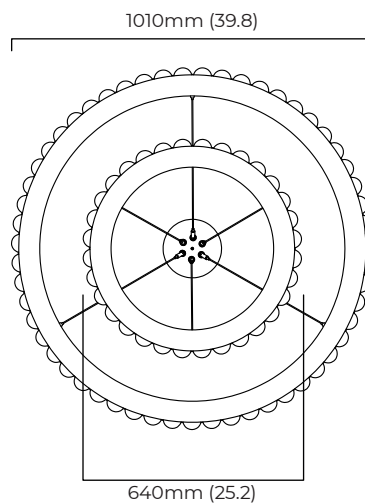
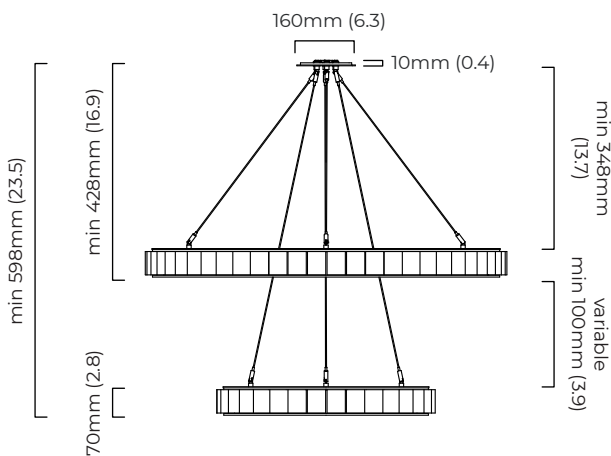
### DIMMING

DALI compatible

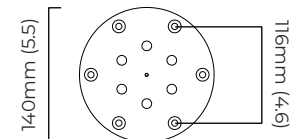
### CEILING ROSE / PLATE

round ceiling plate - ø 160 x 10 mm (dia x h)

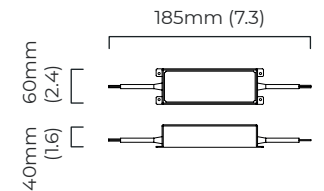
### CERTIFICATION



mounting plate dimensions



DALI LED driver dimensions



\*Diagrams are not to scale.

SKU NUMBER	FINISH DESCRIPTION	TYPE OF DALI	VOLTAGE
AVACHOBZHA-CM-DALIA-240	bronze finish with alabaster	DALI A included - For lights that do not require aesthetic alterations. Dali can be fitted inside the ceiling/wall cavity	220 - 240V
AVACHOSBHA-CM-DALIA-240	satin brass finish with alabaster	DALI A included - For lights that do not require aesthetic alterations. Dali can be fitted inside the ceiling/wall cavity	220 - 240V

## AVALON CHANDELIER HALO CEILING ROSE - DALI A

### FINISH

satin brass finish with alabaster  
bronze finish with alabaster

### DIMENSIONS (body of fixture)

ø 1010 x 70 mm (dia x h)

### WEIGHT

50kg (110.2lbs)

please ensure ceiling structure is strong enough to support the weight of the light

### OVERALL DROP

minimum 653 mm

maximum on request 5135 mm

supplied with 2500 mm suspension cables

### ILLUMINATION

220-240v - integrated LED - 38w + 67w - 2700k

2 x DALI LED drivers to be installed in the ceiling rose

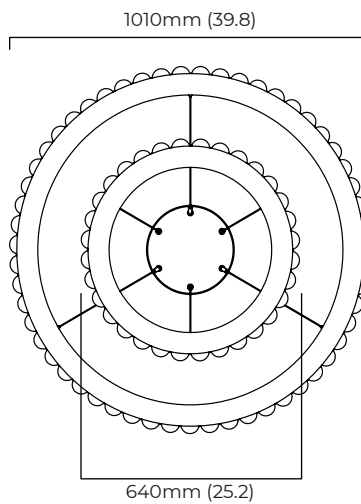
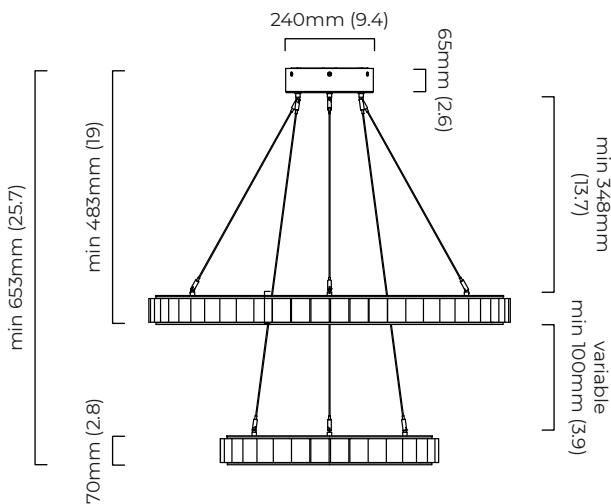
### DIMMING

DALI compatible

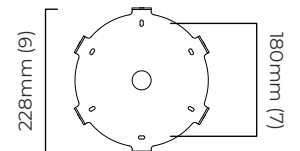
### CEILING ROSE / PLATE

round ceiling rose - ø 240 x 65 mm (dia x h)

### CERTIFICATION



mounting plate dimensions



\*Diagrams are not to scale.

SKU NUMBER	FINISH DESCRIPTION	TYPE OF DALI	VOLTAGE
AVACHOBZHA-CR-DALIA-240	bronze finish with alabaster	DALI A included - For lights that do not require aesthetic alterations. Dali can be fitted on the existent ceiling/wall rose	220 - 240V
AVACHOSBHA-CR-DALIA-240	satin brass finish with alabaster	DALI A included - For lights that do not require aesthetic alterations. Dali can be fitted on the existent ceiling/wall rose	220 - 240V