

## CASCATA CHANDELIER CEILING MOUNTING PLATE

### FINISH

satin brass finish with wavy kiln glass  
 bronze finish with wavy kiln glass  
 polished nickel finish with wavy kiln glass

### DIMENSIONS (body of fixture)

∅ 1450 x 640 mm (dia x h)

### WEIGHT

40kg (88.2lbs)  
 please ensure ceiling structure is strong enough to support the weight of the light

### OVERALL DROP

minimum 850 mm  
 maximum on request 5650 mm  
 supplied with 2500 mm suspension cables

### ILLUMINATION

220-240v - integrated LED - 50w - 2700k  
 110-130v - integrated LED - 50w - 2700k  
 LED driver to be installed in the cavity  
 driver can be placed up to 2m away from the ceiling plate

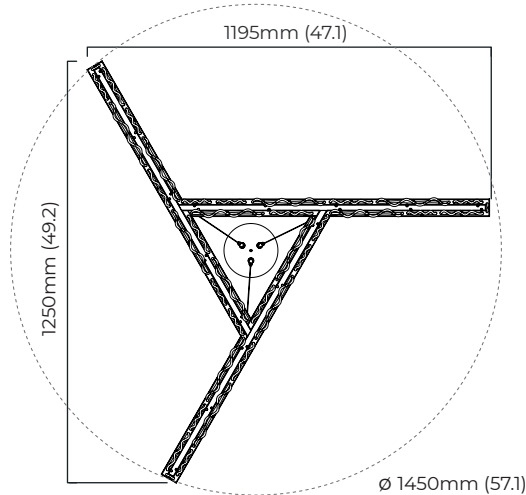
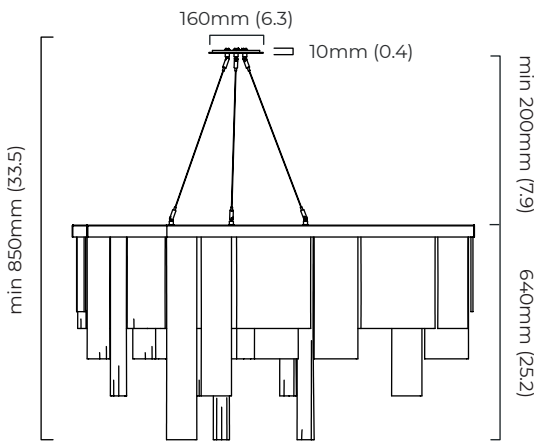
### DIMMING

trailing dimmable / phase cut (rotary dimmer) - standard  
 \* DALI option available (220-240v only), see next page  
 \* 0/1-10v (220-240v) - on request

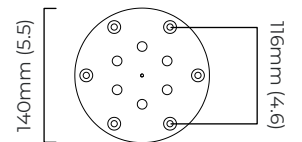
### CEILING ROSE / PLATE

round ceiling plate - ∅ 160 x 10 mm (dia x h)

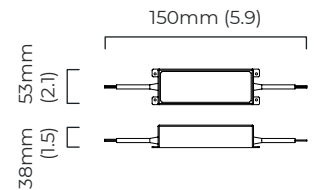
### CERTIFICATION



mounting plate dimensions



LED driver dimensions



\*Diagrams are not to scale.

SKU NUMBER	FINISH DESCRIPTION	VOLTAGE
CASCHOBZWG-CM-240	bronze finish with wavy kiln glass	220-240V
CASCHOSBWG-CM-240	satin brass finish with wavy kiln glass	220-240V
CASCHOPNWG-CM-240	polished nickel finish with wavy kiln glass	220-240V
CASCHOBZWG-CM-110	bronze finish with wavy kiln glass	110-130V
CASCHOSBWG-CM-110	satin brass finish with wavy kiln glass	110-130V
CASCHOPNWG-CM-110	polished nickel finish with wavy kiln glass	110-130V

## CASCATA CHANDELIER CEILING ROSE

### FINISH

satin brass finish with wavy kiln glass  
bronze finish with wavy kiln glass  
polished nickel finish with wavy kiln glass

### DIMENSIONS (body of fixture)

ø 1450 x 640 mm (dia x h)

### WEIGHT

40kg (88.2lbs)  
please ensure ceiling structure is strong enough to support the weight of the light

### OVERALL DROP

minimum 880 mm  
maximum on request 5680 mm  
supplied with 2500 mm suspension cables

### ILLUMINATION

220-240v - integrated LED - 50w - 2700k  
110-130v - integrated LED - 50w - 2700k  
LED driver to be installed in the ceiling rose

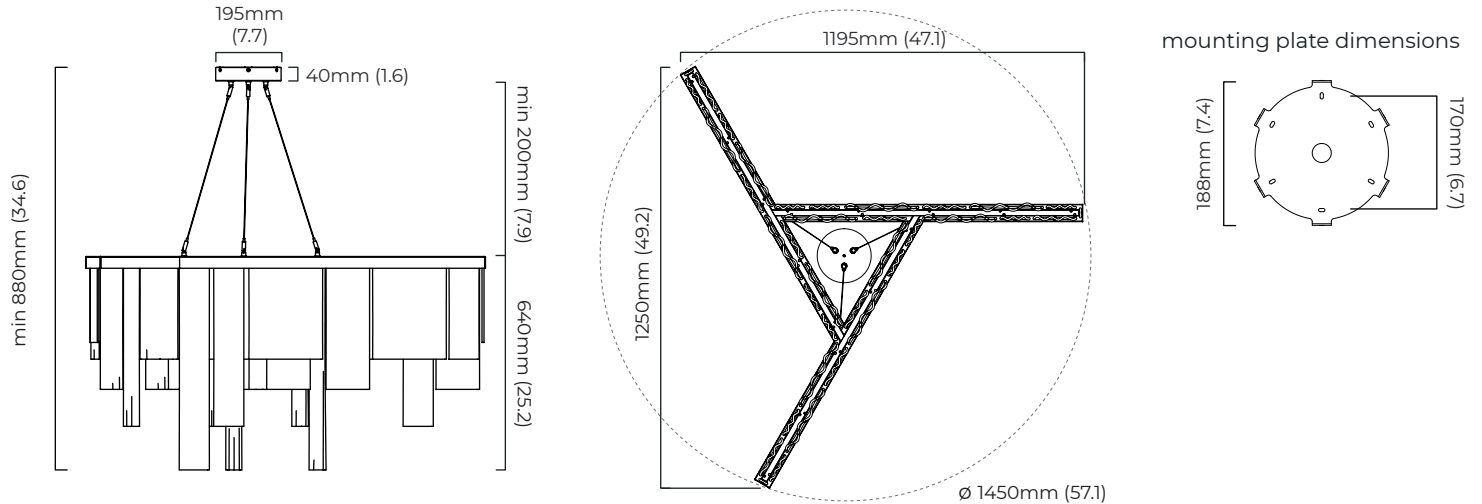
### DIMMING

trailing dimmable / phase cut (rotary dimmer) - standard  
\* DALI option available (220-240v only), see next page  
\* 0/1-10v (220-240v) - on request

### CEILING ROSE / PLATE

round ceiling rose - ø 195 x 40 mm (dia x h)

### CERTIFICATION



\*Diagrams are not to scale.

SKU NUMBER	FINISH DESCRIPTION	VOLTAGE
CASCHOBZWG-CR-240	bronze finish with wavy kiln glass	220-240V
CASCHOSBWG-CR-240	satin brass finish with wavy kiln glass	220-240V
CASCHOPNWG-CR-240	polished nickel finish with wavy kiln glass	220-240V
CASCHOBZWG-CR-110	bronze finish with wavy kiln glass	110-130V
CASCHOSBWG-CR-110	satin brass finish with wavy kiln glass	110-130V
CASCHOPNWG-CR-110	polished nickel finish with wavy kiln glass	110-130V

## CASCATA CHANDELIER CEILING MOUNTING PLATE - DALI-A

### FINISH

satin brass finish with wavy kiln glass  
 bronze finish with wavy kiln glass  
 polished nickel finish with wavy kiln glass

### DIMENSIONS (body of fixture)

ø 1450 x 640 mm (dia x h)

### WEIGHT

40kg (88.2lbs)  
 please ensure ceiling structure is strong enough to support the weight of the light

### OVERALL DROP

minimum 840 mm  
 maximum on request 5640 mm  
 supplied with 2500 mm suspension cables

### ILLUMINATION

220-240v - integrated LED - 50w - 2700k  
 DALI LED driver to be installed in the cavity  
 DALI LED driver can be placed up to 2m away from the ceiling plate

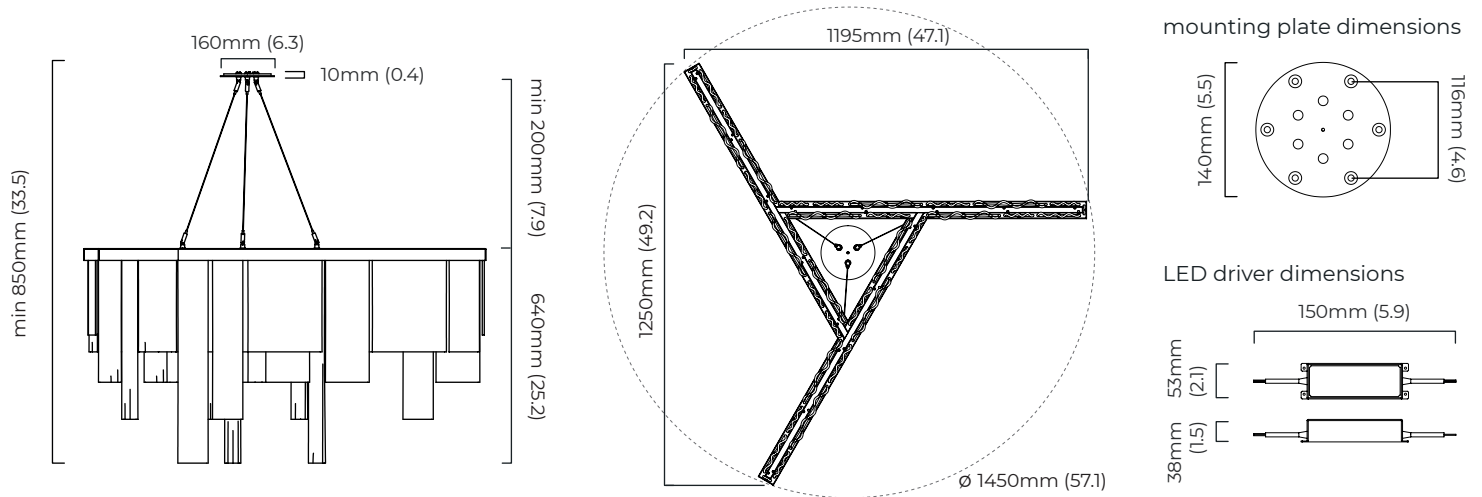
### DIMMING

DALI compatible

### CEILING ROSE / PLATE

round ceiling plate - ø 160 x 10 mm (dia x h)

### CERTIFICATION



\*Diagrams are not to scale.

SKU NUMBER	FINISH DESCRIPTION	TYPE OF DALI	VOLTAGE
CASCHOBZWG-CM-DALIA-240	bronze finish with wavy kiln glass	DALI A included - For lights that do not require aesthetic alterations. Dali can be fitted inside existent ceiling/wall recess	220-240V
CASCHOSBWG-CM-DALIA-240	satin brass finish with wavy kiln glass	DALI A included - For lights that do not require aesthetic alterations. Dali can be fitted inside existent ceiling/wall recess	220-240V
CASCHOPNWG-CM-DALIA-240	polished nickel finish with wavy kiln glass	DALI A included - For lights that do not require aesthetic alterations. Dali can be fitted inside existent ceiling/wall recess	220-240V

## CASCATA CHANDELIER CEILING ROSE - DALI-A

### FINISH

satin brass finish with wavy kiln glass  
bronze finish with wavy kiln glass  
polished nickel finish with wavy kiln glass

### DIMENSIONS (body of fixture)

∅ 1450 x 640 mm (dia x h)

### WEIGHT

40kg (88.2lbs)  
please ensure ceiling structure is strong enough to support the weight of the light

### OVERALL DROP

minimum 880 mm  
maximum on request 5680 mm  
supplied with 2500 mm suspension cables

### ILLUMINATION

220-240v - integrated LED - 50w - 2700k  
DALI LED driver to be installed in the ceiling rose

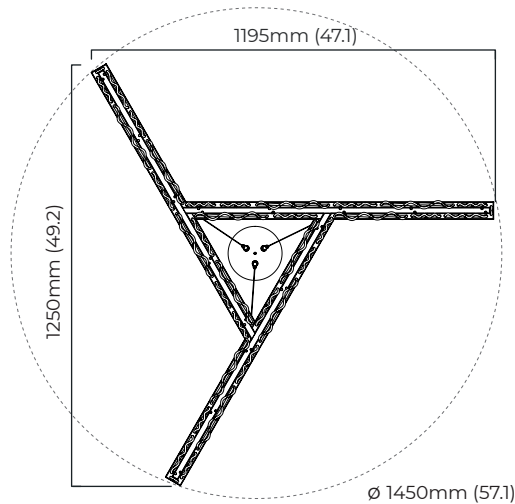
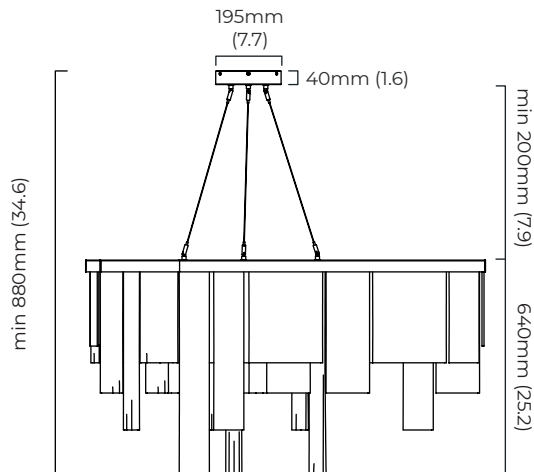
### DIMMING

DALI compatible

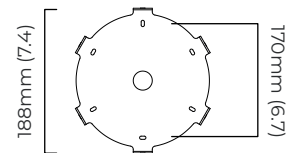
### CEILING ROSE / PLATE

round ceiling rose - ∅ 195 x 40 mm (dia x h)

### CERTIFICATION



mounting plate dimensions



\*Diagrams are not to scale.

SKU NUMBER	FINISH DESCRIPTION	TYPE OF DALI	VOLTAGE
CASCHOBZWG-CR-DALIA-240	bronze finish with wavy kiln glass	DALI A included - For lights that do not require aesthetic alterations. Dali can be fitted inside the existant ceiling rose	220-240V
CASCHOSBWG-CR-DALIA-240	satin brass finish with wavy kiln glass	DALI A included - For lights that do not require aesthetic alterations. Dali can be fitted inside the existant ceiling rose	220-240V
CASCHOPNWG-CR-DALIA-240	polished nickel finish with wavy kiln glass	DALI A included - For lights that do not require aesthetic alterations. Dali can be fitted inside the existant ceiling rose	220-240V