

CLOUDESLEY CHANDELIER SMALL

FINISH

bronze with opal glass shades
satin brass with opal glass shades

DIMENSIONS (body of fixture)

ø 850 x 450 mm (dia x h)

WEIGHT

11kg (24.3lbs)
please ensure ceiling structure is strong enough to support the weight of the light

OVERALL DROP

minimum 495 mm
maximum on request 6475 mm
supplied with 1000 mm drop rod

ILLUMINATION

220-240v - 4 x E27 - 60w max (or 8w LED 2700k)
110-130v - 4 x E26 - 60w max (or 8w LED 2700k)

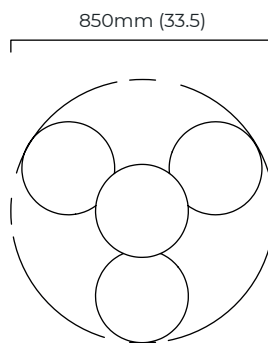
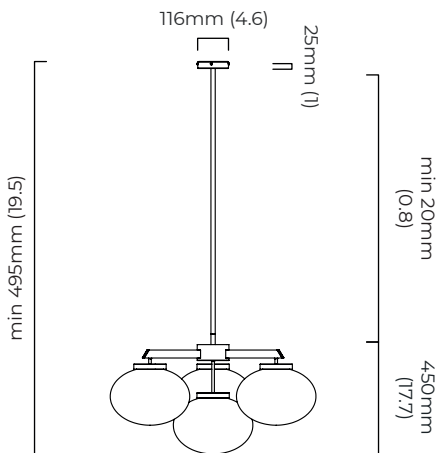
DIMMING

dimmable bulb required
DALI option available (220-240v only)

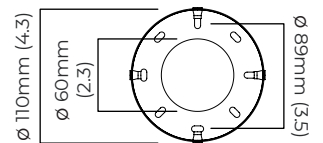
CEILING ROSE / PLATE

round ceiling rose - ø 116 x 25 mm (dia x h)

CERTIFICATION



mounting plate dimensions



*Diagrams are not to scale.

SKU NUMBER	FINISH DESCRIPTION	VOLTAGE
CLOCHSBZMO-240	bronze with opal glass shades	220 - 240V
CLOCHSSBMO-240	satin brass with opal glass shades	220 - 240V
CLOCHSBZMO-110	bronze with opal glass shades	110 - 130V
CLOCHSSBMO-110	satin brass with opal glass shades	110 - 130V

CLOUDESLEY CHANDELIER SMALL - DALI-A

FINISH

bronze with opal glass shades
satin brass with opal glass shades

DIMENSIONS (body of fixture)

ø 850 x 450 mm (dia x h)

WEIGHT

11kg (24.3lbs)

please ensure ceiling structure is strong enough to support the weight of the light

OVERALL DROP

minimum 495 mm

maximum on request 6475 mm

supplied with 1000 mm drop rod

ILLUMINATION

220-240v - 4 x E27 - 60w max (or 8w LED 2700k)

DALI converter to be installed in the cavity

converter can be placed up to 2m away from the light fixture

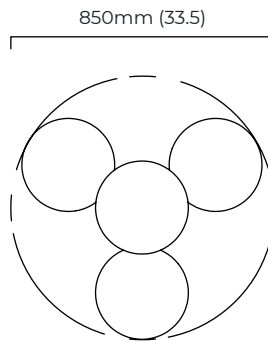
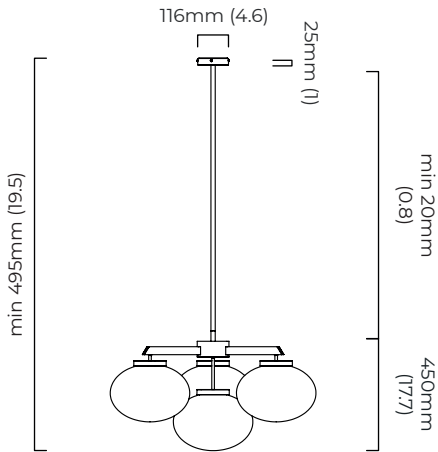
DIMMING

DALI compatible

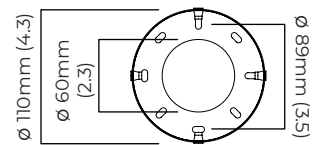
CEILING ROSE / PLATE

round ceiling rose - ø 116 x 25 mm (dia x h)

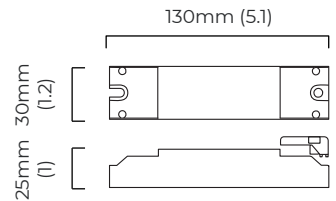
CERTIFICATION



mounting plate dimensions



DALI converter dimensions



*Diagrams are not to scale.

SKU NUMBER	FINISH DESCRIPTION	TYPE OF DALI	VOLTAGE
CLOCHSBZMO-DALIA-240	bronze with opal glass shades	DALI A included - For lights that do not require aesthetic alterations. Dali can be fitted inside the ceiling/wall cavity	220 - 240V
CLOCHSSBMO-DALIA-240	satin brass with opal glass shades	DALI A included - For lights that do not require aesthetic alterations. Dali can be fitted inside the ceiling/wall cavity	220 - 240V

CLOUDESLEY CHANDELIER SMALL - DALI-B

FINISH

bronze with opal glass shades
satin brass with opal glass shades

DIMENSIONS (body of fixture)

ø 850 x 450 mm (dia x h)

WEIGHT

11kg (24.3lbs)

please ensure ceiling structure is strong enough to support the weight of the light

OVERALL DROP

minimum 500 mm

maximum on request 6480 mm

supplied with 1000 mm drop rod

ILLUMINATION

220-240v - 4 x E27 - 60w max (or 8w LED 2700k)

DALI converter to be installed in the ceiling rose

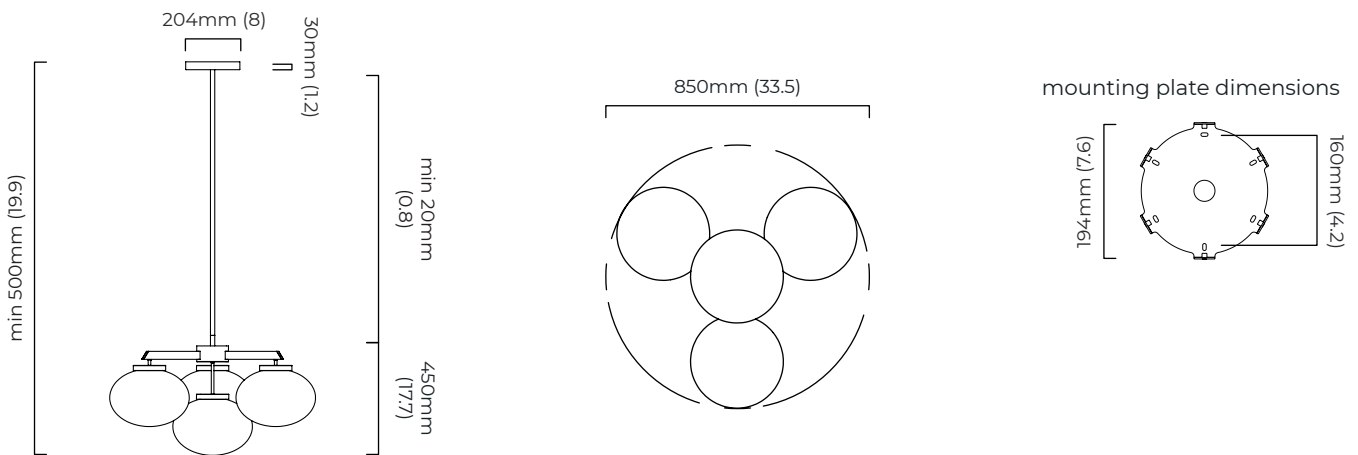
DIMMING

DALI compatible

CEILING ROSE / PLATE

round ceiling rose - ø 204 x 30 mm (dia x h)

CERTIFICATION



*Diagrams are not to scale.

SKU NUMBER	FINISH DESCRIPTION	TYPE OF DALI	VOLTAGE
CLOCHSBZMO-DALIB-240	bronze with opal glass shades	DALI B included - The light will feature a deeper ceiling/wall rose. For use when there is no space in the existing ceiling/wall cavity	220 - 240V
CLOCHSSBMO-DALIB-240	satin brass with opal glass shades	DALI B included - The light will feature a deeper ceiling/wall rose. For use when there is no space in the existing ceiling/wall cavity	220 - 240V