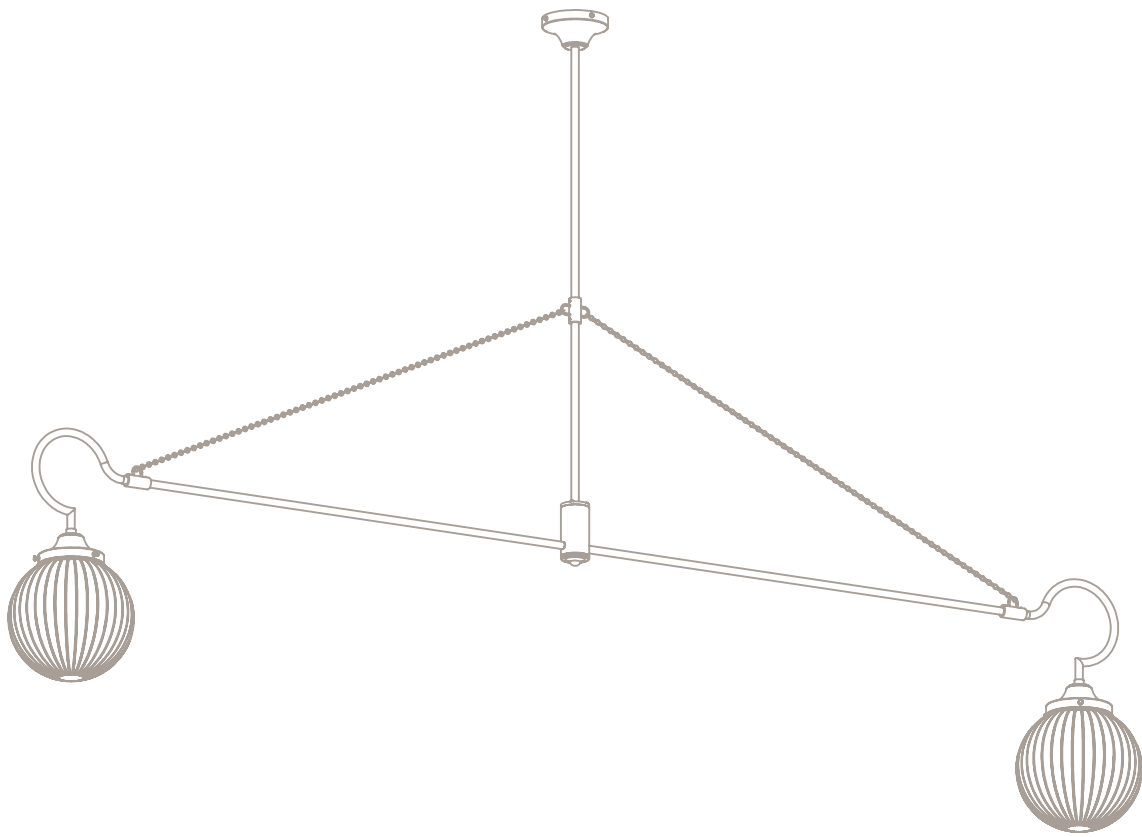


## FLOREN TWO PENDANT

Installation Guide



!

Please handle with care and wear gloves at all times during assembly and installation to avoid damaging components.

## TECHNICAL

**Bulb Holder**  
 240v - 2 x E27,  
 120v - 2 x E26  
 (no bulbs supplied)

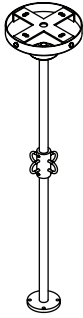
**Wattage**  
 60w max (or 8w LED 2700k)

**Weight**  
 5kg (11lbs)

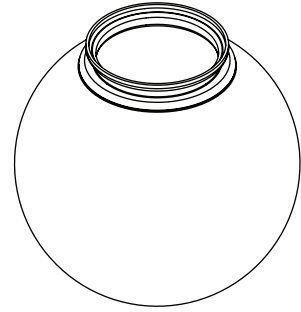
## PARTS & COMPONENTS

- A. 1 x ceiling rose cover, mounting plate, drop rod, chain holder, center hub top cover
- B. glass shades
- C. 1 x centre hub, bottom cover
- D. 2 x arms with chain holder and thumb turn screws

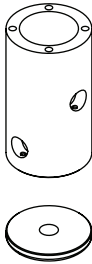
A.



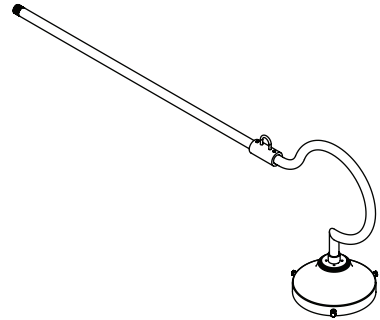
B.



C.



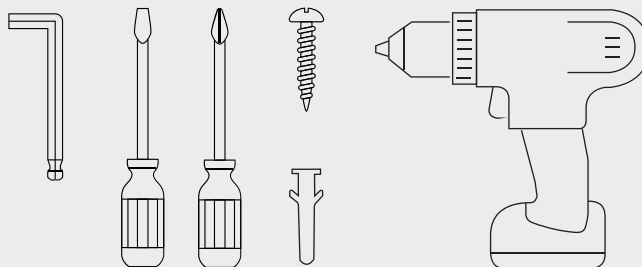
D.





## BEFORE INSTALLATION

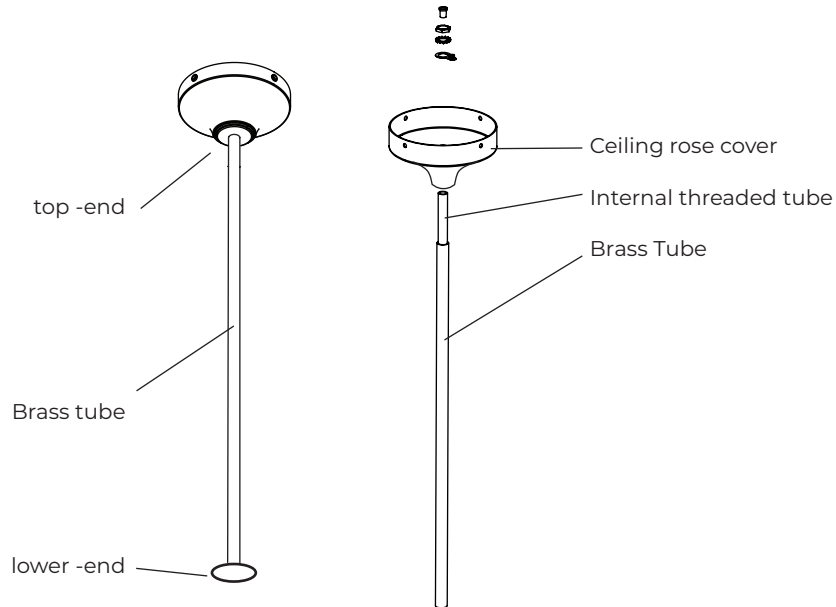
- Check that you have all components before starting the installation.
  - Installation must be carried out by a qualified electrician.
  - A minimum of two people is required to install a pendant light.
- Check that the ceiling or wall fixings are suitable and strong enough to support the weight of the light fixture.
  - You will need the below specific tools for a successful installation.



## HEIGHT ADJUSTMENT INSTRUCTIONS

Before attaching the drop-rod to the body of the light, calculate the required total drop from ceiling to bottom of pendant. If any height adjustment is required, follow the steps below:

1. Separate the brass tube and the internal threaded tube from the ceiling rose cover by unscrewing the bolt.

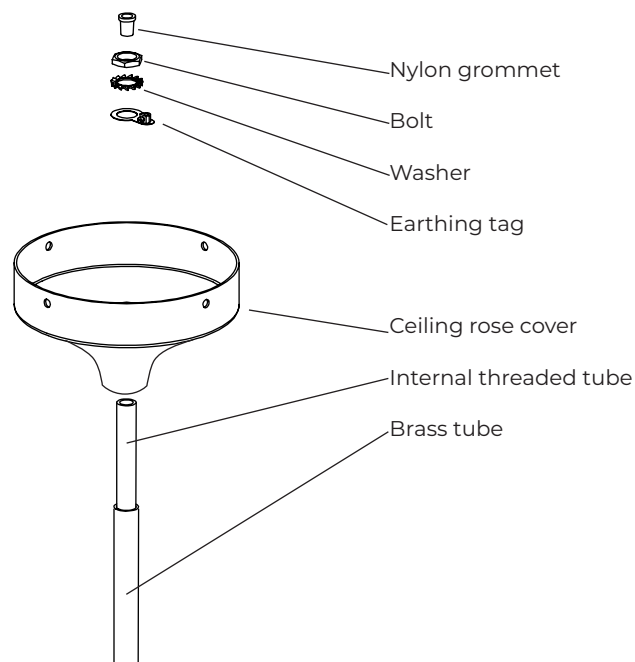


2. Measure the length the drop rod needs to be.
3. Cut the brass tube to this length using a hacksaw or similar tool.
4. Cut the same length from the top-end of internal threaded tube.

NOTE: The internal threaded tube must always be longer than the brass tube.

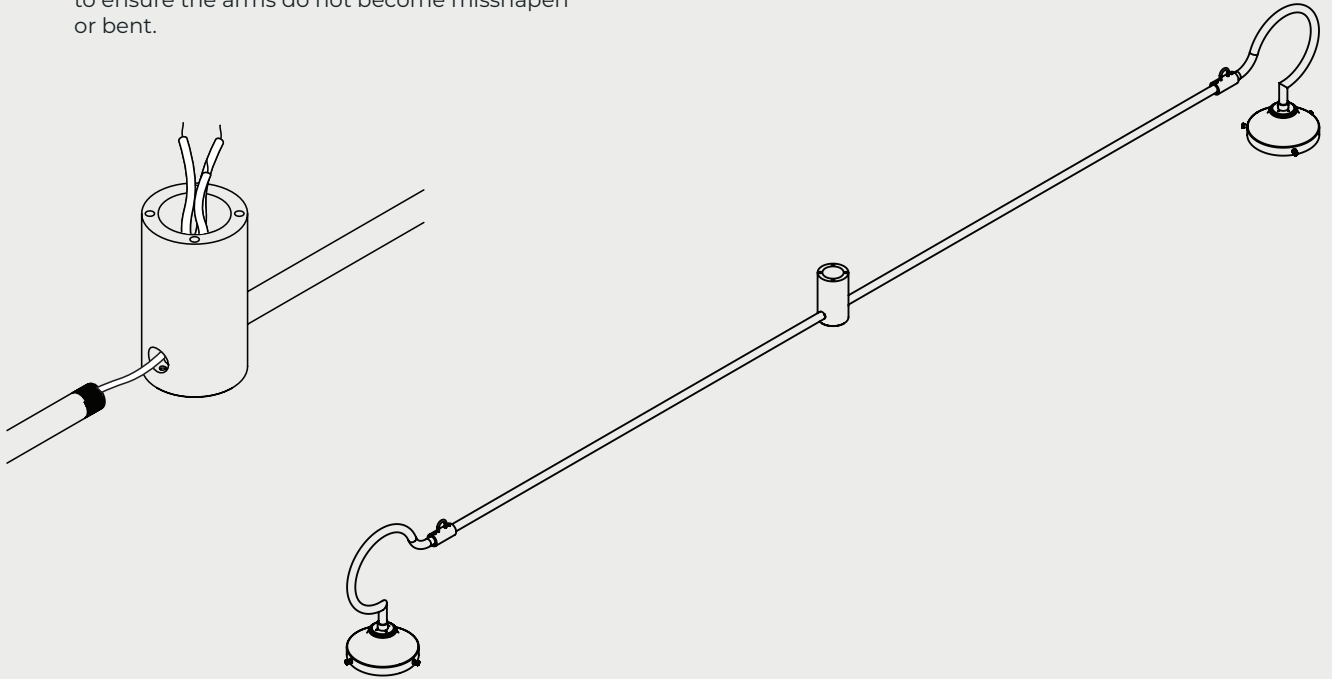
5. Once the brass tube and internal threaded tube are cut to correct lengths, slide the brass tube over the internal threaded tube and attach them back to the ceiling rose cover by using components provided.

6. Once satisfied with the fit, secure bolts and all-thread with Loc-tite or similar adhesive.



1. Screw the threaded arms into the centre hub and collect the cables in the centre.

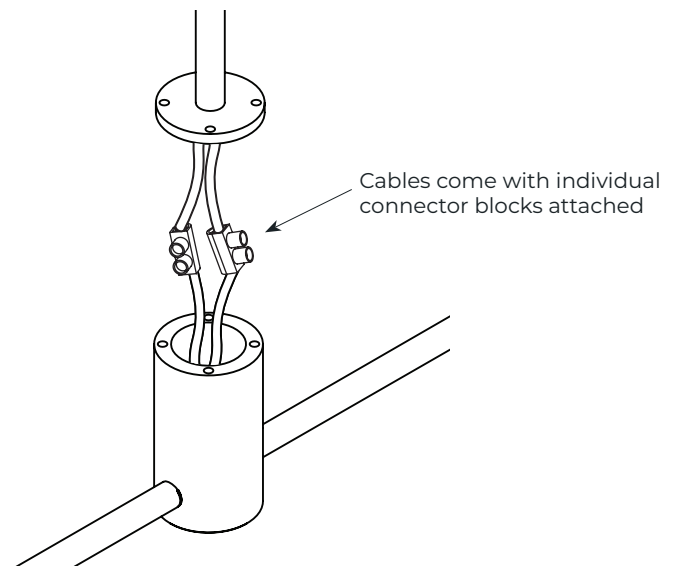
Note: Support the centre hub when resting the fitting to ensure the arms do not become misshapen or bent.



2. After the arms have been screwed in, neatly join the same coloured cables to each other inside the central hub. Ensure that the colours match:

Note: Only one arm is earthed.

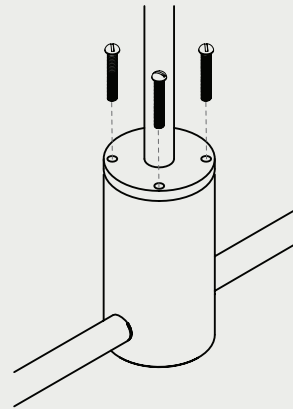
Make the electrical connection between the drop rod and the joined cables within the central hub using the connector blocks provided, again ensuring that the colours being joined match.



3. Carefully push the loose cables into the centre hub and close the centre hub cap over the connections.

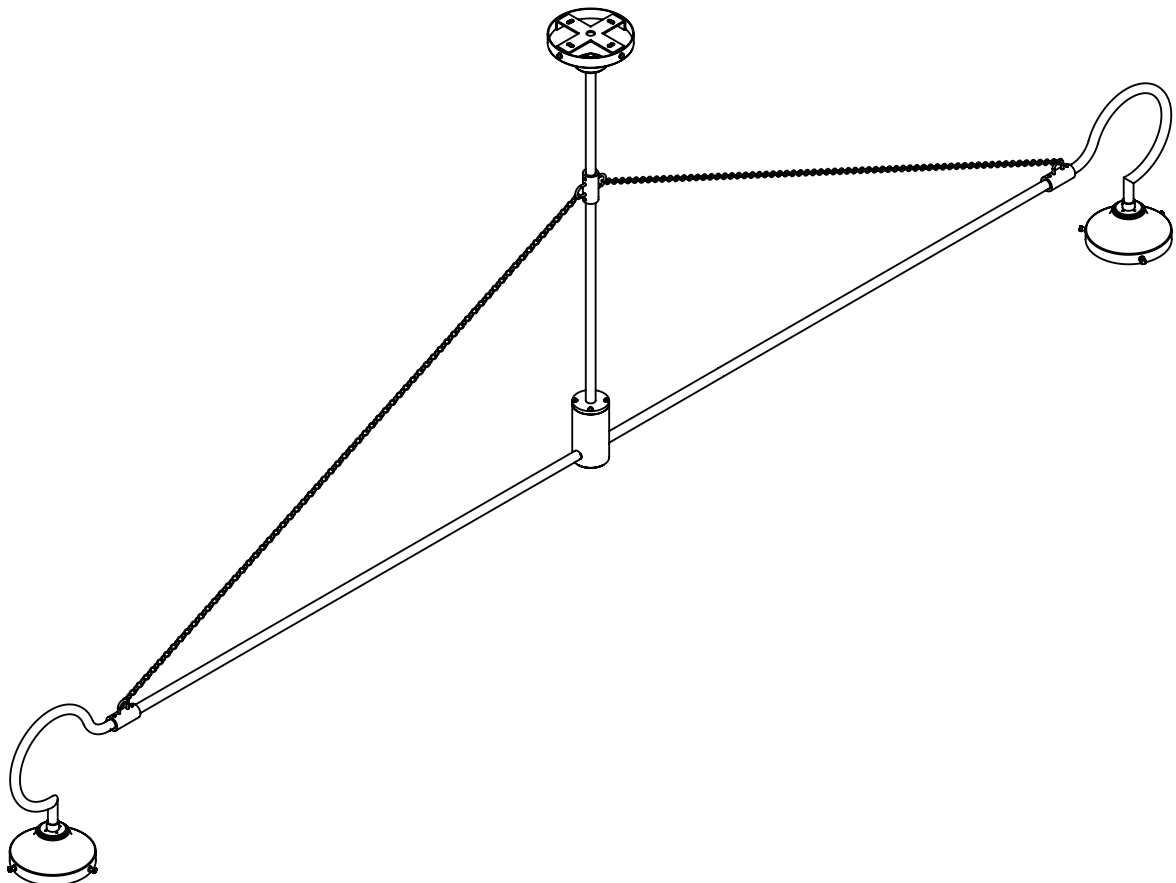
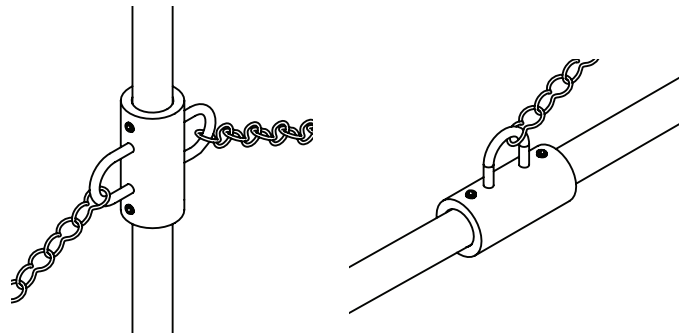
Use 4.no M4 x 25 screws provided to attach the drop rod and the centre hub together.

Subject the assembled fitting to a suitable electrical safety test.

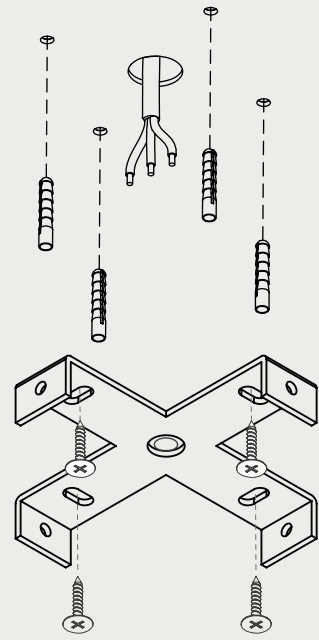


4. Unwrap the chains from the drop rod assembly and attach the loose ends to the chain holders on each of the arms, closing the end link with a pair of pliers.

Using a Hex Key loosen the chain holders on the arms, adjust and re-tighten to make the chain taut and support the weight of the arms.

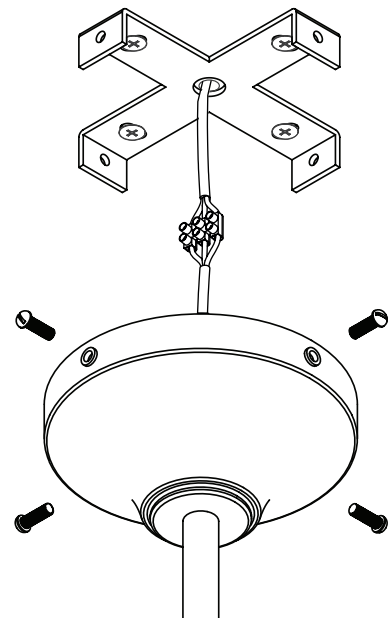


5. Fix the mounting plate to the ceiling. Ensure that suitable screws are being used for the surface that you are mounting to (not supplied).

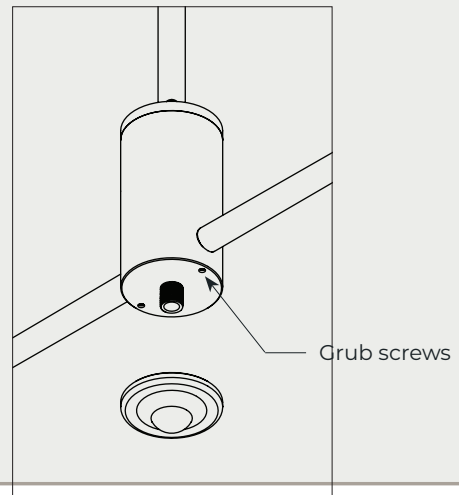


6. Raise the pendant and make the electrical connections.

Bring the ceiling rose cover up to the mounted plate and secure using provided screws.



7. With the pendant secured to the ceiling, adjust the rotation of the arms to ensure they are all sitting straight with the bulb holders facing straight down and tighten 4.no Hex Key screws located underneath the central hub to secure the arms in place. Screw central hub bottom cover by hand onto the underside of the hub to hide screw fittings.

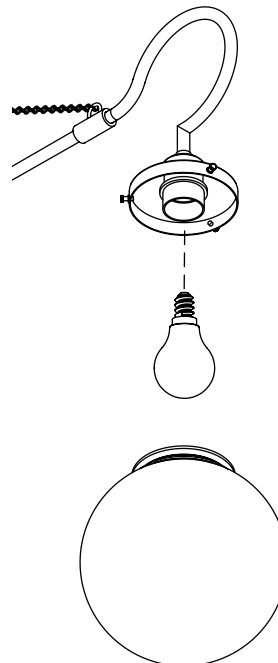


8. Fit the bulbs (not supplied) to the lamp-holder.

Position the glass globes into place and equally tighten the 3.no thumb turn screws by hand, to hold the globes securely in place.

Do not over tighten screws, to avoid damaging the glass globes

When installing individual globes please balance the fitting by holding it in place.



## MAINTENANCE

### Cleaning

Dust using a dry lint-free cloth weekly or as required

### Repairs

Contact  
CTO Lighting

### Warranty

Please visit  
[www.ctolighting.co.uk/  
pages/f-a-q](http://www.ctolighting.co.uk/pages/f-a-q)  
for CTO warranty policy

### Certification

