

## GAIA WALL - WALL PLATE

### FINISH

bronze with matt opal glass shade  
 bronze with shiny opal glass shade  
 bronze with tinted glass shade  
 bronze with hand shaped smoked glass shade  
 satin brass with matt opal glass shade  
 satin brass with shiny opal glass shade  
 satin brass with tinted glass shade  
 satin brass with hand shaped smoked glass shade

### DIMENSIONS (body of fixture)

150 x 190 x 183 mm (w x d x h)

### WEIGHT

1.5kg (3.3lbs)

### ILLUMINATION

220-240v - 1 x E14 - 25w max (or 4.5w 2700k LED)  
 110-130v - 1 x E12 - 25w max (or 4.5w 2700k LED)

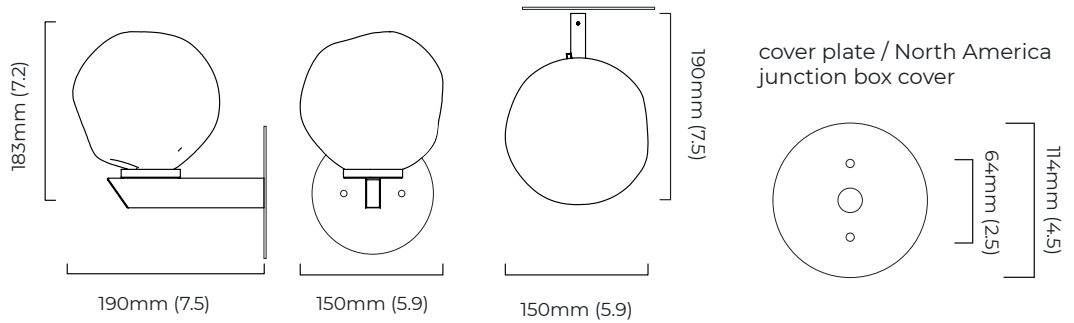
### DIMMING

dimnable bulb required  
 DALI option available (220-240v only)

### CEILING ROSE / PLATE

round wall plate -  $\varnothing$  114 x 5 mm (dia x d)

### CERTIFICATION



\*Diagrams are not to scale.

SKU NUMBER	FINISH DESCRIPTION	VOLTAGE
GAIWAOBZMO-PL-240	bronze with matt opal shade	220 - 240V
GAIWAOBZOG-PL-240	bronze with shiny opal shade	220 - 240V
GAIWAOBZSG-PL-240	bronze with tinted shade	220 - 240V
GAIWAOBZHF-PL-240	bronze with hand shaped smoked glass shade	220 - 240V
GAIWAOSBMO-PL-240	satin brass with matt opal shade	220 - 240V
GAIWAOSBOG-PL-240	satin brass with shiny opal shade	220 - 240V
GAIWAOSBSG-PL-240	satin brass with tinted shade	220 - 240V
GAIWAOSBHF-PL-240	satin brass with hand shaped smoked glass shade	220 - 240V
GAIWAOBZMO-PL-110	bronze with matt opal shade	110 - 130V
GAIWAOBZOG-PL-110	bronze with shiny opal shade	110 - 130V
GAIWAOBZSG-PL-110	bronze with tinted shade	110 - 130V
GAIWAOBZHF-PL-110	bronze with hand shaped smoked glass shade	110 - 130V
GAIWAOSBMO-PL-110	satin brass with matt opal shade	110 - 130V
GAIWAOSBOG-PL-110	satin brass with shiny opal shade	110 - 130V
GAIWAOSBSG-PL-110	satin brass with tinted shade	110 - 130V
GAIWAOSBHF-PL-110	satin brass with hand shaped smoked glass shade	110 - 130V

## GAIA WALL - WALL PLATE - DALI-A

### FINISH

bronze with matt opal glass shade  
 bronze with shiny opal glass shade  
 bronze with tinted glass shade  
 bronze with hand shaped smoked glass shade  
 satin brass with matt opal glass shade  
 satin brass with shiny opal glass shade  
 satin brass with tinted glass shade  
 satin brass with hand shaped smoked glass shade

### DIMENSIONS (body of fixture)

150 x 190 x 183 mm (w x d x h)

### WEIGHT

1.5kg (3.3lbs)

### ILLUMINATION

220-240v - 1 x E14 - 25w max (or 4.5w 2700k LED)  
 DALI converter to be installed in the cavity  
 converter can be placed up to 2m away from the light fixture

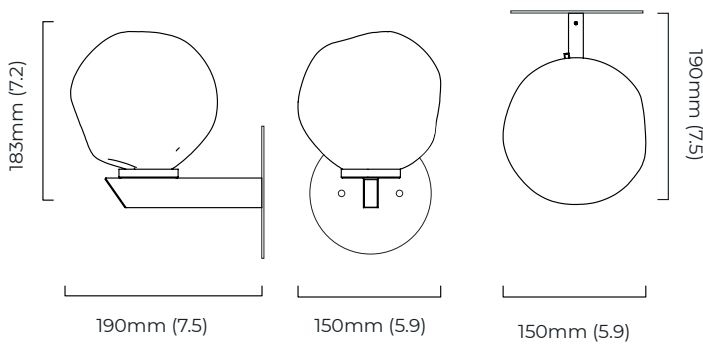
### DIMMING

DALI compatible

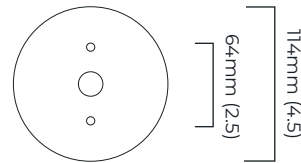
### CEILING ROSE / PLATE

round wall plate -  $\varnothing$  114 x 5 mm (dia x d)

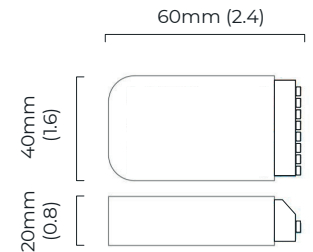
### CERTIFICATION



cover plate dimensions



DALI converter dimensions



\*Diagrams are not to scale.

SKU NUMBER	FINISH DESCRIPTION	TYPE OF DALI	VOLTAGE
GAIWAOBZMO-PL-DALIA-240	bronze with matt opal glass shade	DALI A included - For lights that do not require aesthetic alterations. Dali can be fitted inside the ceiling/wall cavity	220 - 240V
GAIWAOBZOG-PL-DALIA-240	bronze with shiny opal glass shade	DALI A included - For lights that do not require aesthetic alterations. Dali can be fitted inside the ceiling/wall cavity	220 - 240V
GAIWAOBZSG-PL-DALIA-240	bronze with tinted glass shade	DALI A included - For lights that do not require aesthetic alterations. Dali can be fitted inside the ceiling/wall cavity	220 - 240V
GAIWAOBZHF-PL-DALIA-240	bronze with hand shaped smoked glass shade	DALI A included - For lights that do not require aesthetic alterations. Dali can be fitted inside the ceiling/wall cavity	220 - 240V
GAIWAOSBMO-PL-DALIA-240	satin brass with matt opal glass shade	DALI A included - For lights that do not require aesthetic alterations. Dali can be fitted inside the ceiling/wall cavity	220 - 240V
GAIWAOSBOG-PL-DALIA-240	satin brass with shiny opal glass shade	DALI A included - For lights that do not require aesthetic alterations. Dali can be fitted inside the ceiling/wall cavity	220 - 240V
GAIWAOSBSG-PL-DALIA-240	satin brass with tinted glass shade	DALI A included - For lights that do not require aesthetic alterations. Dali can be fitted inside the ceiling/wall cavity	220 - 240V
GAIWAOSBHF-PL-DALIA-240	satin brass with hand shaped smoked glass shade	DALI A included - For lights that do not require aesthetic alterations. Dali can be fitted inside the ceiling/wall cavity	220 - 240V