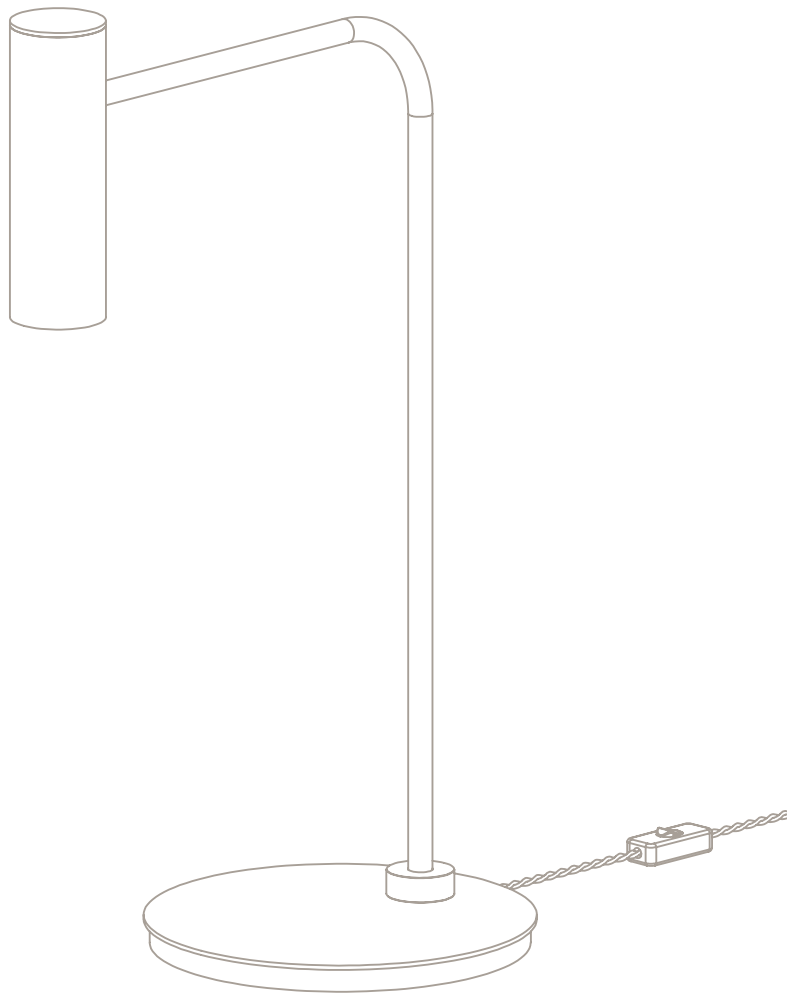


HERON TABLE

Installation Guide



!

Please handle with care and wear gloves at all times during assembly and installation to avoid damaging components.

TECHNICAL

Bulb Holder
240v - 1 x GU10
120v - 1 x GU10
(bulbs not supplied)

Wattage
5.5w 2700k - LED ONLY

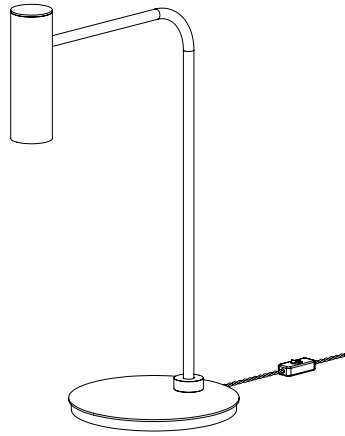
Weight
6kg (13.2lbs)

PARTS & COMPONENTS

A. 1 x Heron table base

1 x Bulb removal tool

A.



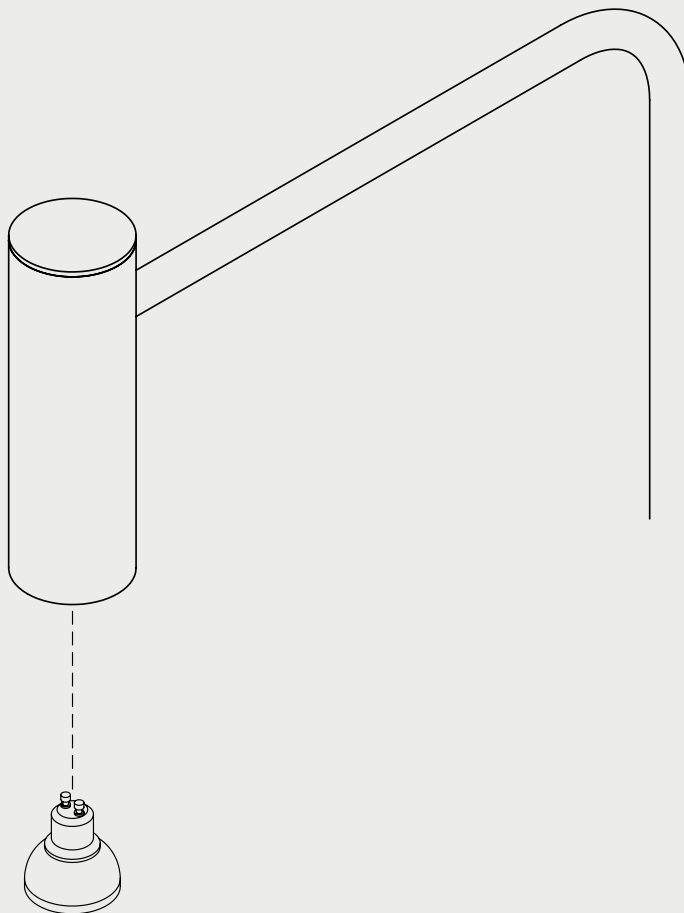
- All nuts and bolts required for the installation will be included in the delivery.



BEFORE INSTALLATION

- Check that you have all components before starting assembly.
- Assembly must be carried out by a qualified electrician.

3. Fit the bulb (not supplied) using the supplied bulb removal tool.



MAINTENANCE

Cleaning

Dust using a dry lint-free cloth weekly or as required

Repairs

Contact
CTO Lighting

Warranty

Please visit
[www.ctolighting.co.uk/
pages/f-a-q](http://www.ctolighting.co.uk/pages/f-a-q)
for CTO warranty policy

Certification



E492309