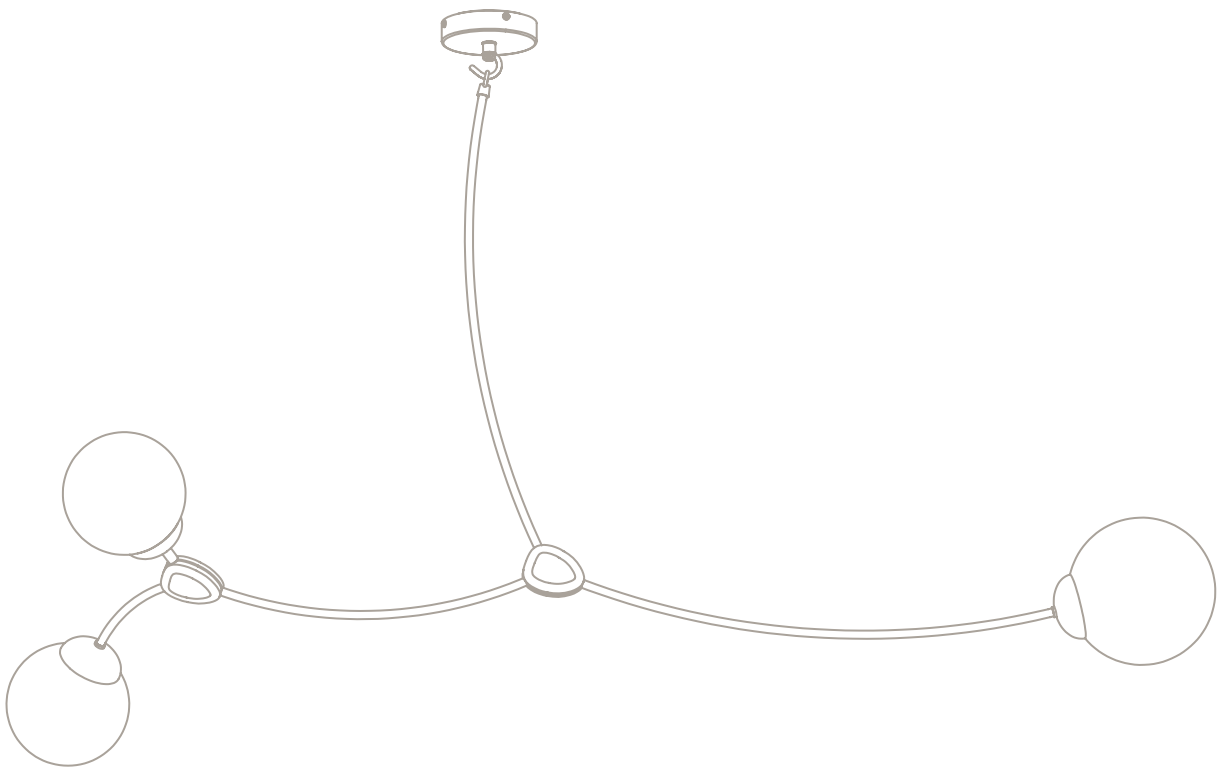


## IVY 3 PENDANT

Installation Guide



!

Please handle with care and wear gloves at all times during assembly and installation to avoid damaging components.

## TECHNICAL

**Bulb Holder**  
 240v - 3 x E14,  
 120v - 3 x E12  
 (no bulbs supplied)

**Wattage**  
 25w max (or 4.5w LED 2700k)

**Weight**  
 5kg (11lbs)

## PARTS & COMPONENTS

- A. 1 x Mounting plate, 1 x Ceiling rose cover
- B. 4 x M4x12 screws
- C. 2 x 150mm glass shade, 1 x 180mm glass shade
- D. 1 x drop rod
- E. 1 x Ivy 3 body

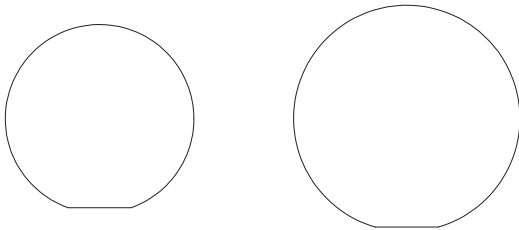
**A.**



**B.**



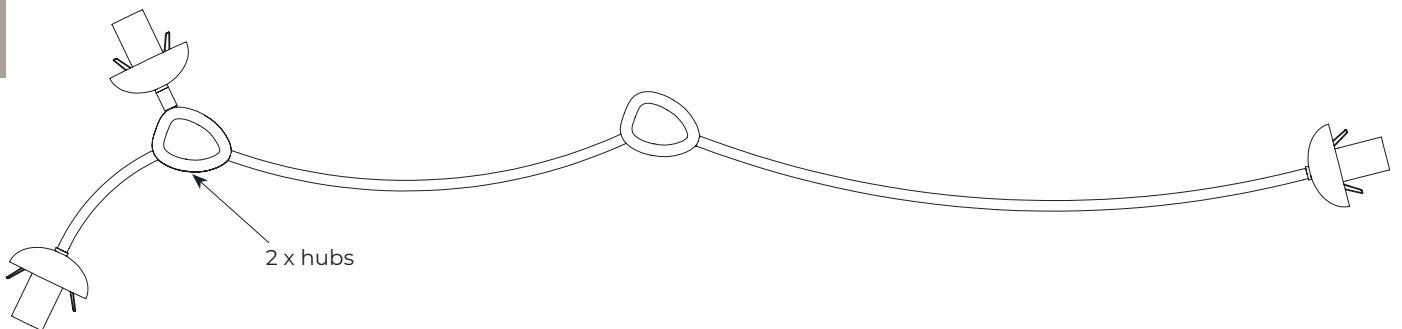
**C.**



**D.**



**E.**

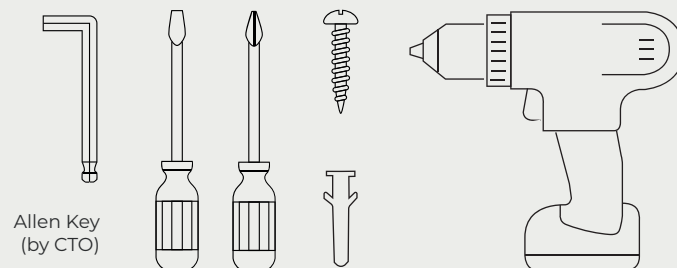


- All nuts and bolts required for the installation will be included in the delivery.

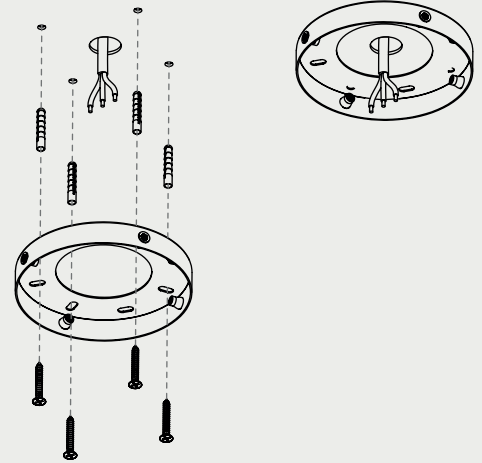


## BEFORE INSTALLATION

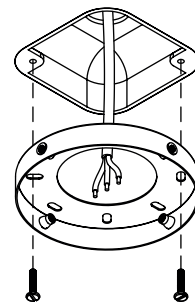
- Check that you have all components before starting the installation.
  - Installation must be carried out by a qualified electrician.
  - A minimum of two people is required to install a pendant light.
- Check that the ceiling or wall fixings are suitable and strong enough to support the weight of the light fixture.
  - You will need the below specific tools for a successful installation.



1. Fix the ceiling plate to the ceiling. Ensure that suitable screws are being used for the surface you are mounting to.



1. 120v  
US Fix the mounting plate to the junction box using suitable screws (not supplied).

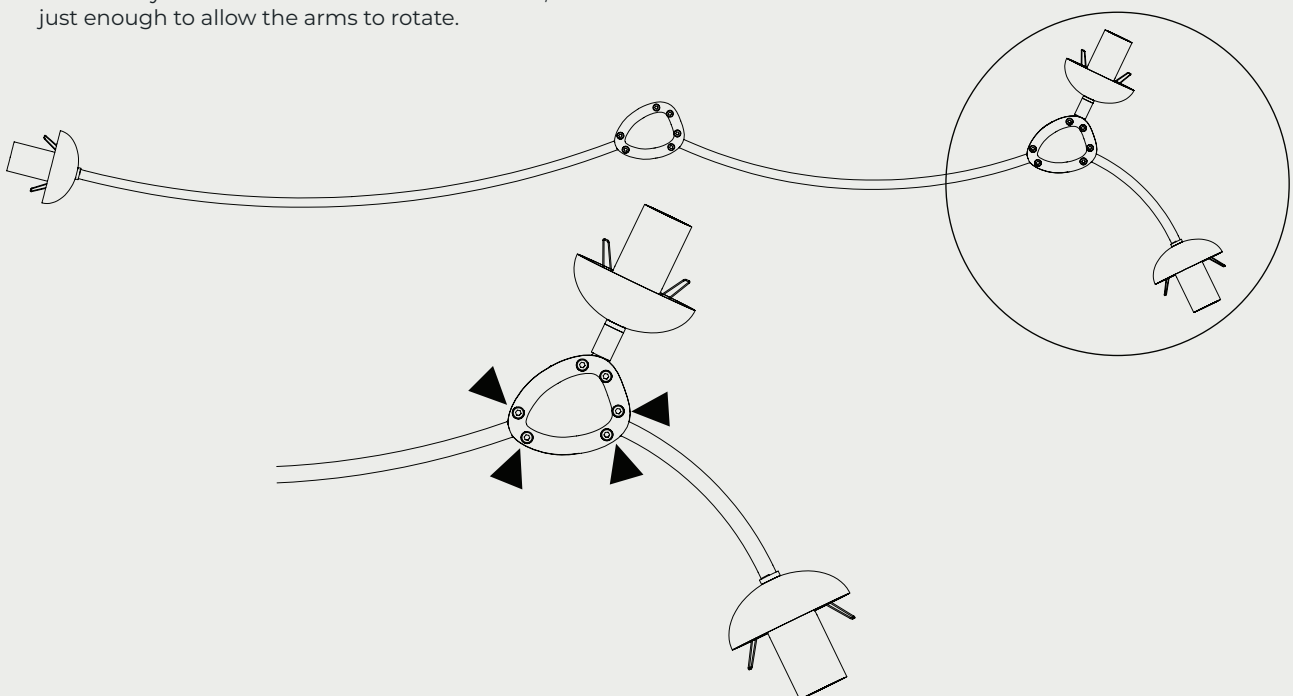


2. Moving the lighting modules into the correct positions

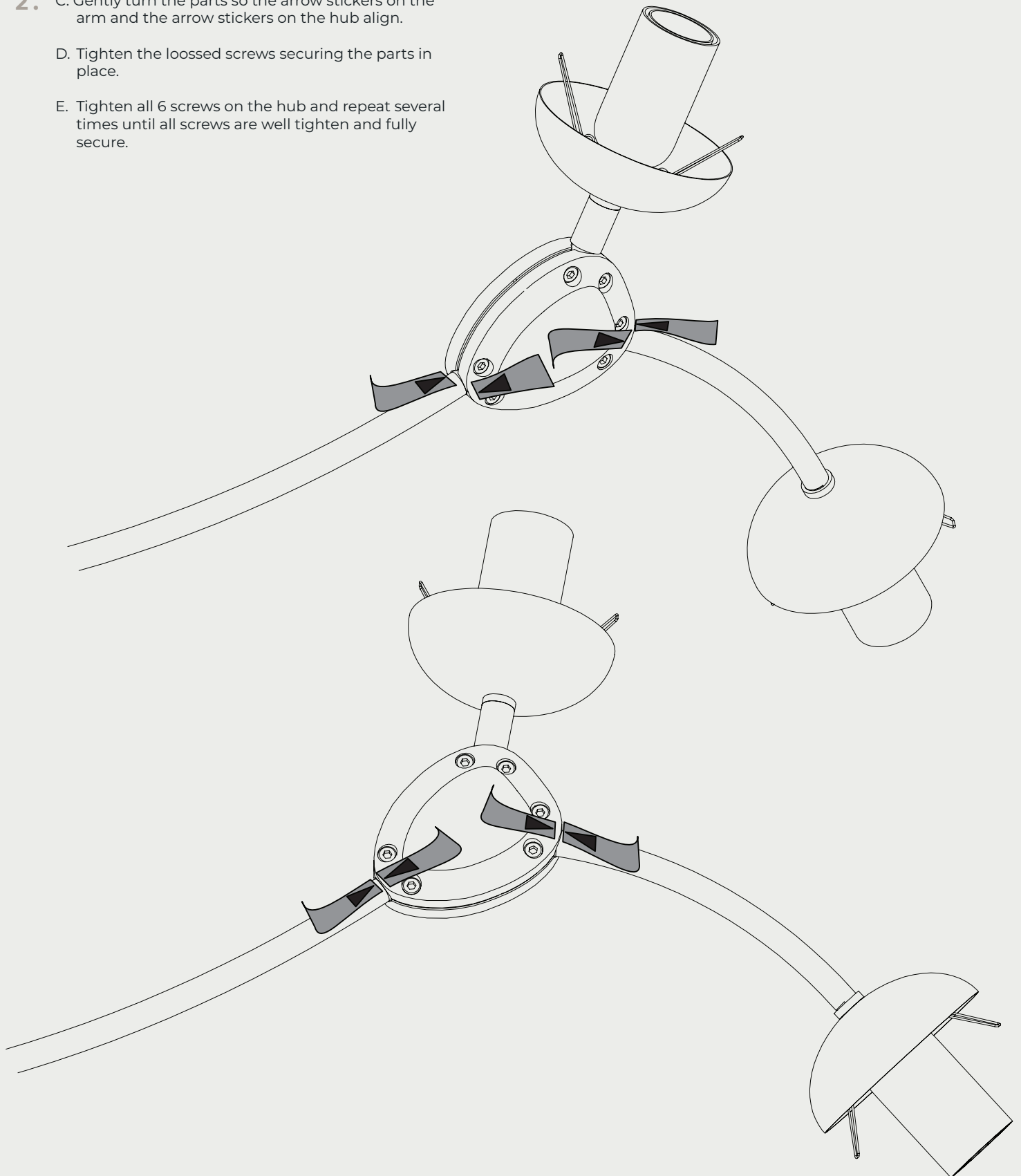
A. Place the body of the pendant onto a flat surface as shown below.

B. Starting from the outer hub (No.1, No.2, No.3), loosen the screws highlighted with arrows on the diagrams below.

Do not fully undo the screws from the modules, just enough to allow the arms to rotate.

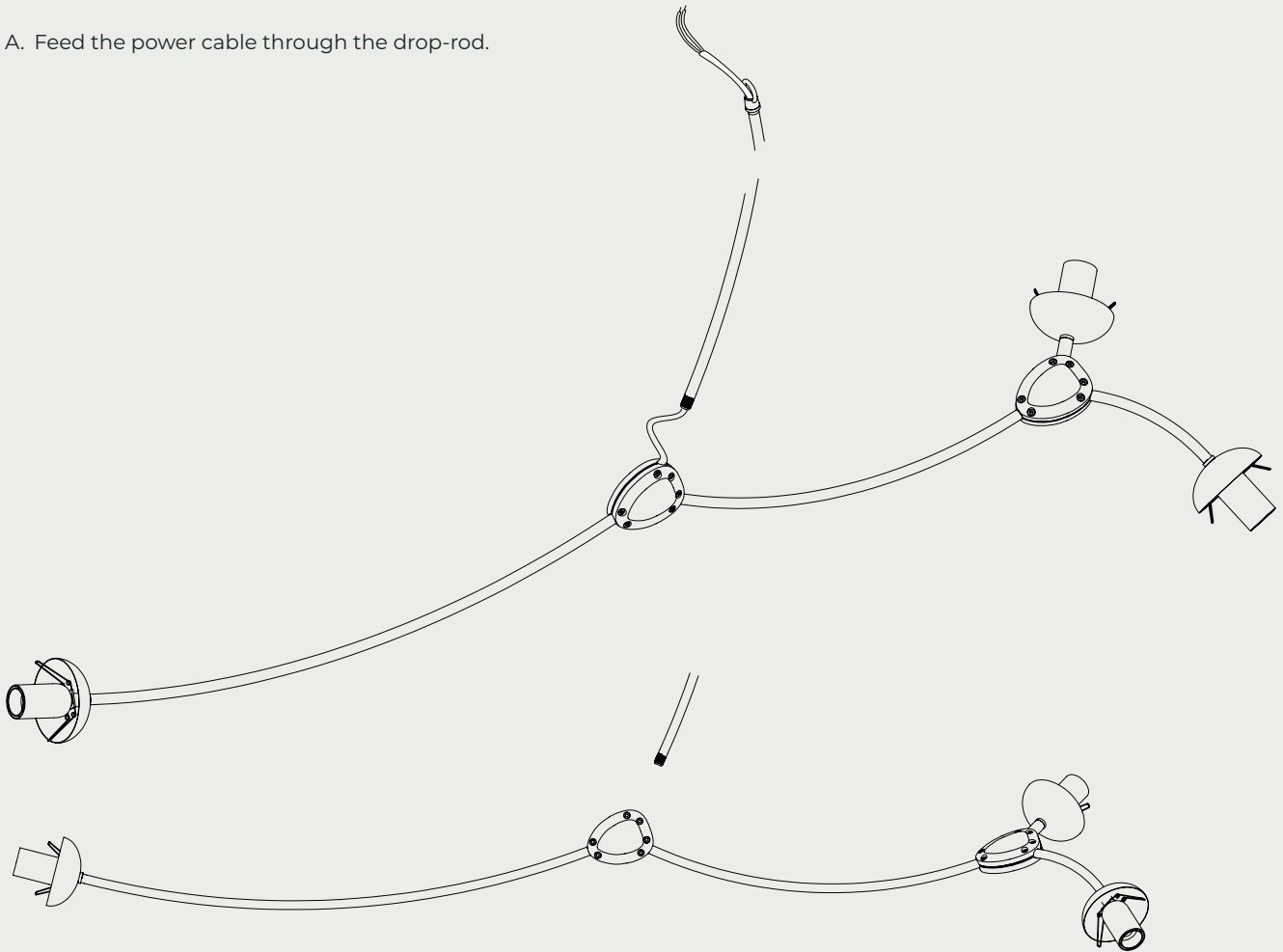


2. C. Gently turn the parts so the arrow stickers on the arm and the arrow stickers on the hub align.
- D. Tighten the loosened screws securing the parts in place.
- E. Tighten all 6 screws on the hub and repeat several times until all screws are well tighten and fully secure.



Note: Take care when using the allen-key not to damage the socket on each screw.  
If your allen-key is not in a perfect condition, replace the tool before continuing.  
Use allen-key size No.3 (3mm).

3. A. Feed the power cable through the drop-rod.

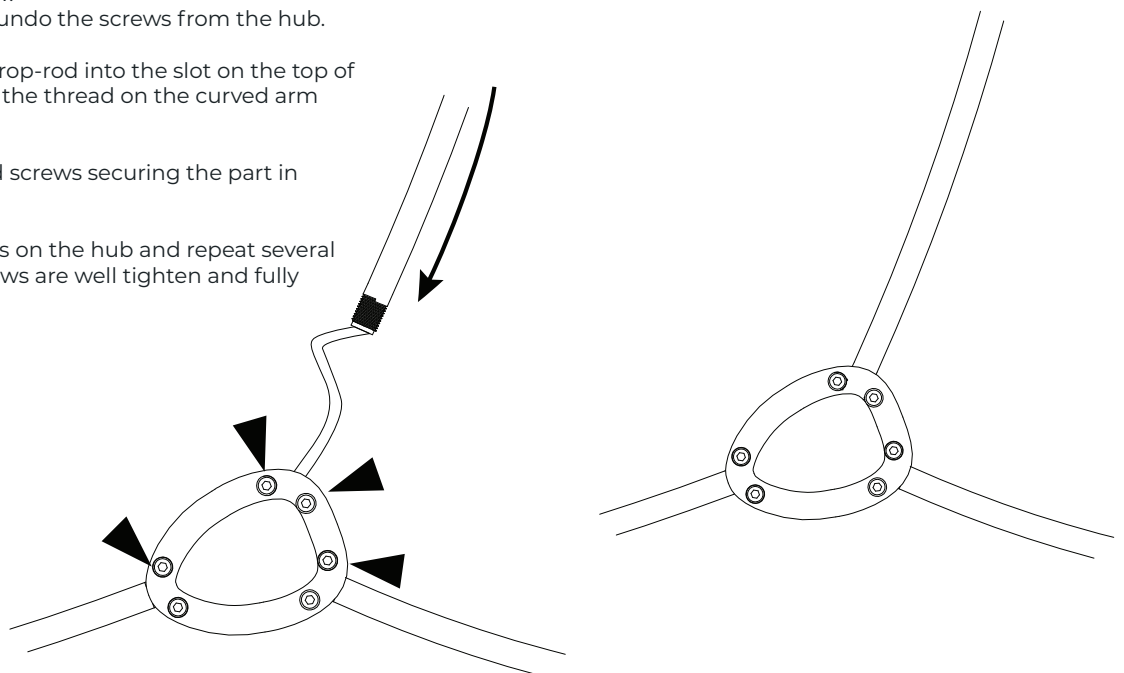


3. B. Undo the 4no. screws, highlighted with arrows on the diagram below.  
Note: Do not fully undo the screws from the hub.

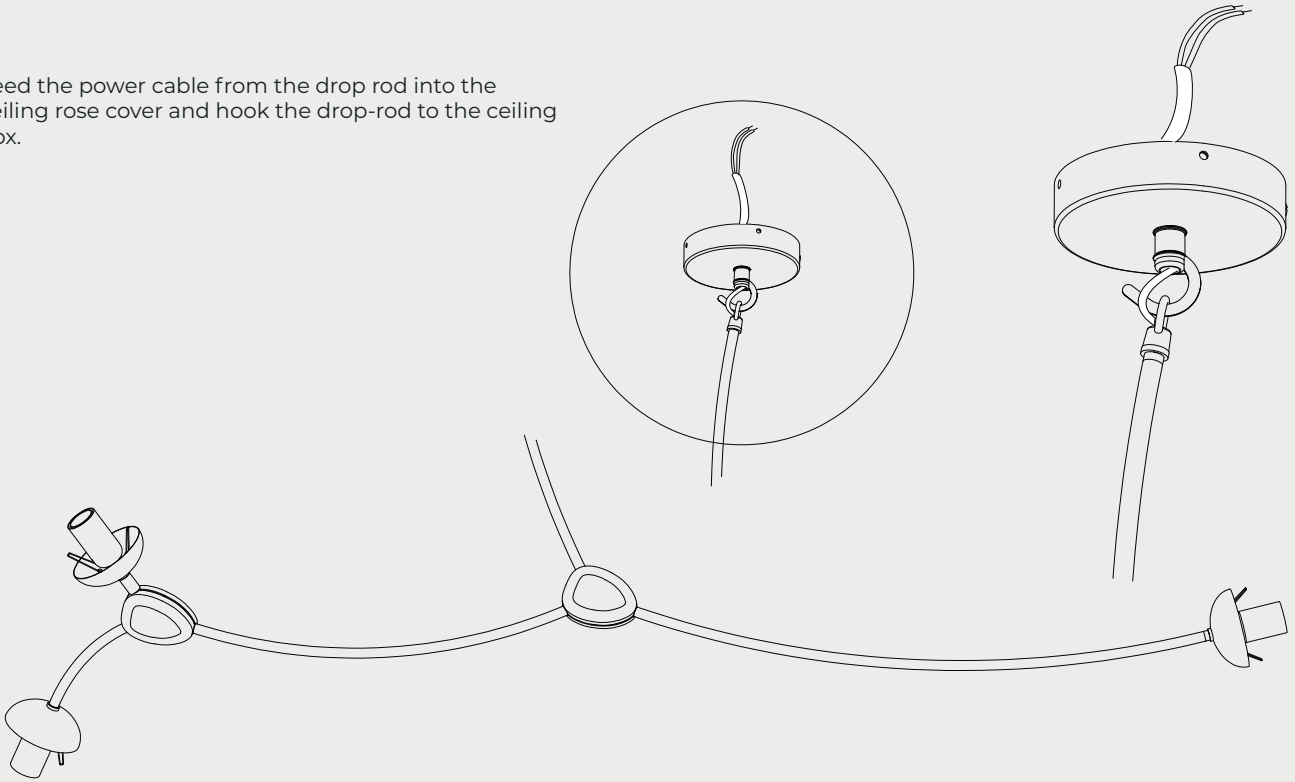
C. Push the curved drop-rod into the slot on the top of the module, until the thread on the curved arm is fully hidden.

D. Tighten the loosened screws securing the part in place.

E. Tighten all 6 screws on the hub and repeat several times until all screws are well tighten and fully secured.



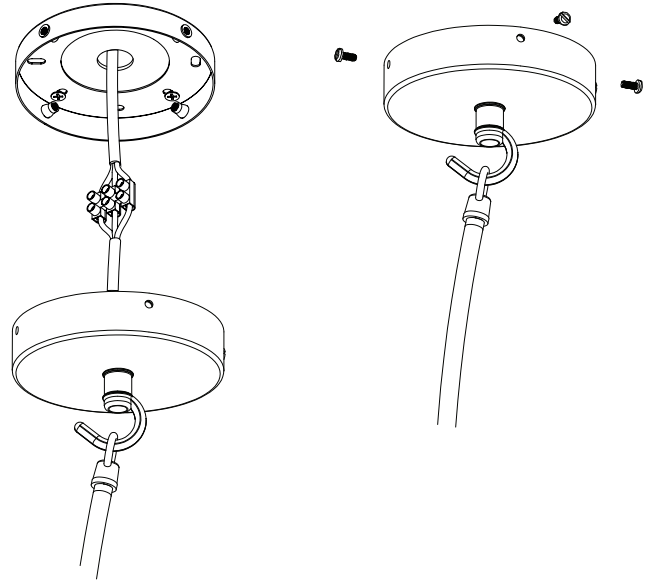
4. Feed the power cable from the drop rod into the ceiling rose cover and hook the drop-rod to the ceiling box.



5. Raise the pendant and make the electrical connections ensuring all wires are colour matched and the pendant is earthed correctly.

Bring the ceiling rose up to the mounted plate and secure using provided screws.

Note: Ensure that the weight of the pendant is fully supported during the electrical installation.

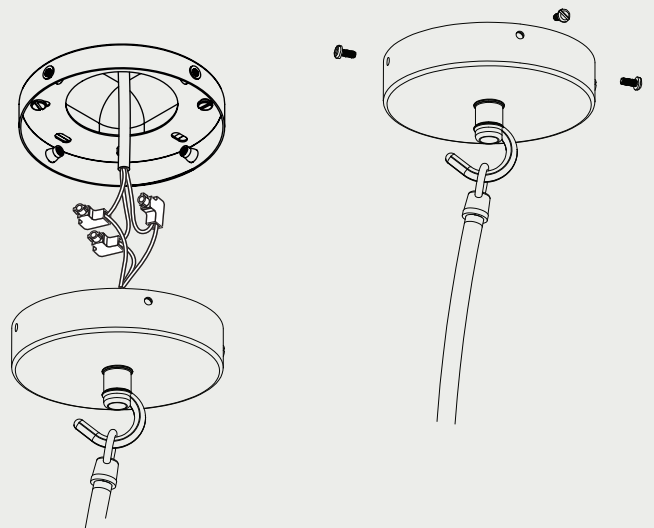


5. 120V

**US** Raise the pendant and make the electrical connections inside the junction box ensuring all wires are colour matched and the pendant is earthed correctly.

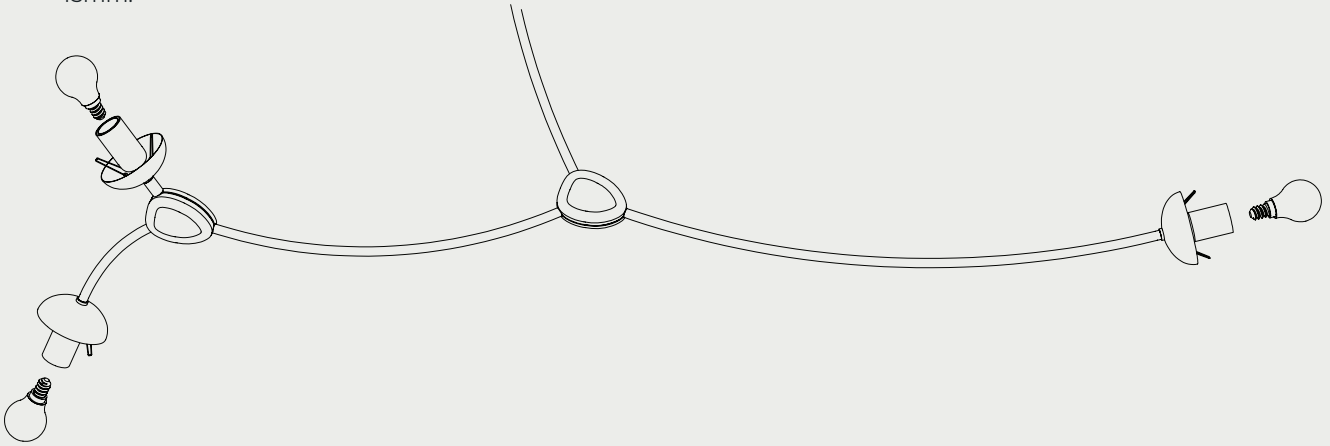
Bring the ceiling rose up to the mounted plate and secure using provided screws.

Note: Ensure that the weight of the pendant is fully supported during the electrical installation.



**6.** A. Fit the bulb (not supplied) to the lamp-holder.

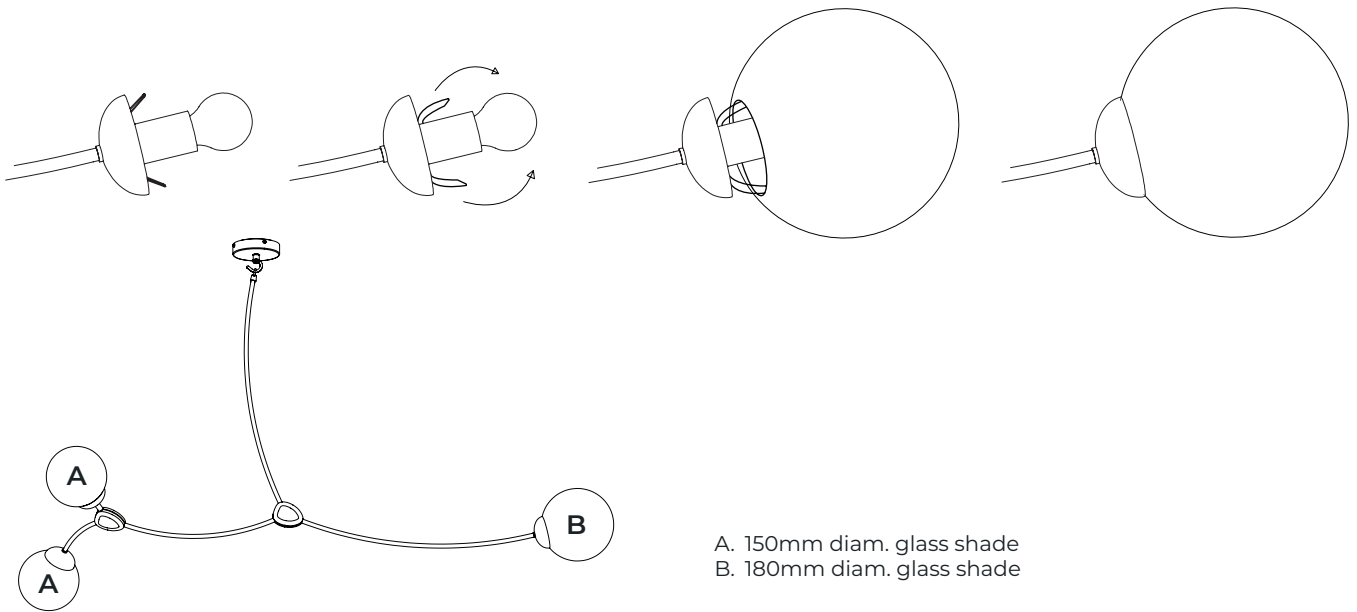
Note: The diameter of the bulb must be less than 45mm.



**7.** Fit the glass shades to the pendant body.

Pinch the spring clips inwards and hold, slowly feeding the opal glass shade over the sprung clips.

Do not release the opal glass shades too quickly.



A. 150mm diam. glass shade  
B. 180mm diam. glass shade

## MAINTENANCE

**Cleaning**

Dust using a dry lint-free cloth weekly or as required

**Repairs**

Contact  
CTO Lighting

**Warranty**

Please visit  
[www.ctolighting.co.uk/  
pages/f-a-q](http://www.ctolighting.co.uk/pages/f-a-q)  
for CTO warranty policy

**Certification**



E492308