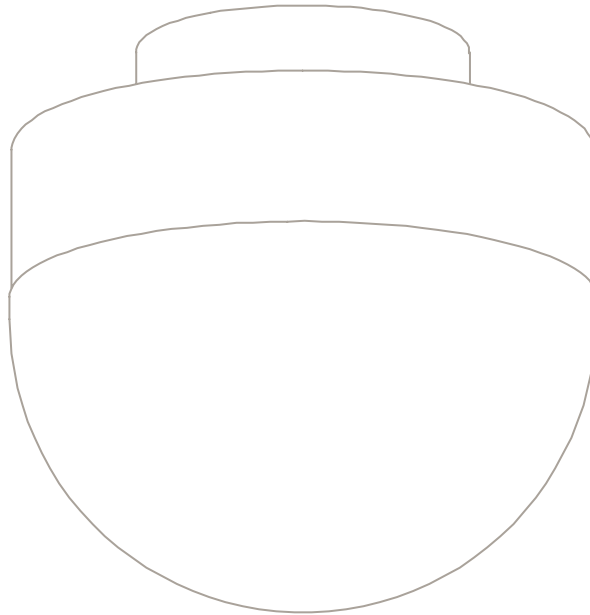


LUCID 200 FLUSH

Installation Guide



Please handle with care and wear gloves at all times during assembly and installation to avoid damaging components.

TECHNICAL

Bulb Holder
240v - 1 x E14,
120v - 1 x E12
(no bulbs supplied)

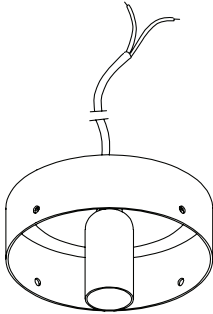
Wattage
6.5w - 2700k - LED ONLY

Weight
4kg (8.8lbs)

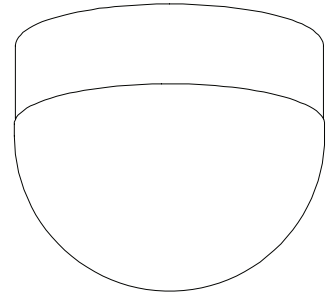
PARTS & COMPONENTS

- A. 1 x Mounting plate
- B. 1 x Alabaster shade
- C. 4 x M4x12 screws

A.



B.



C.

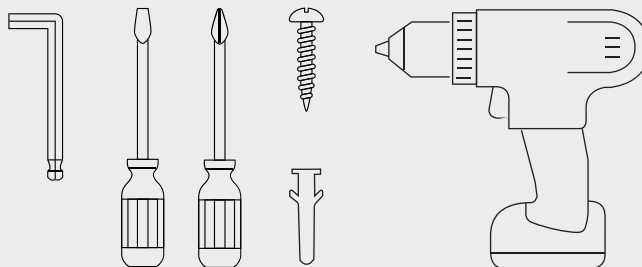


- All nuts and bolts required for assembling the light are included.



BEFORE INSTALLATION

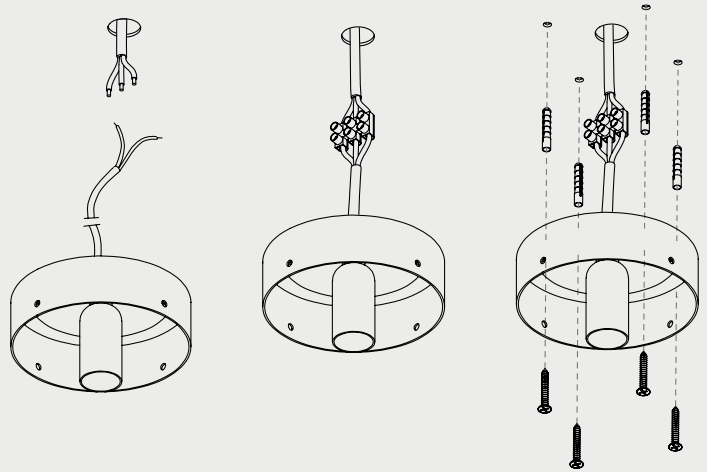
- Check that you have all components before starting the installation.
 - Installation must be carried out by a qualified electrician.
 - A minimum of two people is required to install a pendant light.
- Check that the ceiling or wall fixings are suitable and strong enough to support the weight of the light fixture.
 - You will need the below specific tools for a successful installation.



1. Raise the mounting plate towards the ceiling and make the electrical connection.

Fix the mounting plate to the ceiling.

Ensure that suitable screws are being used for the surface you are mounting to (not supplied).

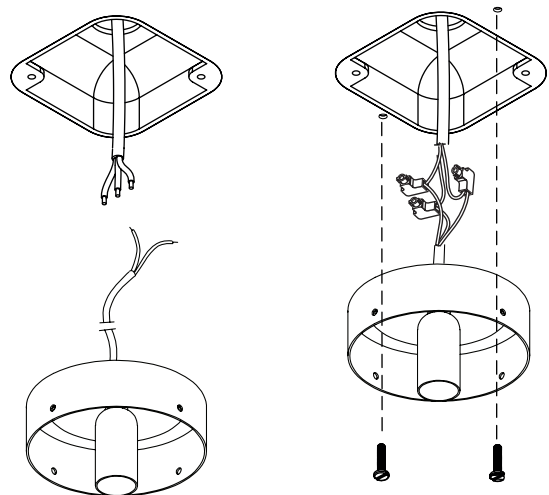


1. 120V
US

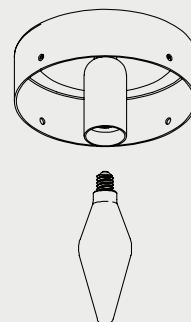
Raise the mounting plate and make the electrical connections inside the junction box ensuring all wires are colour matched and the pendant is earthed correctly.

Fix the mounting plate over the junction box using suitable screws.

Ensure that suitable screws are being used for the surface you are mounting to (not supplied).

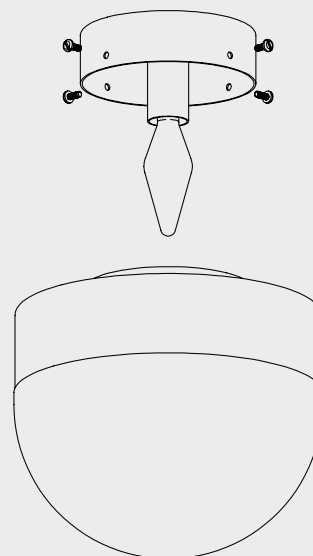


2. Fit the bulb (not supplied) to the lamp-holder.



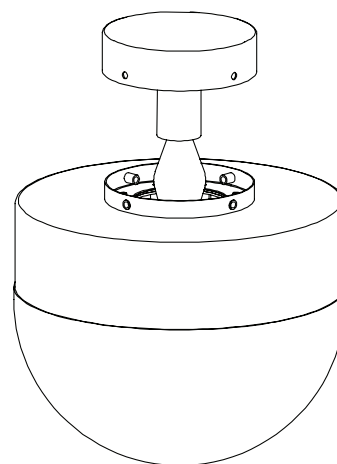
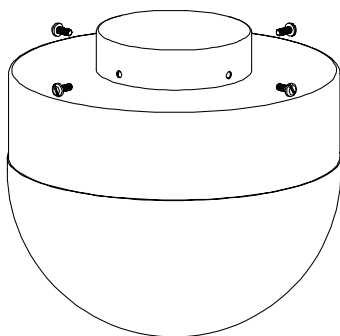
3. Raise the shade closer to the mounting plate and fit the bulb through the hole on the back of the shades.

Push the shade further up and secure it to the mounting plate with the provided screws.



5. To replace bulb:

1. Remove the 4 screws.
2. Gently lower the alabaster shade.



MAINTENANCE

Cleaning

Dust using a dry lint-free cloth weekly or as required

Repairs

Contact
CTO Lighting

Warranty

Please visit
[www.ctolighting.co.uk/
pages/f-a-q](http://www.ctolighting.co.uk/pages/f-a-q)
for CTO warranty policy

Certification



E492308