

LUCID PENDANT 200

FINISH

honed alabaster and bronze base
 honed alabaster and satin brass base
 honed alabaster and oxidised silvered brass base

DIMENSIONS (body of fixture)

ø 200 x 200 mm (dia x h)

WEIGHT

5kg (11lbs)
 please ensure ceiling structure is strong enough to support
 the weight of the light

OVERALL DROP

minimum 250 mm
 maximum on request 6225 mm
 supplied with 1000 mm drop rod

ILLUMINATION

220-240v - 1 x E14 - 6.5w 2700k LED ONLY
 110-130v - 1 x E12 - 6.5w 2700k LED ONLY

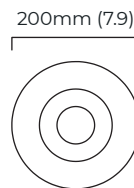
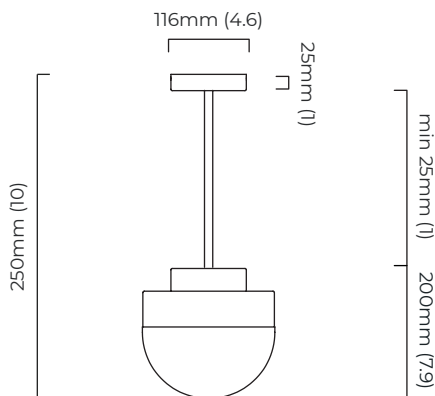
DIMMING

dimnable bulb required
 DALI option available (220-240v only)

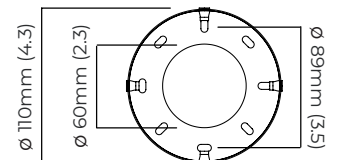
CEILING ROSE / PLATE

round ceiling rose - ø 116 x 25 mm (dia x h)

CERTIFICATION



mounting plate dimensions



*Diagrams are not to scale.

SKU NUMBER	FINISH DESCRIPTION	VOLTAGE
LUCPE2BZHA-240	honed alabaster and bronze base	220 - 240V
LUCPE2SBHA-240	honed alabaster and satin brass base	220 - 240V
LUCPE2OSHA-240	honed alabaster and oxidised silvered brass base	220 - 240V
LUCPE2BZHA-110	honed alabaster and bronze base	110 - 130V
LUCPE2SBHA-110	honed alabaster and satin brass base	110 - 130V
LUCPE2OSHA-110	honed alabaster and oxidised silvered brass base	110 - 130V

LUCID PENDANT 200 - DALI-A

FINISH

honed alabaster and bronze base
 honed alabaster and satin brass base
 honed alabaster and oxidised silvered brass base

DIMENSIONS (body of fixture)

ø 200 x 200 mm (dia x h)

WEIGHT

5kg (11lbs)
 please ensure ceiling structure is strong enough to support the weight of the light

OVERALL DROP

minimum 250 mm
 maximum on request 6225 mm
 supplied with 1000 mm drop rod

ILLUMINATION

220-240v - 1 x E14 - 6.5w 2700k LED ONLY
 DALI converter to be installed in the cavity
 converter can be placed up to 2m away from the light fixture

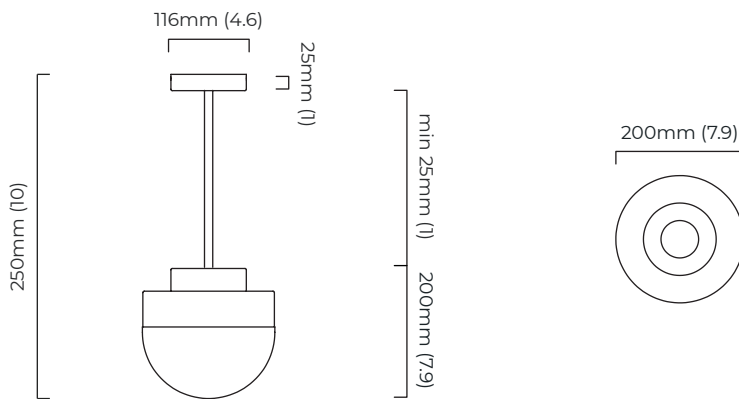
DIMMING

DALI compatible

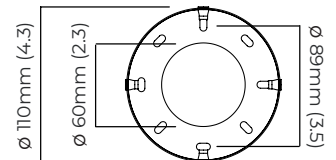
CEILING ROSE / PLATE

round ceiling rose - ø 116 x 25 mm (dia x h)

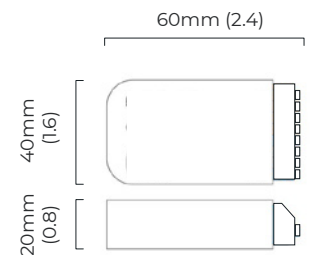
CERTIFICATION



mounting plate dimensions



DALI converter dimensions



*Diagrams are not to scale.

SKU NUMBER	FINISH DESCRIPTION	TYPE OF DALI	VOLTAGE
LUCPE2BZHA-DALIA-240	honed alabaster and bronze base	DALI A included - For lights that do not require aesthetic alterations. Dali can be fitted on the existent ceiling/wall rose	220 - 240V
LUCPE2SBHA-DALIA-240	honed alabaster and satin brass base	DALI A included - For lights that do not require aesthetic alterations. Dali can be fitted on the existent ceiling/wall rose	220 - 240V
LUCPE2OSHA-DALIA-240	honed alabaster and oxidised silvered brass base	DALI A included - For lights that do not require aesthetic alterations. Dali can be fitted on the existent ceiling/wall rose	220 - 240V