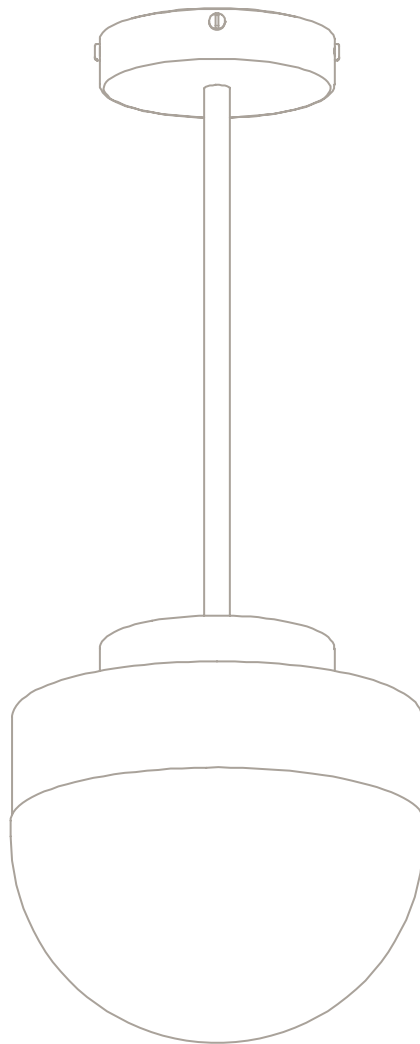


## LUCID 200 PENDANT

Installation Guide



Please handle with care and wear gloves at all times during assembly and installation to avoid damaging components.

## TECHNICAL

**Bulb Holder**  
 240v - 1 x E14  
 120v - 1 x E12  
 (no bulbs supplied)

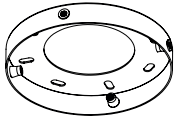
**Wattage**  
 6.5w - 2700k - LED ONLY

**Weight**  
 5kg (11lbs)

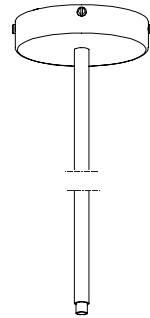
## PARTS & COMPONENTS

- A. 1 x Mounting plate
- B. 1 x Ceiling rose cover with droprod
- C. 1 x Cover
- D. 1 x lamp holder
- E. 1 x Alabaster shade
- F. 8 x M4x12 screws

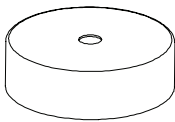
A.



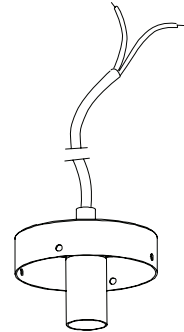
B.



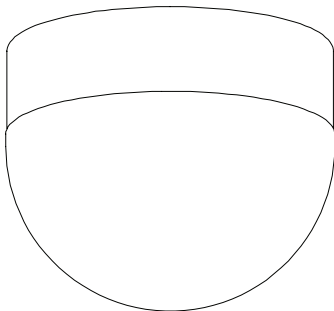
C.



D.



E.



F.

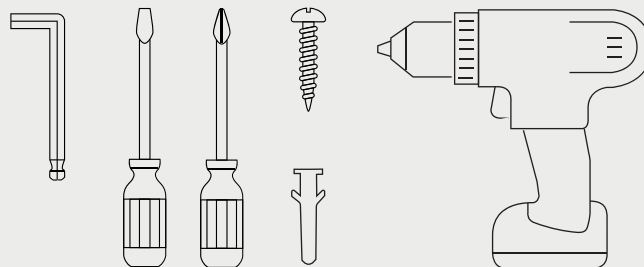


- All nuts and bolts required for assembling the light are included.



## BEFORE INSTALLATION

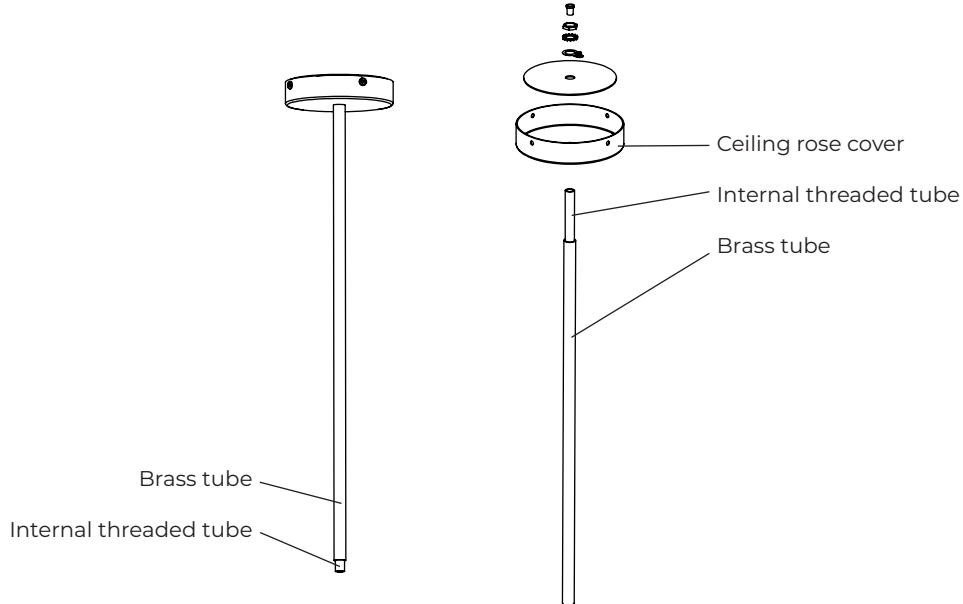
- Check that you have all components before starting the installation.
  - Installation must be carried out by a qualified electrician.
  - A minimum of two people is required to install a pendant light.
- Check that the ceiling or wall fixings are suitable and strong enough to support the weight of the light fixture.
  - You will need the below specific tools for a successful installation.



## HEIGHT ADJUSTMENT INSTRUCTIONS

Before attaching the drop rod to the body of the light, calculate the required total drop from ceiling to bottom of pendant. If any height adjustment is required, follow the steps below:

1. Separate the brass tube and the internal threaded tube from the ceiling rose cover by unscrewing the bolt.

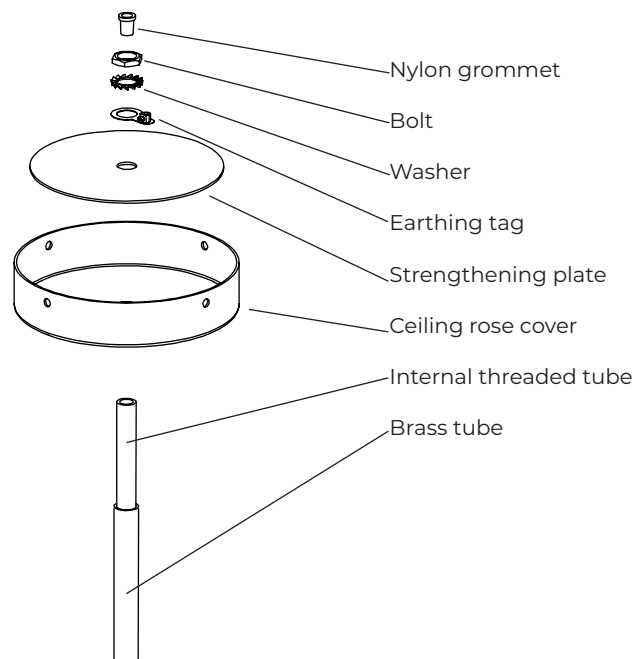


2. Measure the length the drop rod needs to be.
3. Cut the brass tube to this length using a hacksaw or similar tool.
4. Cut the same length from the internal threaded tube.

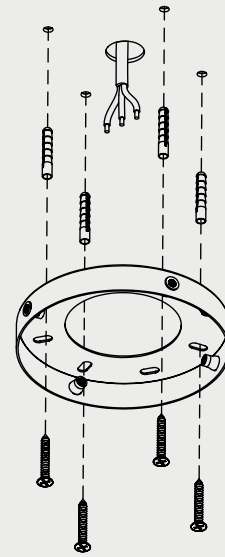
NOTE: Internal threaded tube must always be longer than the brass tube.

5. Once the brass tube and internal threaded tube are cut to correct lengths, slide the brass tube over the internal threaded tube and attach them back to the ceiling rose cover by using components provided.

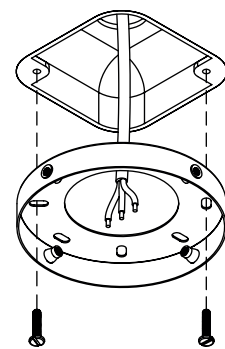
6. Once satisfied with the fit, secure bolts and all-thread with Loc-tite or similar adhesive.



1. Fix the mounting plate to the ceiling. Ensure that suitable screws are being used for the surface that you are mounting to (not supplied).



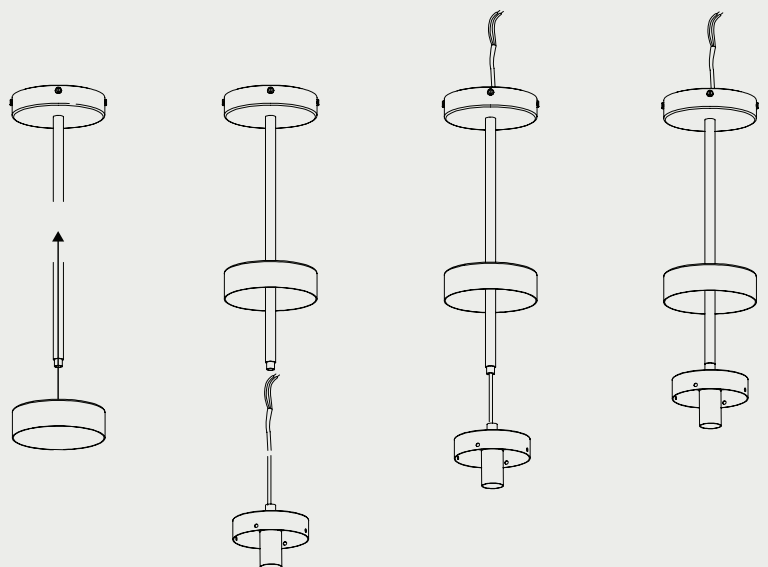
1. 120v  
**US** Fix the mounting plate to the junction box using suitable screws (not supplied).



2. Place the cover spinning to the drop rod. Do not remove the protective material from the cover and drop rod.

Feed the power cable from lamp-holder through the drop rod and into to the ceiling rose cover.

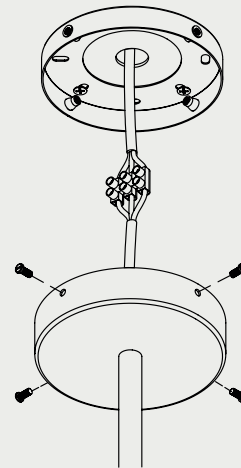
Rotate the internal threaded tube into the coupler until it is fully tightened and secured to the lamp-holder.



3. Raise the pendant and make the electrical connections ensuring all wires are colour matched and the pendant is earthed correctly.

Bring the ceiling rose up to the mounted plate and secure using provided screws.

Note: Ensure that the weight of the pendant is fully supported during the electrical installation.

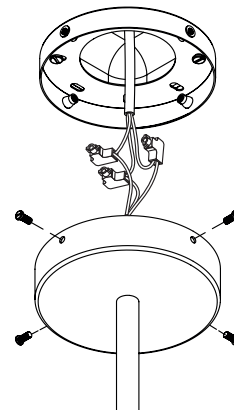


3. 120V

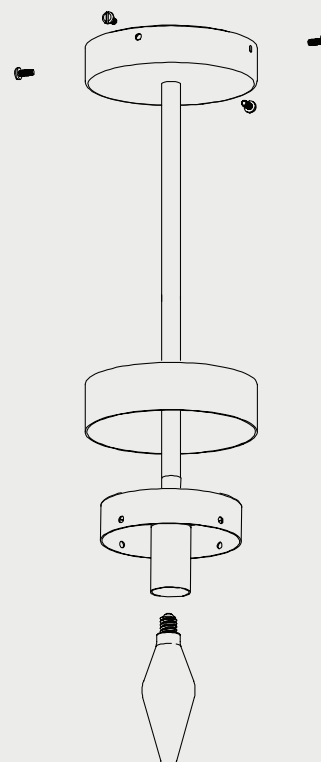
- US** Raise the pendant and make the electrical connections inside the junction box ensuring all wires are colour matched and the pendant is earthed correctly.

Bring the ceiling rose up to the mounted plate and secure using provided screws.

Note: Ensure that the weight of the pendant is fully supported during the electrical installation.



4. Fit the bulb (not supplied) to the lampholder.

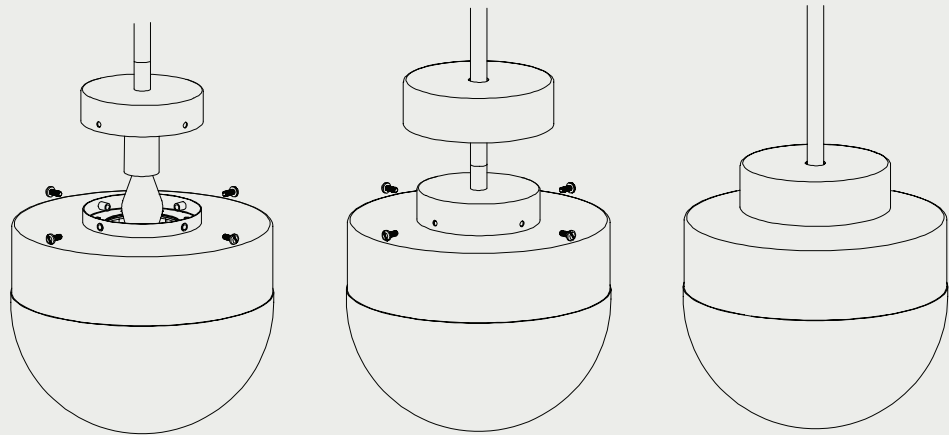


5. Raise the shade to the lamp-holder and fit the bulb through the hole on the top of the shades.

Further raise the shade and secure it to the internal plate with the provided screws.

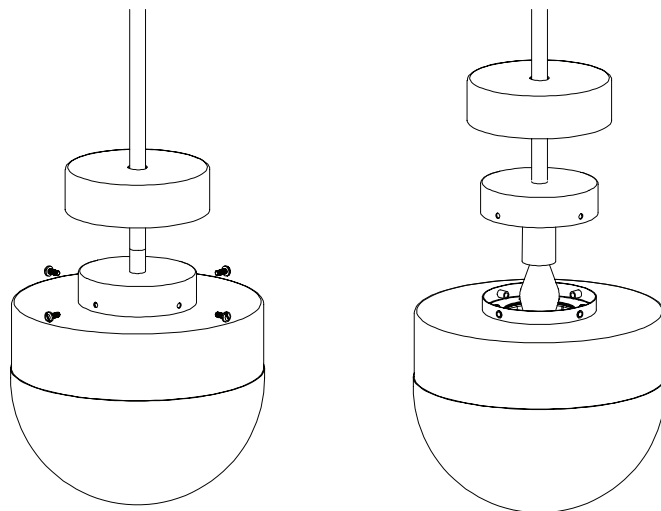
Lower the cover to sit on top of the shade.

Remove all protective material from the cover, shade and drop rod.



6. Replace bulb:

1. Raise the cover.
2. Remove the 4 screws.
3. Gently lower the alabaster shade.



## MAINTENANCE

### Cleaning

Dust using a dry lint-free cloth weekly or as required

### Repairs

Contact  
CTO Lighting

### Warranty

Please visit  
[www.ctolighting.co.uk/  
pages/f-a-q](http://www.ctolighting.co.uk/pages/f-a-q)  
for CTO warranty policy

### Certification



E492308