

LUNAR PENDANT MEDIUM

FINISH

bronze with satin brass and bronze oval chain

DIMENSIONS (body of fixture)

600 x 400 x 600 mm (w x d x h)

WEIGHT

8kg (17.6lbs)

please ensure ceiling structure is strong enough to support the weight of the light

OVERALL DROP

minimum 675 mm

maximum on request 6625 mm

supplied with 1000 mm drop rod

ILLUMINATION

220-240v - 1 x E27 - 12.5w PAR 30 2700k LED ONLY

110-130v - 1 x E26 - 12.5w PAR 30 2700k LED ONLY

DIMMING

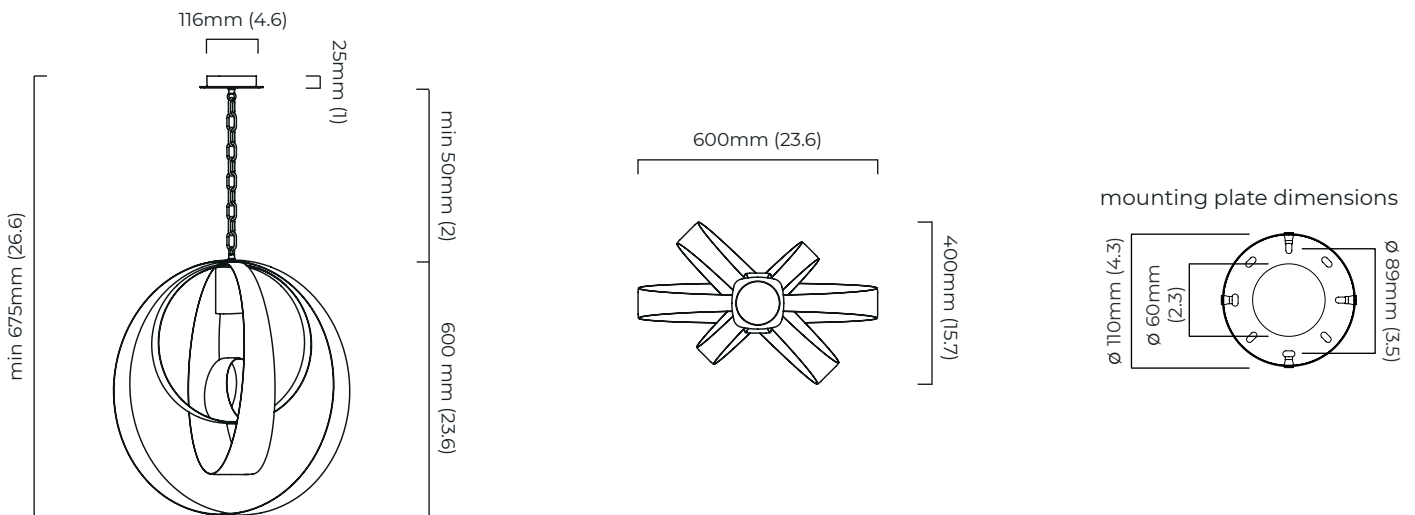
dimnable bulb required

DALI option available (220-240v only)

CEILING ROSE / PLATE

round ceiling rose - \varnothing 116 x 25 mm (dia x h)

CERTIFICATION



*Diagrams are not to scale.

SKU NUMBER	FINISH DESCRIPTION	VOLTAGE
LUNPEMBZSB-240	bronze with satin brass and bronze oval chain	220 - 240V
LUNPEMBZSB-110	bronze with satin brass and bronze oval chain	110 - 130v

LUNAR PENDANT MEDIUM - DALI-A

FINISH

bronze with satin brass and bronze oval chain

DIMENSIONS (body of fixture)

600 x 400 x 600 mm (w x d x h)

WEIGHT

8kg (17.6lbs)

please ensure ceiling structure is strong enough to support the weight of the light

OVERALL DROP

minimum 675 mm

maximum on request 6625 mm

supplied with 1000 mm drop rod

ILLUMINATION

220-240v - 1 x E27 - 12.5w PAR 30 2700k LED ONLY

DALI converter to be installed in the cavity

converter can be placed up to 2m away from the light fixture

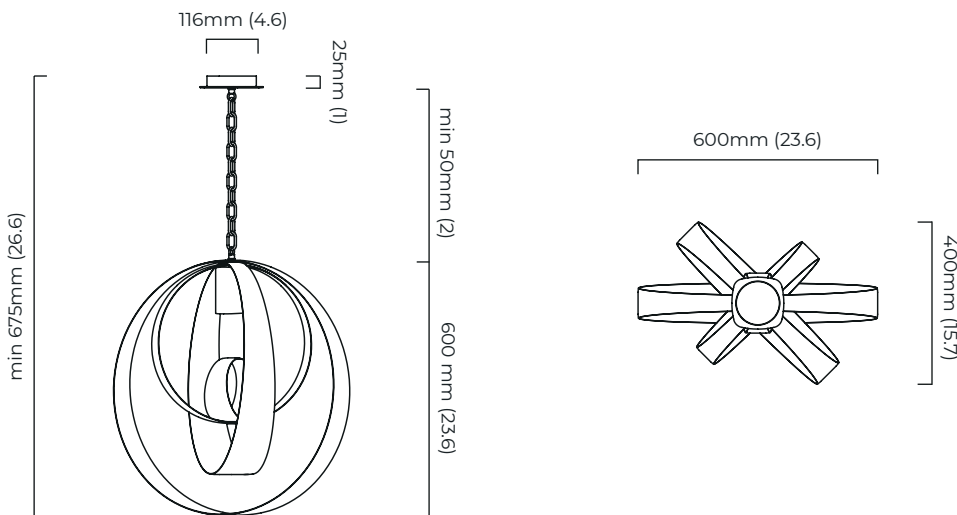
DIMMING

DALI compatible

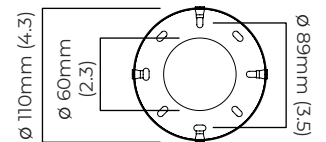
CEILING ROSE / PLATE

round ceiling rose - \varnothing 116 x 25 mm (dia x h)

CERTIFICATION



mounting plate dimensions



DALI converter dimensions

*Diagrams are not to scale.

SKU NUMBER	FINISH DESCRIPTION	TYPE OF DALI	VOLTAGE
LUNPEMBZSB-DALIA-240	bronze with satin brass and bronze oval chain	DALI A included - For lights that do not require aesthetic alterations. Dali can be fitted inside the ceiling/wall cavity	220 - 240V