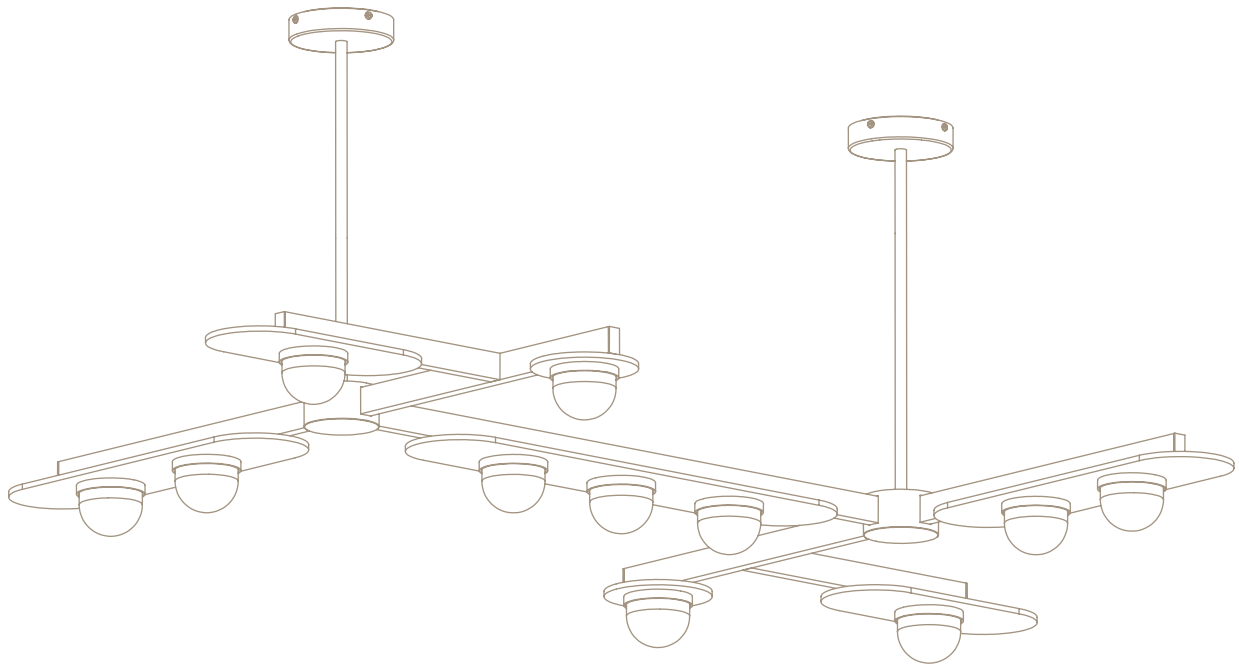


MODULO GRID PENDANT

Installation Guide



!

Please handle with care and wear gloves at all times during assembly and installation to avoid damaging components.

TECHNICAL

Bulb Holder
Integrated LED

Wattage
49.5W
(LED 2700k)

Weight
18kg (39.7lbs)

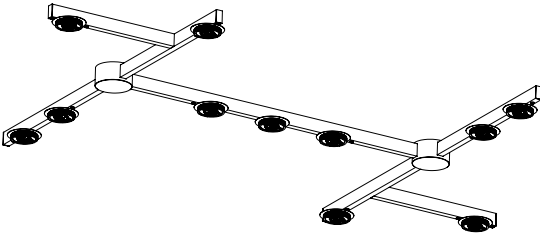
PARTS & COMPONENTS

- A. 1 x Modulo grid body
- B. 2 x Ceiling rose and drop rod
- C. 2 x Mounting plate
- D. 2 x Top plates
- E. 11 x Glass domes

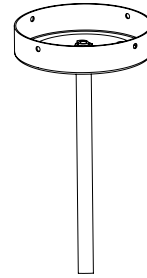
- F. 7 x Back glass

- 2 x Round glass
- 2 x Single glass
- 2 x Twin glass
- 1 x Triple glass

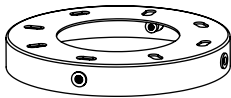
A.



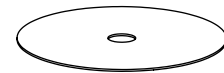
B.



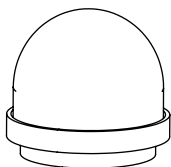
C.



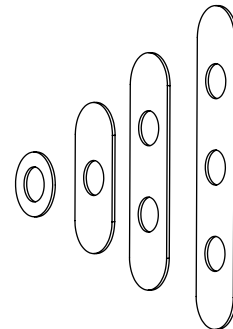
D.



E.



F.



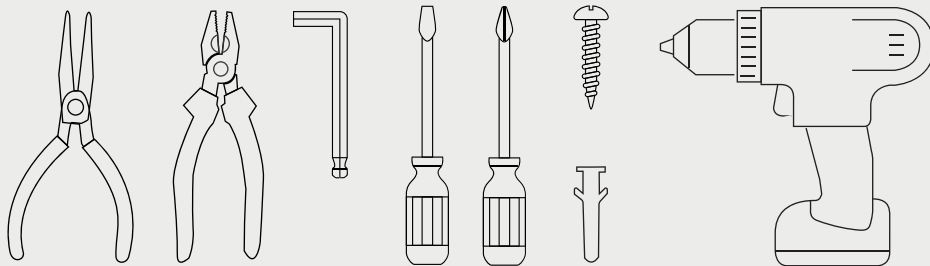
- All nuts and bolts required for the installation will be included in the delivery.



BEFORE INSTALLATION

- Check that you have all components before starting the installation.
 - Installation must be carried out by a qualified electrician.
 - A minimum of two people is required to install a pendant light.
- Check that the ceiling or wall fixings are suitable and strong enough to support the weight of the light fixture.
 - You will need the below specific tools for a successful installation..

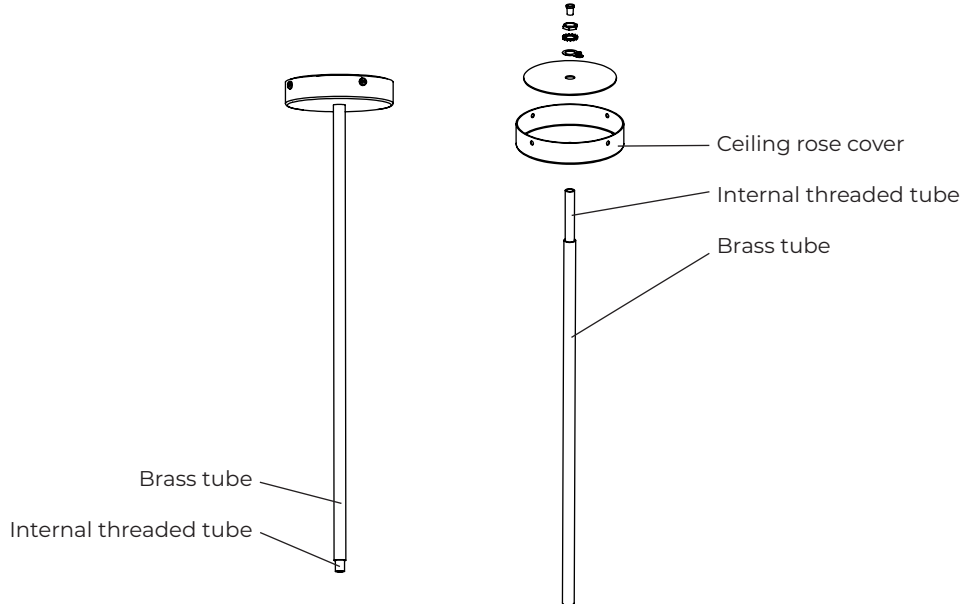
If height adjustment on site is required please see height adjustment instructions on page 4, before you start assembling the pendant.



HEIGHT ADJUSTMENT INSTRUCTIONS

Before attaching the drop rod to the body of the light, calculate the required total drop from ceiling to bottom of pendant. If any height adjustment is required, follow the steps below:

1. Separate the brass tube and the internal threaded tube from the ceiling rose cover by unscrewing the bolt.

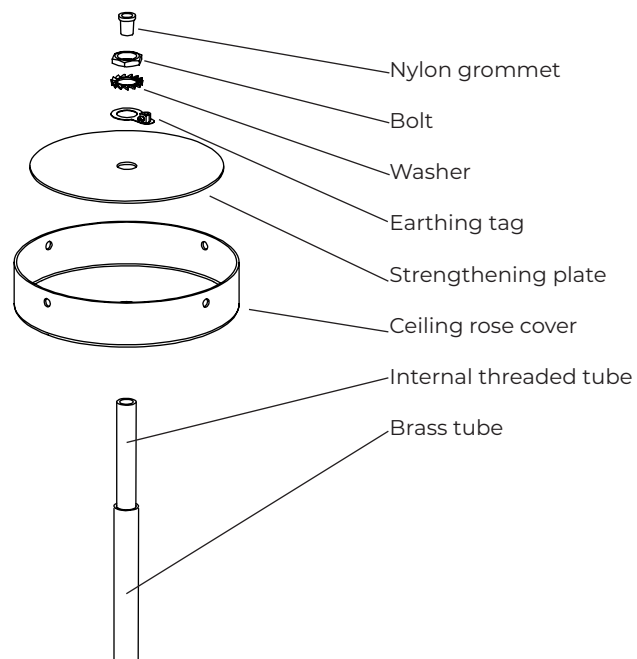


2. Measure the length the drop rod needs to be.
3. Cut the brass tube to this length using a hacksaw or similar tool.
4. Cut the same length from the internal threaded tube.

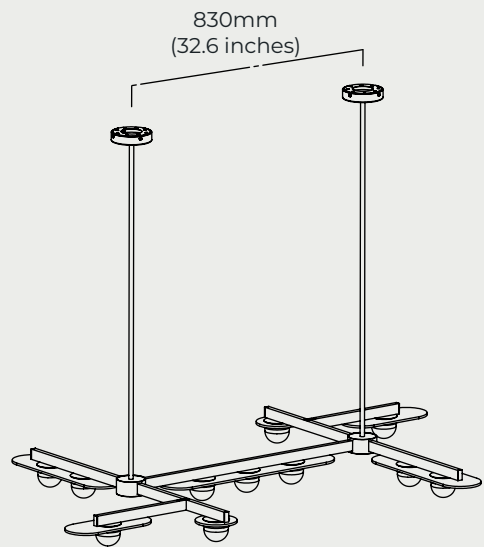
NOTE: Internal threaded tube must always be longer than the brass tube.

5. Once the brass tube and internal threaded tube are cut to correct lengths, slide the brass tube over the internal threaded tube and attach them back to the ceiling rose cover by using components provided.

6. Once satisfied with the fit, secure bolts and all-thread with Loc-tite or similar adhesive.

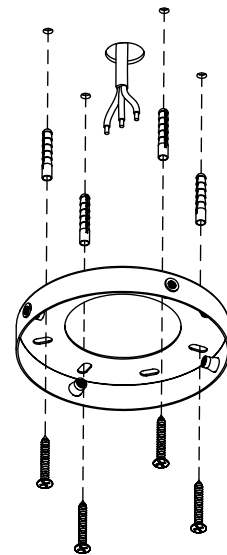


1. Mark on the ceiling the location for the 2x ceiling roses. The center of these needs to be 830mm (32.6 inches) apart.



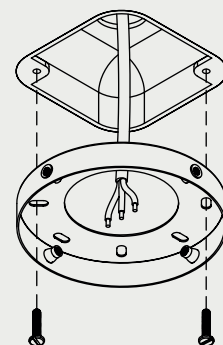
2. Fix both mounting plates to the ceiling. Ensure that suitable screws are being used for the surface that you are mounting to (not supplied).

Note: Power cables are required only on one of the two ceiling roses.



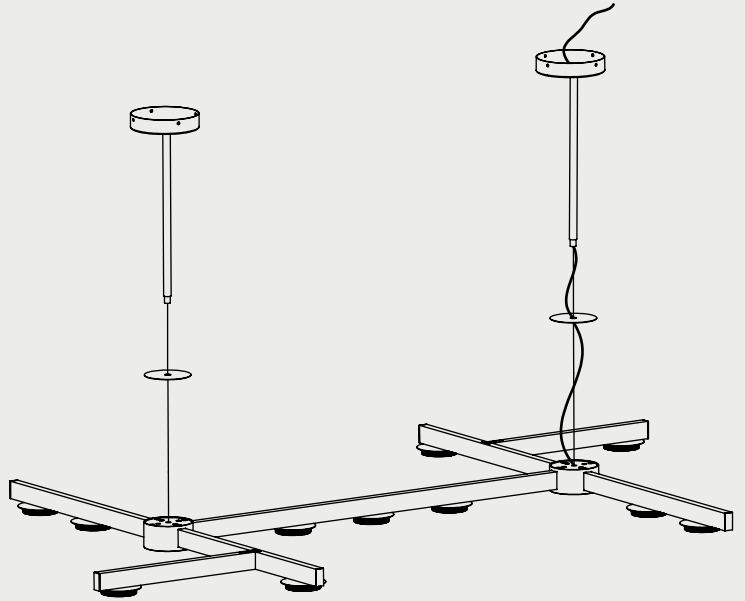
2. 120v
US Fix both mounting plates to the junction box using suitable screws (not supplied).

Note: Power cables are required only on one of the two ceiling roses.



3. Place the Top Plates onto the Grid Body and screw in the Ceiling rose and Drop rod.

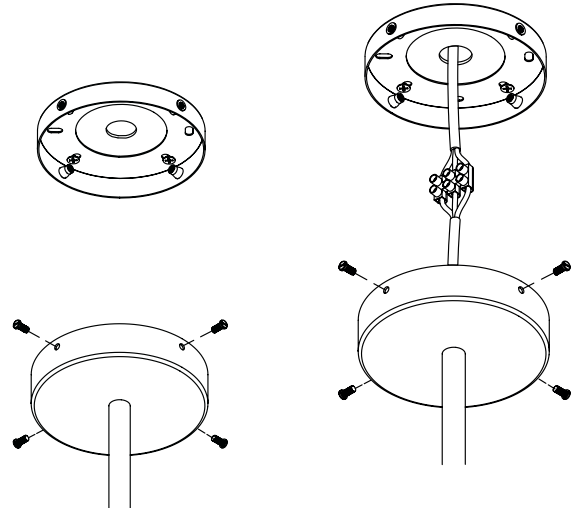
Feed the power cable through one of the drop rods.



4. Raise the pendant and make the electrical connections ensuring all wires are colour matched and the pendant is earthed correctly on one of the drop rods.

Bring both the ceiling roses up to the mounted plate and secure using provided screws.

Note: Ensure that the weight of the pendant is fully supported during the electrical installation.



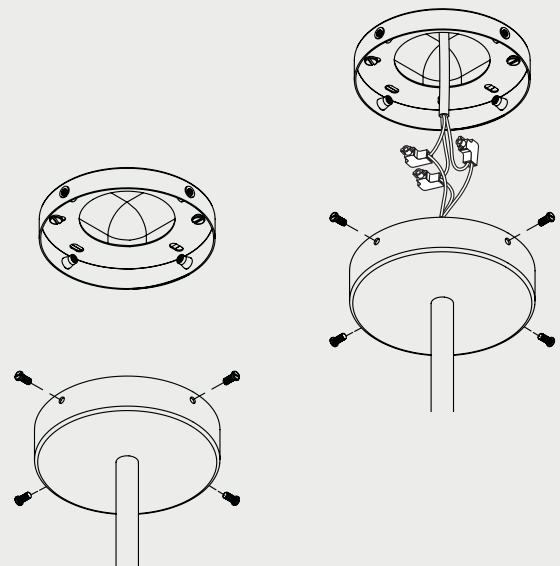
4. US

120V

Raise the pendant and make the electrical connections inside the junction box ensuring all wires are colour matched and the pendant is earthed correctly on one of the drop rods.

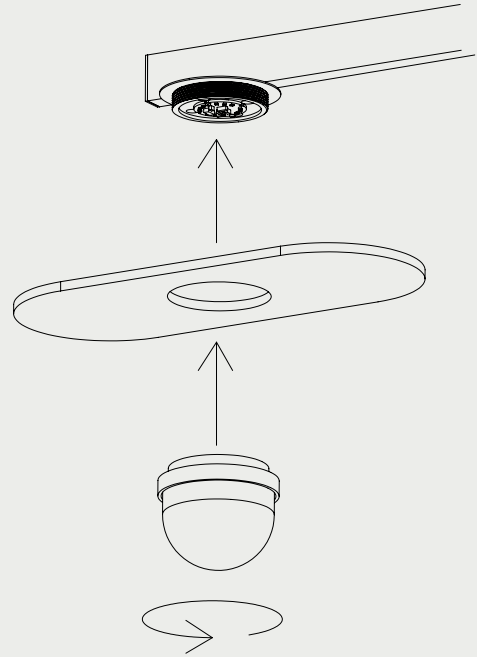
Bring both the ceiling roses up to the mounted plate and secure using provided screws.

Note: Ensure that the weight of the pendant is fully supported during the electrical installation.

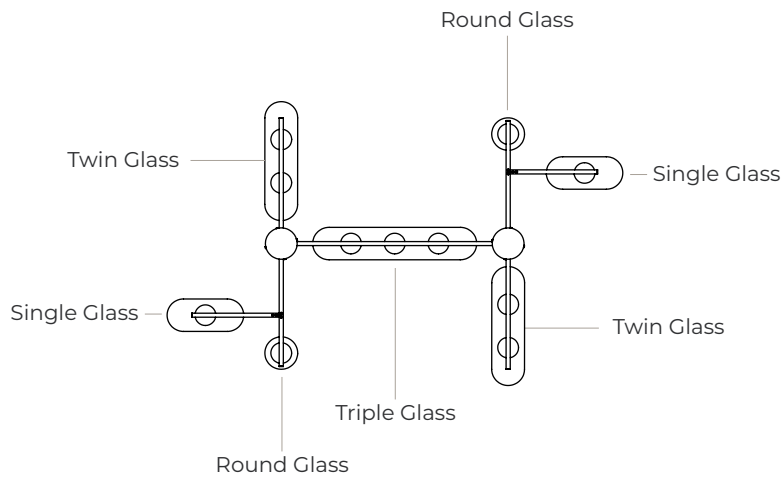


6. Fit the back glass onto the body by screwing on the dome glass.

Note: the glossy side of the oval glass to be facing outwards



The back glass is laid out in this arrangement.



MAINTENANCE

Cleaning

Dust using a dry lint-free cloth weekly or as required

Repairs

Contact
CTO Lighting

Warranty

Please visit
[www.ctolighting.co.uk/
pages/f-a-q](http://www.ctolighting.co.uk/pages/f-a-q)
for CTO warranty policy

Certification

