

MODULO PENDANT HORIZONTAL

FINISH

bronze with smoked kiln cast glass and opal glass shades
satin brass with smoked kiln cast glass and opal glass shades

DIMENSIONS (body of fixture)

1880 x 120 x 100 mm (w x d x h)

WEIGHT

11kg (24.3lbs)
please ensure ceiling structure is strong enough to support the weight of the light

OVERALL DROP

minimum 145 mm
maximum on request 6125 mm
supplied with 1000 mm drop rod

ILLUMINATION

220-240v - integrated mains LED - 27w - 2700k
110-130v - integrated mains LED - 27w - 2700k

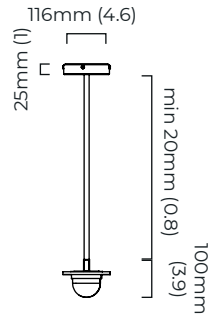
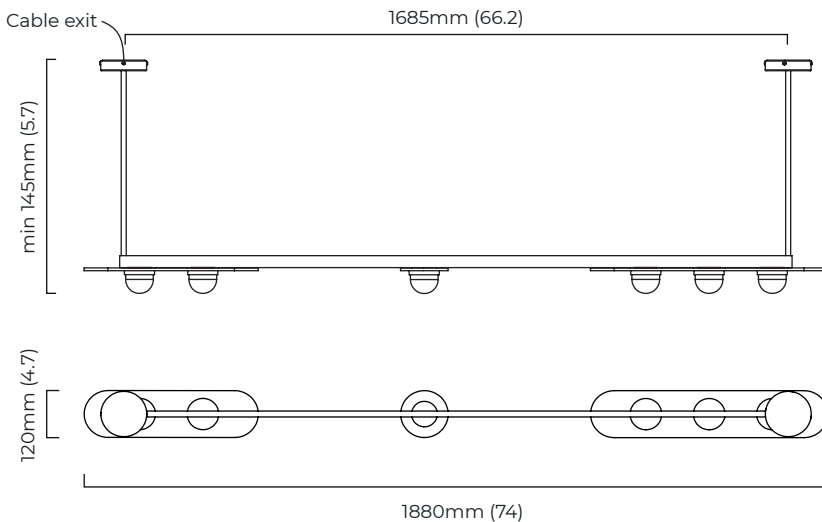
DIMMING

trailing dimmable / phase cut (rotary dimmer) - standard
* DALI option available (220-240v only), see next page

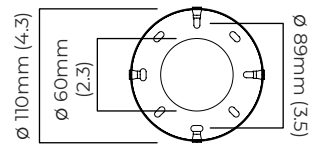
CEILING ROSE / PLATE

round ceiling rose - \varnothing 116 x 25 mm (dia x h)

CERTIFICATION



mounting plate dimensions



*Diagrams are not to scale.

SKU NUMBER	FINISH DESCRIPTION	VOLTAGE
MODPEHLBZSKMO-240	bronze with smoked kiln cast glass and opal glass shades	220 - 240V
MODPEHLSBSKMO-240	satin brass with smoked kiln cast glass and opal glass shades	220 - 240V
MODPEHLBZSKMO-110	bronze with smoked kiln cast glass and opal glass shades	110 - 130V
MODPEHLSBSKMO-110	satin brass with smoked kiln cast glass and opal glass shades	110 - 130V

MODULO PENDANT HORIZONTAL - DALI-A

FINISH

bronze with smoked kiln cast glass and opal glass shades
satin brass with smoked kiln cast glass and opal glass shades

DIMENSIONS (body of fixture)

1880 x 120 x 100 mm (w x d x h)

WEIGHT

11kg (24.3lbs)

please ensure ceiling structure is strong enough to support the weight of the light

OVERALL DROP

minimum 145 mm

maximum on request 6125 mm

supplied with 1000 mm drop rod

ILLUMINATION

220-240v - integrated mains LED - 27w - 2700k

DALI converter to be installed in the ceiling cavity

converter can be placed up to 2m away from the light fixture

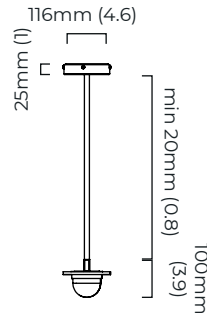
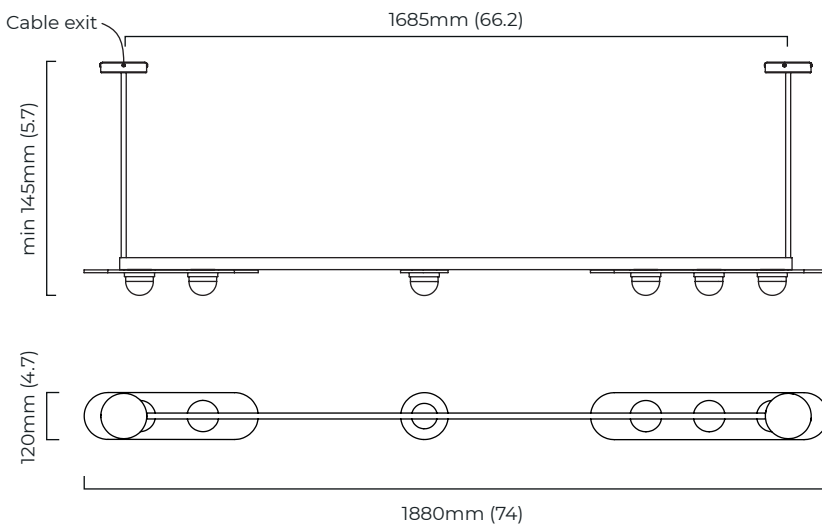
DIMMING

DALI compatible

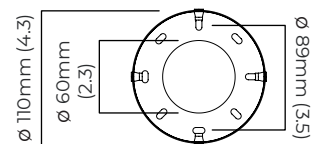
CEILING ROSE / PLATE

round ceiling rose - \varnothing 116 x 25 mm (dia x h)

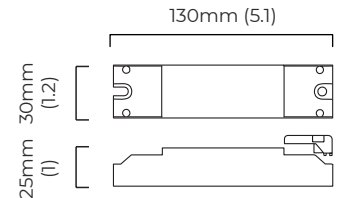
CERTIFICATION



mounting plate dimensions



DALI converter dimensions



*Diagrams are not to scale.

SKU NUMBER	FINISH DESCRIPTION	TYPE OF DALI	VOLTAGE
MODPEHLBZSKMO-DALIA-240	bronze with smoked kiln cast glass and opal glass shades	DALI A included - For lights that do not require aesthetic alterations. Dali can be fitted inside the ceiling/wall cavity	220 - 240V
MODPEHLSBSKMO-DALIA-240	satin brass with smoked kiln cast glass and opal glass shades	DALI A included - For lights that do not require aesthetic alterations. Dali can be fitted inside the ceiling/wall cavity	220 - 240V

MODULO PENDANT HORIZONTAL - DALI-B

FINISH

bronze with smoked kiln cast glass and opal glass shades
satin brass with smoked kiln cast glass and opal glass shades

DIMENSIONS (body of fixture)

1880 x 120 x 100 mm (w x d x h)

WEIGHT

11kg (24.3lbs)

please ensure ceiling structure is strong enough to support the weight of the light

OVERALL DROP

minimum 155 mm

maximum on request 6135 mm

supplied with 1000 mm drop rod

ILLUMINATION

220-240v - integrated mains LED - 27w - 2700k

DALI converter to be installed in the ceiling rose

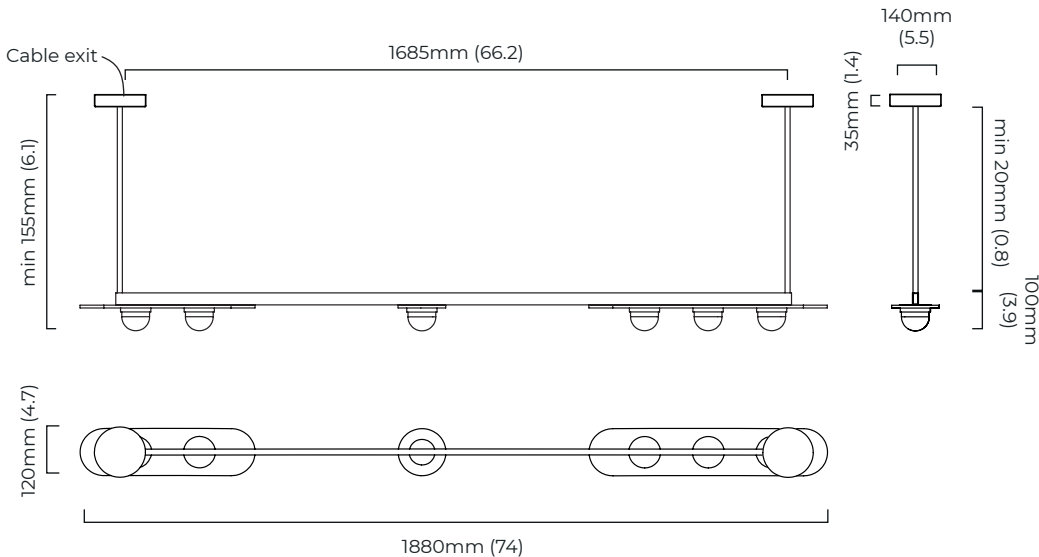
DIMMING

DALI compatible

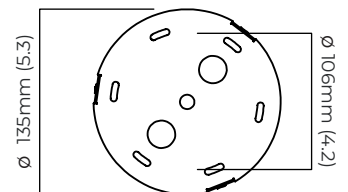
CEILING ROSE / PLATE

round ceiling rose - \varnothing 140 x 35 mm (dia x h)

CERTIFICATION



mounting plate dimensions



*Diagrams are not to scale.

SKU NUMBER	FINISH DESCRIPTION	TYPE OF DALI	VOLTAGE
MODPEHLBZSKMO-DALIB-240	bronze with smoked kiln cast glass and opal glass shades	DALI B included - The light will feature a deeper ceiling/wall rose. For use when there is no space in the existing ceiling/wall cavity	220 - 240V
MODPEHLSBSKMO-DALIB-240	satin brass with smoked kiln cast glass and opal glass shades	DALI B included - The light will feature a deeper ceiling/wall rose. For use when there is no space in the existing ceiling/wall cavity	220 - 240V