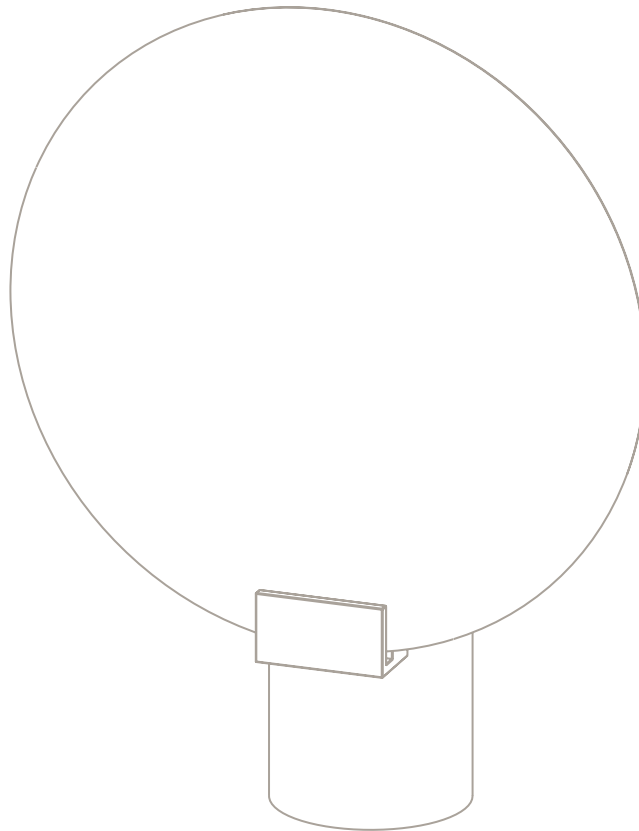


NIMBUS WALL

Installation Guide



!

Please handle with care and wear gloves at all times during assembly and installation to avoid damaging components.

TECHNICAL

Bulb Holder
240v - 1 x G9
120v - 1 x G9
(bulbs not supplied)

Wattage
2.3w 2700k - LED ONLY

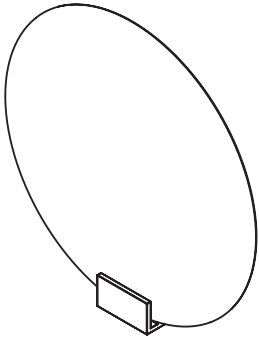
Weight
3kg (6.6lbs)

PARTS & COMPONENTS

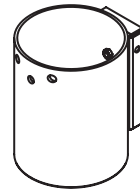
- A. Nimbus glass disk, glass mounting Bracket, 1 x M5 machine screw
- B. Base, wall mounting bracket, 2 x M4 machine screws

Additional Parts for US installation only:
C. Covering plate
D. US Adapter plate

A.



B.



C.



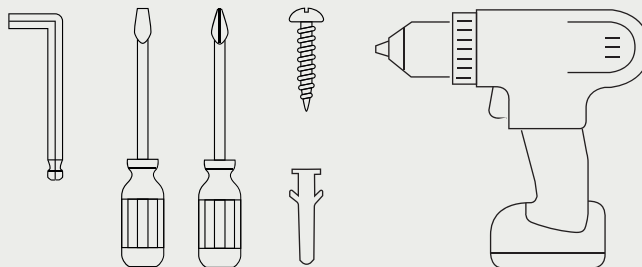
D.



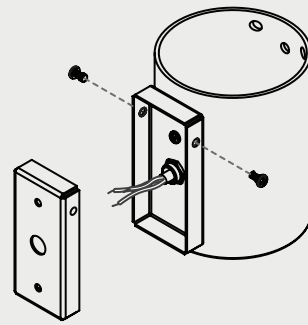


BEFORE INSTALLATION

- Check that you have all components before starting the installation.
 - Installation must be carried out by a qualified electrician.
 - A minimum of two people is required to install a pendant light.
- Check that the ceiling or wall fixings are suitable and strong enough to support the weight of the light fixture.
 - You will need the below specific tools for a successful installation.

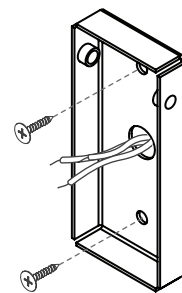


1. Remove the wall bracket from the fitting by removing the two screws located on either side.



2. 240V

Securely fix the mounting plate to the wall using 2 x screws suitable for the surface you are mounting to (not supplied), ensuring that the mains cable is centred with the hole in the middle of the plate

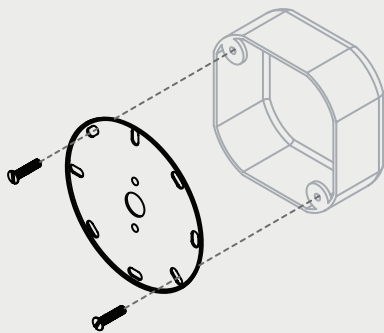


2. 110V

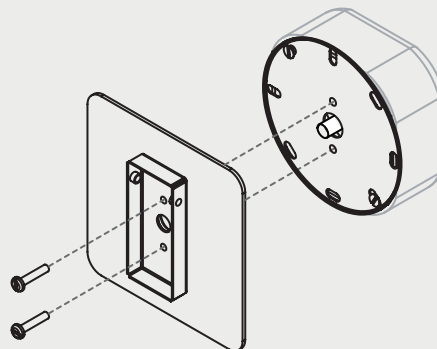
US US adapter plate to junction box ensuring that the three central holes are vertically positioned (1).

Attach the mounting plate and covering plate to the Adapter plate using the 2 screws provided (2) to securely attach the wall plate to the junction box (3).

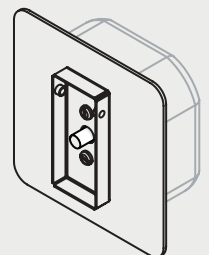
1.



2.

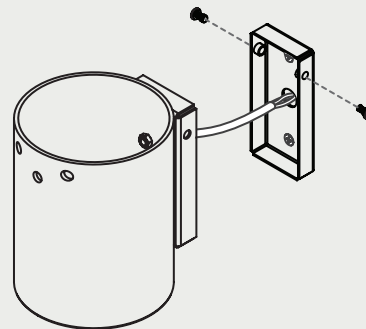


3.



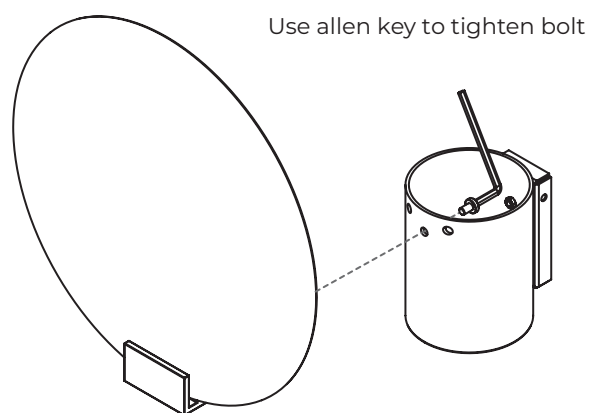
3. Raise the body towards the mounted plate and make the electrical connection ensuring all wires are colour matched and the wall light is earthed correctly.

Place the base over the mounted plate and secure with the two screws located on either side of the fitting.



4. Attach the glass mounting bracket to the body with the provided M5 bolt using an allen key.

Ensure that the bolt is tightly secured and the mounting bracket is sitting flush with the body.



MAINTENANCE

Cleaning

Dust using a dry lint-free cloth weekly or as required

Repairs

Contact
CTO Lighting

Warranty

Please visit
[www.ctolighting.co.uk/
pages/f-a-q](http://www.ctolighting.co.uk/pages/f-a-q)
for CTO warranty policy

Certification

