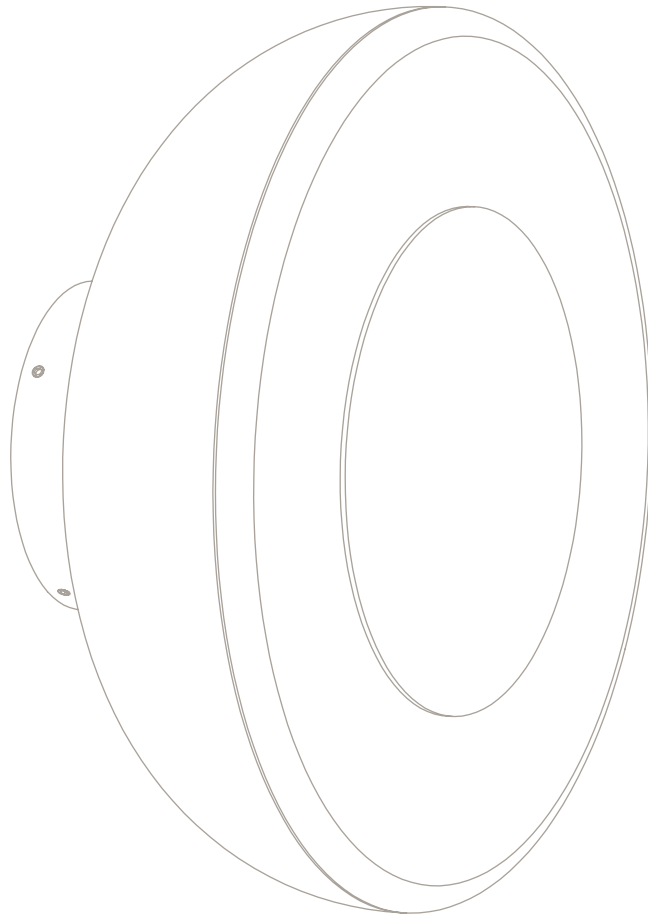


## PENDULUM WALL

Installation Guide



!

Please handle with care and wear gloves at all times during assembly and installation to avoid damaging components.

## TECHNICAL

**Bulb Holder**  
intergrated LED - dimmable

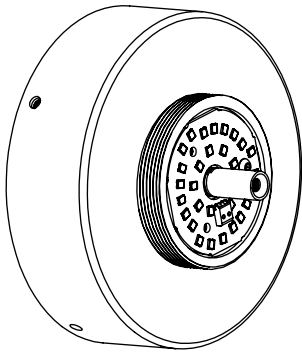
**Wattage**  
8w - 2700k

**Weight**  
5kg (11lbs)

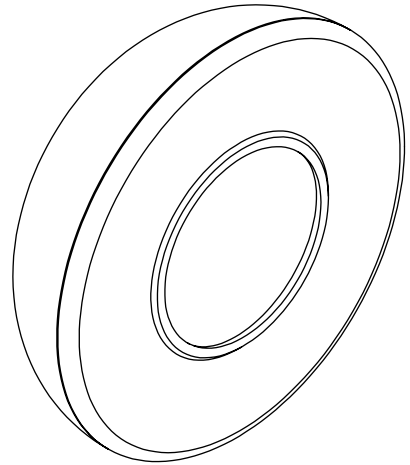
## PARTS & COMPONENTS

- A. 1 x Wall mount
- B. 1 x Glass shade
- C. 1 x Glass mount ring
- D. Diffuser
- E. Transformer

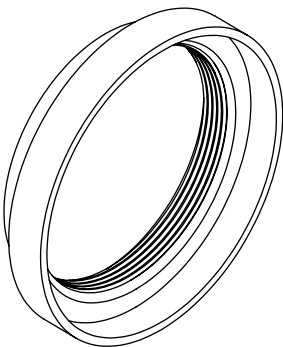
A.



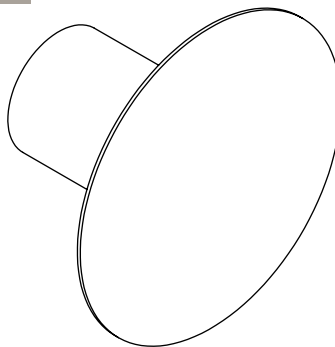
B.



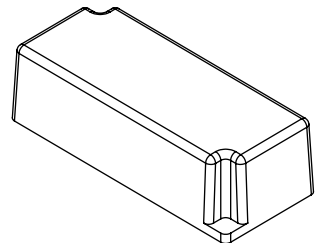
C.



D.



E.

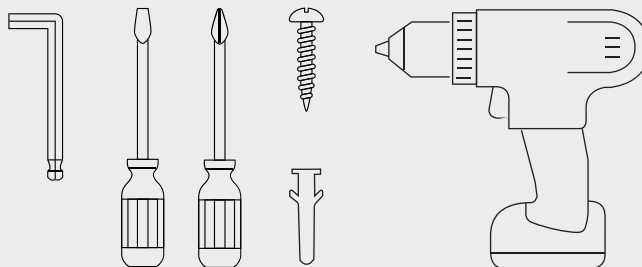


- All nuts and bolts required for the installation will be included in the delivery.



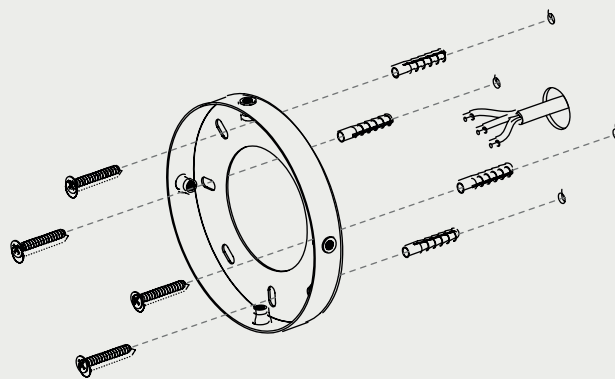
## BEFORE INSTALLATION

- Check that you have all components before starting the installation.
  - Installation must be carried out by a qualified electrician.
  - A minimum of two people is required to install a pendant light.
- Check that the ceiling or wall fixings are suitable and strong enough to support the weight of the light fixture.
  - You will need the below specific tools for a successful installation.

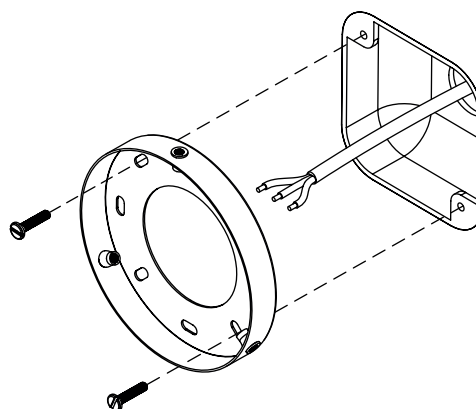
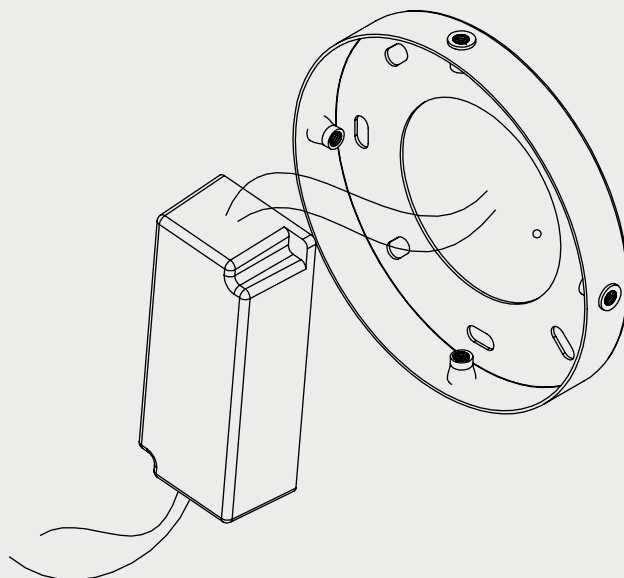


**1.** 240V

Remove the mounting plate from the wall mount (A) and securely fix to the wall in the correct position using fixings suitable for the surface you are mounting to (not supplied).

**1.** 110V  
**US**

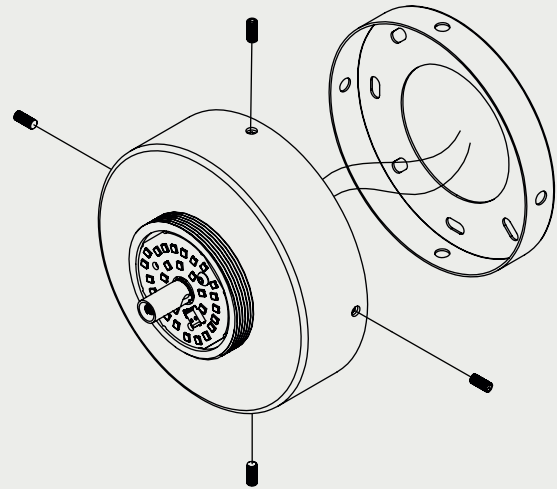
Fix the mounting plate to the junction box using suitable screws (not supplied).

**2.** Connect the mains cable onto the transformer. Make sure all the wires are colour matched and the fixture is earthed correctly.

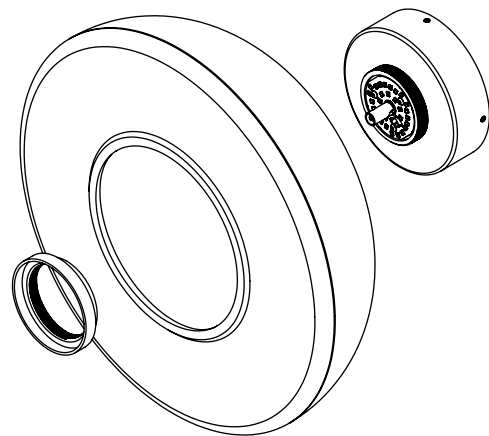
**3.** Attach the wall mount onto the wall plate.

Ensure that all the cables and transformer are safely stored within the wall mount.

NOTE: The 4x grub screws should not be screwed within the wall mount. They must be flush or slightly protruding.

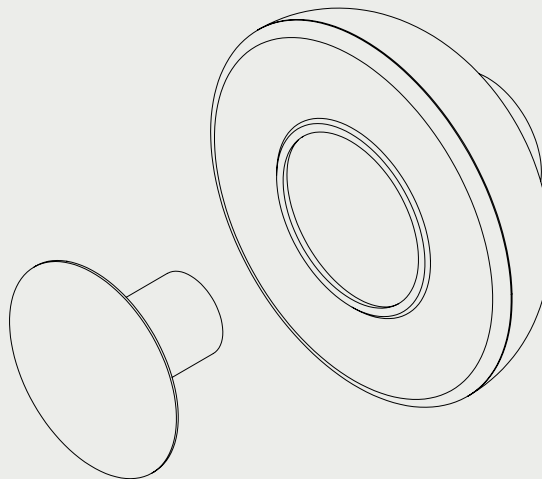


**4.** Place the Glass shade (B) onto the wall mount (A) and fix into position by threading on the Glass mount ring (C).



5. Thread the diffuser into the wall mount (A).

The diffuser (D) should be screwed tight to the glass shade (B) so it is held tight and unable to move.



## MAINTENANCE

### Cleaning

Dust using a dry lint-free cloth weekly or as required

### Repairs

Contact  
CTO Lighting

### Warranty

Please visit  
[www.ctolighting.co.uk/  
pages/f-a-q](http://www.ctolighting.co.uk/pages/f-a-q)  
for CTO warranty policy

### Certification

