

RING WALL

FINISH

bronze
satin brass
satin nickel

DIMENSIONS (body of fixture)

120 x 130 x 300 mm (w x d x h)

WEIGHT

4kg (8.8lbs)

ILLUMINATION

220-240v - 2 x G9 - 25w max halogen (or 2.3w LED 2700k)
110-130v - 2 x G9 - 25w max halogen (or 2.3w LED 2700k)

DIMMING

dimnable bulb required
DALI option available (220-240v only)

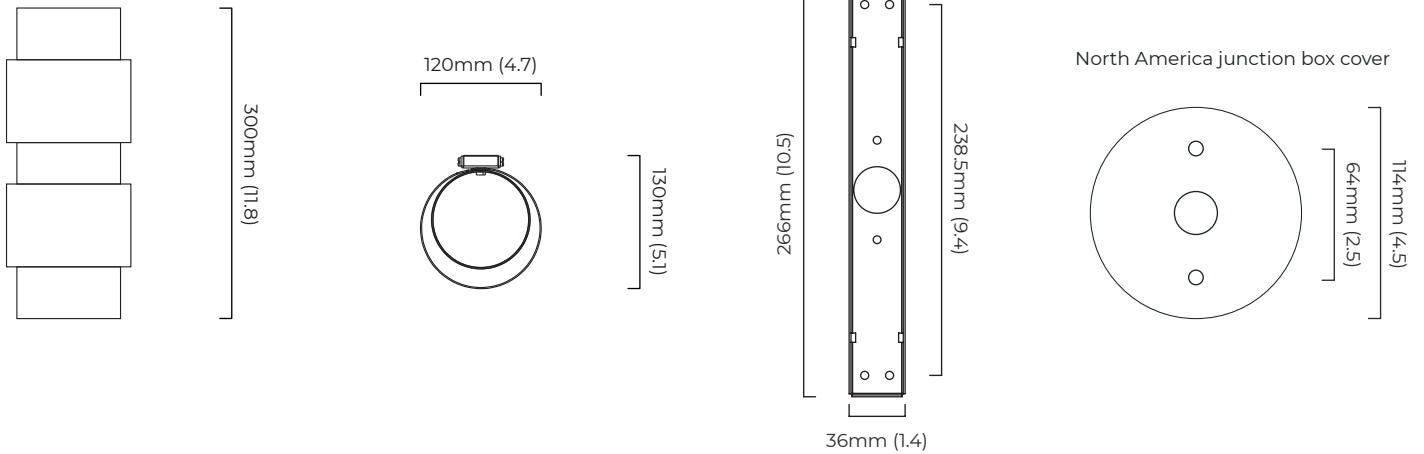
WALL ROSE / PLATE

rectangular wall box - 40 x 15 x 270 mm (w x d x h)

CERTIFICATION



mounting plate dimensions



*Diagrams are not to scale.

SKU NUMBER	FINISH DESCRIPTION	VOLTAGE
RINWAOBZ-240	bronze	220 - 240V
RINWAOSB-240	satin brass	220 - 240V
RINWAOSN-240	satin nickel	220 - 240V
RINWAOBZ-110	bronze	110 - 130V
RINWAOSB-110	satin brass	110 - 130V
RINWAOSN-110	satin nickel	110 - 130V

RING WALL - DALI-A

FINISH

bronze
satin brass
satin nickel

DIMENSIONS (body of fixture)

120 x 130 x 300 mm (w x d x h)

WEIGHT

4kg (8.8lbs)

ILLUMINATION

220-240v - 2 x G9 - 25w max halogen (or 2.3w LED 2700k)
DALI converter to be installed in the cavity
converter can be placed up to 2m away from the light fixture

DIMMING

DALI compatible

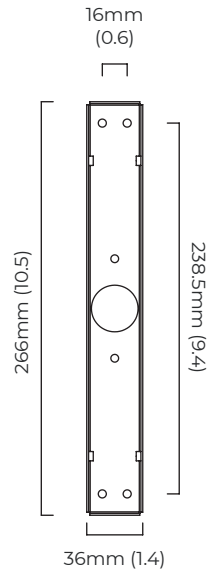
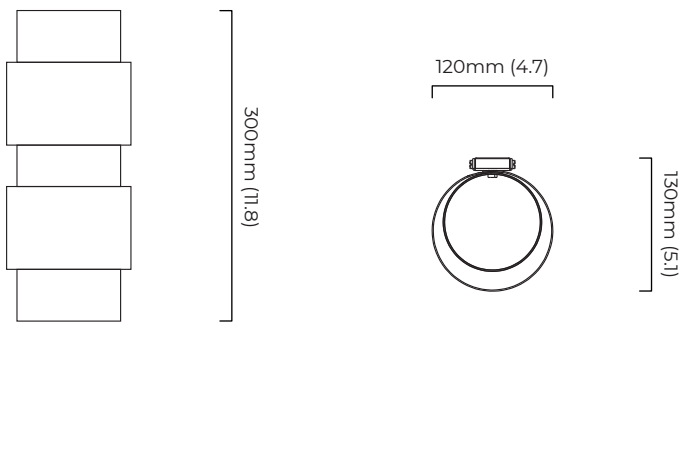
WALL ROSE / PLATE

rectangular wall box - 40 x 15 x 270 mm (w x d x h)

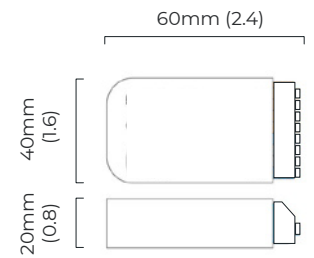
CERTIFICATION



mounting plate dimensions



DALI converter dimensions



*Diagrams are not to scale.

SKU NUMBER	FINISH DESCRIPTION	TYPE OF DALI	VOLTAGE
RINWAOBZ-DALIA-240	bronze	DALI A included - For lights that do not require aesthetic alterations. Dalí can be fitted inside the ceiling/wall cavity	220 - 240V
RINWAOBS-DALIA-240	satin brass	DALI A included - For lights that do not require aesthetic alterations. Dalí can be fitted inside the ceiling/wall cavity	220 - 240V
RINWAOSEN-DALIA-240	satin nickel	DALI A included - For lights that do not require aesthetic alterations. Dalí can be fitted inside the ceiling/wall cavity	220 - 240V