

SASHA PENDANT

FINISH

bronze with handmade fritted glass
satin brass with handmade fritted glass

DIMENSIONS (body of fixture)

ø 600 x 350 mm (dia x h)

WEIGHT

15kg (33.1lbs)
please ensure ceiling structure is strong enough to support the weight of the light

OVERALL DROP

minimum 425 mm
maximum on request 6375 mm
supplied with 1000 mm drop rod

ILLUMINATION

220-240v - 3 x E14 - 60w max (or 6.5w LED 2700k)
110-130v - 3 x E12 - 60w max (or 6.5w LED 2700k)

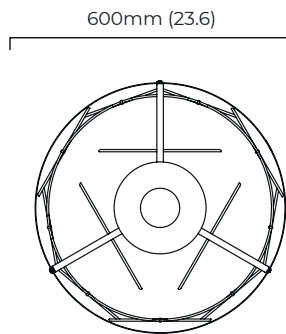
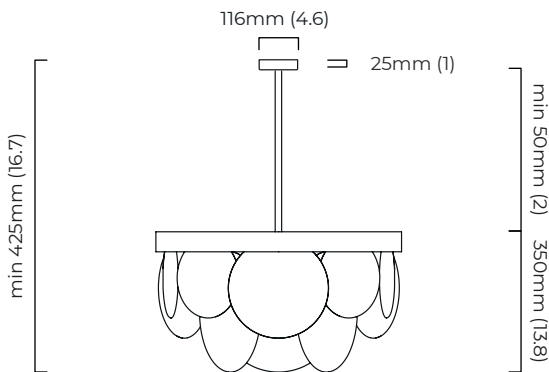
DIMMING

dimmable bulb required
DALI option available (220-240v only)

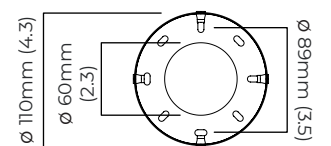
CEILING ROSE / PLATE

round ceiling rose - ø 116 x 25 mm (dia x h)

CERTIFICATION



mounting plate dimensions



*Diagrams are not to scale.

SKU NUMBER	FINISH DESCRIPTION	VOLTAGE
SASPEOBZFG-240	bronze with handmade fritted glass	220 - 240V
SASPEOSBFG-240	satin brass with handmade fritted glass	220 - 240V
SASPEOBZFG-110	bronze with handmade fritted glass	110 - 130V
SASPEOSBFG-110	satin brass with handmade fritted glass	110 - 130V

SASHA PENDANT - DALI-A

FINISH

bronze with handmade fritted glass
satin brass with handmade fritted glass

DIMENSIONS (body of fixture)

ø 600 x 350 mm (dia x h)

WEIGHT

15kg (33.1lbs)

please ensure ceiling structure is strong enough to support the weight of the light

OVERALL DROP

minimum 425 mm

maximum on request 6375 mm

supplied with 1000 mm drop rod

ILLUMINATION

220-240v - 3 x E14 - 60w max (or 6.5w LED 2700K)

DALI converter to be installed in the ceiling rose

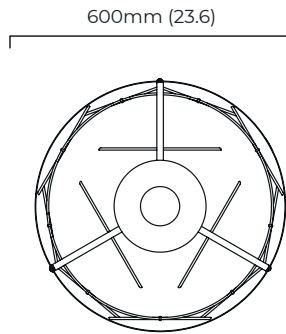
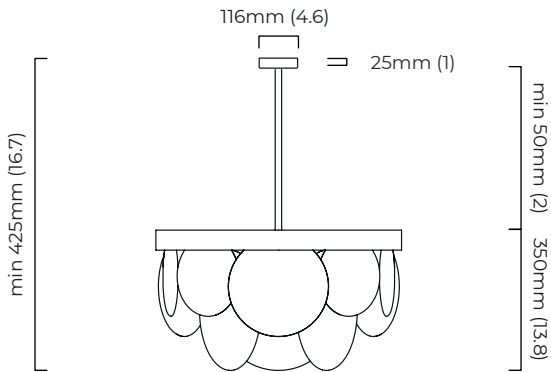
DIMMING

DALI compatible

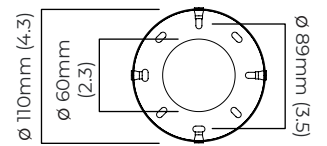
CEILING ROSE / PLATE

round ceiling rose - ø 116 x 25 mm (dia x h)

CERTIFICATION



mounting plate dimensions



*Diagrams are not to scale.

SKU NUMBER	FINISH DESCRIPTION	TYPE OF DALI	VOLTAGE
SASPEOBZFG-DALIA-240	bronze with handmade fritted glass	DALI A included - For lights that do not require aesthetic alterations. Dali can be fitted on existent ceiling/wall rose	220 - 240V
SASPEOSBFG-DALIA-240	satin brass with handmade fritted glass	DALI A included - For lights that do not require aesthetic alterations. Dali can be fitted on existent ceiling/wall rose	220 - 240V