

## ARRAY PENDANT MINI

### FINISH

bronze with satin brass details and opal glass shades

### DIMENSIONS (body of fixture)

750 x 750 x 425 mm (w x d x h)

### WEIGHT

7kg (15.4lbs)

please ensure ceiling structure is strong enough to support the weight of the light

### OVERALL DROP

minimum 425 mm

maximum on request 6450 mm

please specify the required overall drop from the ceiling to the bottom of the fitting

### ILLUMINATION

220-240v - 3 x G9 - 25w (or 2.5w 2700k)

110-130v - 3 x G9 - 25w (or 2.5w 2700k)

### DIMMING

dimmable bulb required

DALI option available (220-240v only)

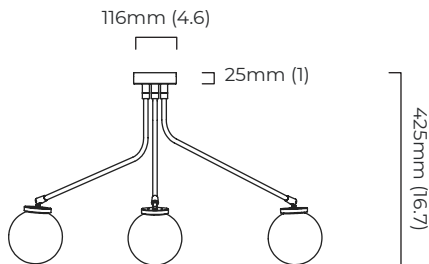
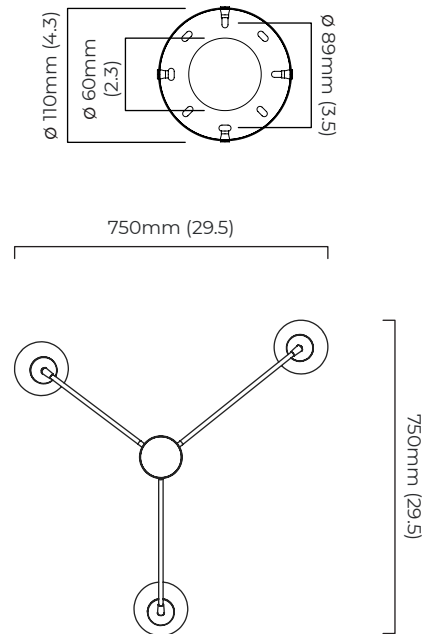
### CEILING ROSE / PLATE

round ceiling rose -  $\varnothing$  116 x 25 mm (dia x h)

### CERTIFICATION



mounting plate dimensions



\*Diagrams are not to scale.

SKU NUMBER	FINISH DESCRIPTION	VOLTAGE
ARRPESBZOG-240	bronze with satin brass details and opal glass shades	220 - 240V
ARRPESBZOG-110	bronze with satin brass details and opal glass shades	110 - 130v

## ARRAY PENDANT MINI - DALI-A

### FINISH

bronze with satin brass details and opal glass shades

### DIMENSIONS (body of fixture)

750 x 750 x 425 mm (w x d x h)

### WEIGHT

7kg (15.4lbs)

please ensure ceiling structure is strong enough to support the weight of the light

### OVERALL DROP

minimum 425 mm

maximum on request 6450 mm

please specify the required overall drop from the ceiling to the bottom of the fitting

### ILLUMINATION

220-240v - 3 x G9 - 25w (or 2.5w 2700k)

DALI converter to be installed in the ceiling rose

### DIMMING

DALI compatible

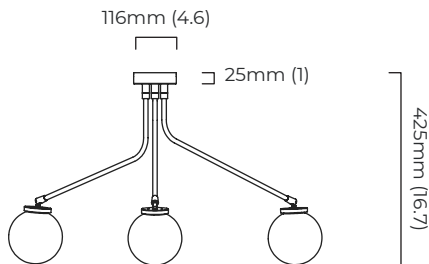
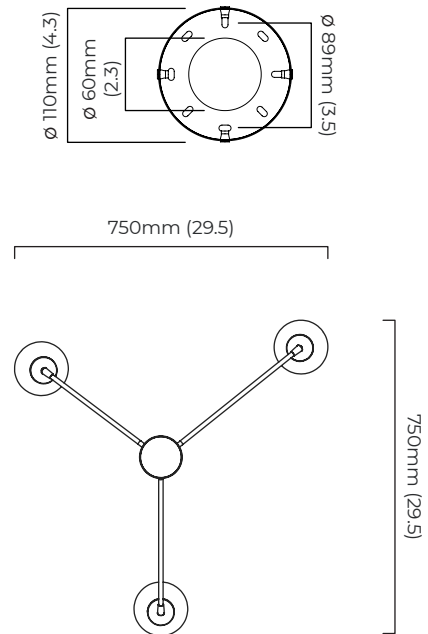
### CEILING ROSE / PLATE

round ceiling rose -  $\varnothing$  116 x 25 mm (dia x h)

### CERTIFICATION



mounting plate dimensions



\*Diagrams are not to scale.

SKU NUMBER	FINISH DESCRIPTION	TYPE OF DALI	VOLTAGE
ARRPESBZOG-DALIA-240	bronze with satin brass details and opal glass shades	DALI A included - For lights that do not require aesthetic alterations. Dali can be fitted on the existent ceiling/wall rose	220 - 240V

## ARRAY PENDANT MINI - EXTENSION KIT

### FINISH

bronze with satin brass details

### DIMENSIONS (length of the extension)

1000 mm

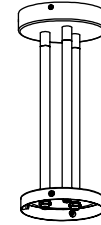
### OVERALL DROP

standard size 1000 mm  
 minimum recommended 300 mm  
 maximum on request 4000 mm  
 please specify total drop upon request

### CERTIFICATION



150mm (5.9)



1000mm (39.3)

\*Diagrams are not to scale.

SKU NUMBER	FINISH DESCRIPTION	VOLTAGE
ACCGENXOSBZ	bronze with satin brass details	220 - 240V