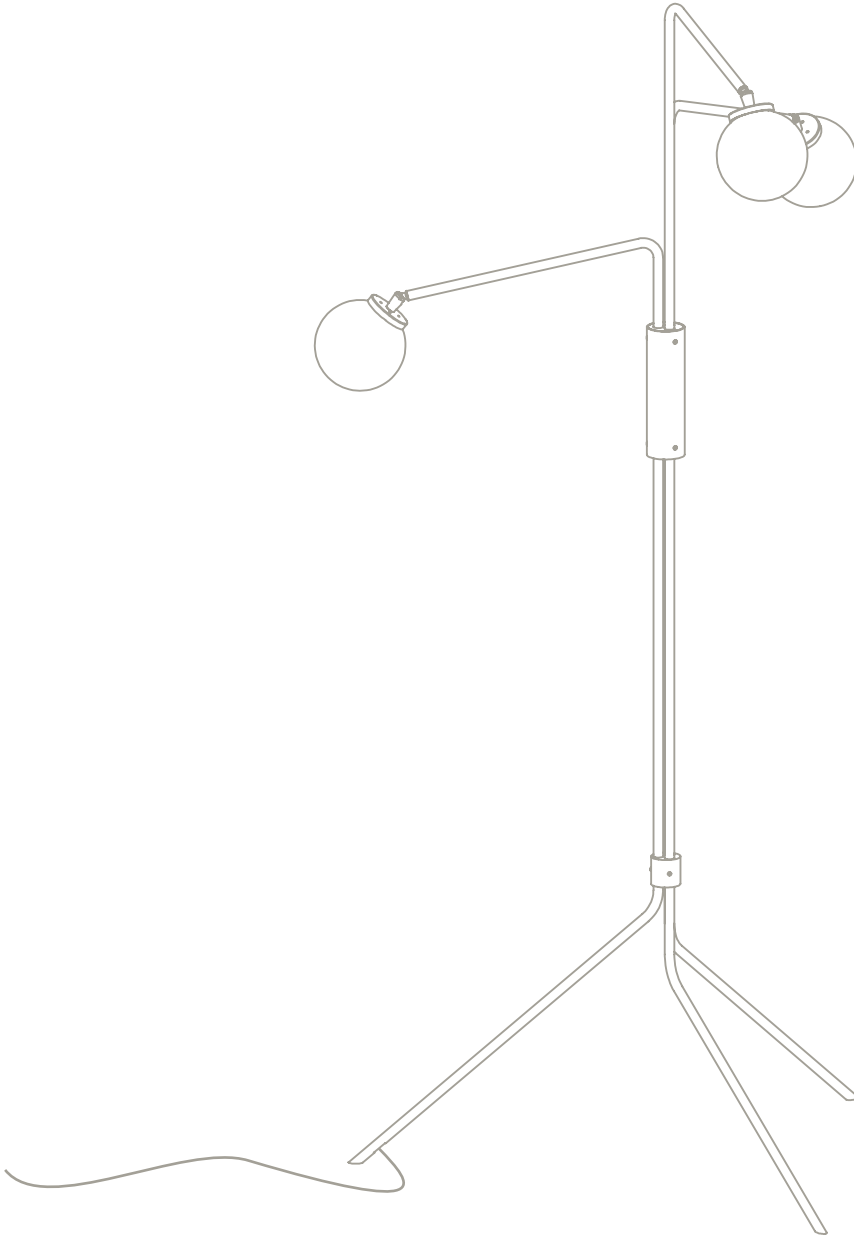


ARRAY OPAL FLOOR

Installation Guide



!

Please handle with care and wear gloves at all times during assembly and installation to avoid damaging components.

TECHNICAL

Bulb Holder
240v - 3 x G9
120v - 3 x G9
(bulbs not supplied)

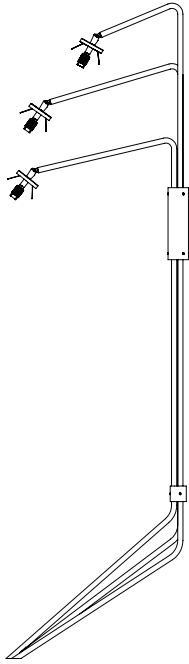
Wattage
25w max halogen
(or 2.3w LED 2700k)

Weight
10kg (22lbs)

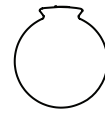
PARTS & COMPONENTS

- A. 1 x Array floor base
- B. 3 x Opal glass shades

A.



B.

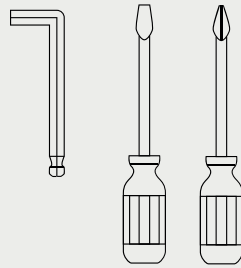


- All nuts and bolts required for the installation will be included in the delivery.



BEFORE INSTALLATION

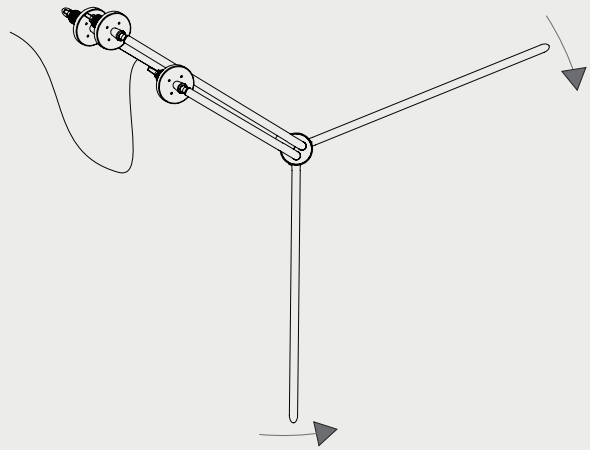
- Check that you have all components before starting assembly.
- Assembly must be carried out by a qualified electrician.
- You will need these specific tools for a successful assemble.



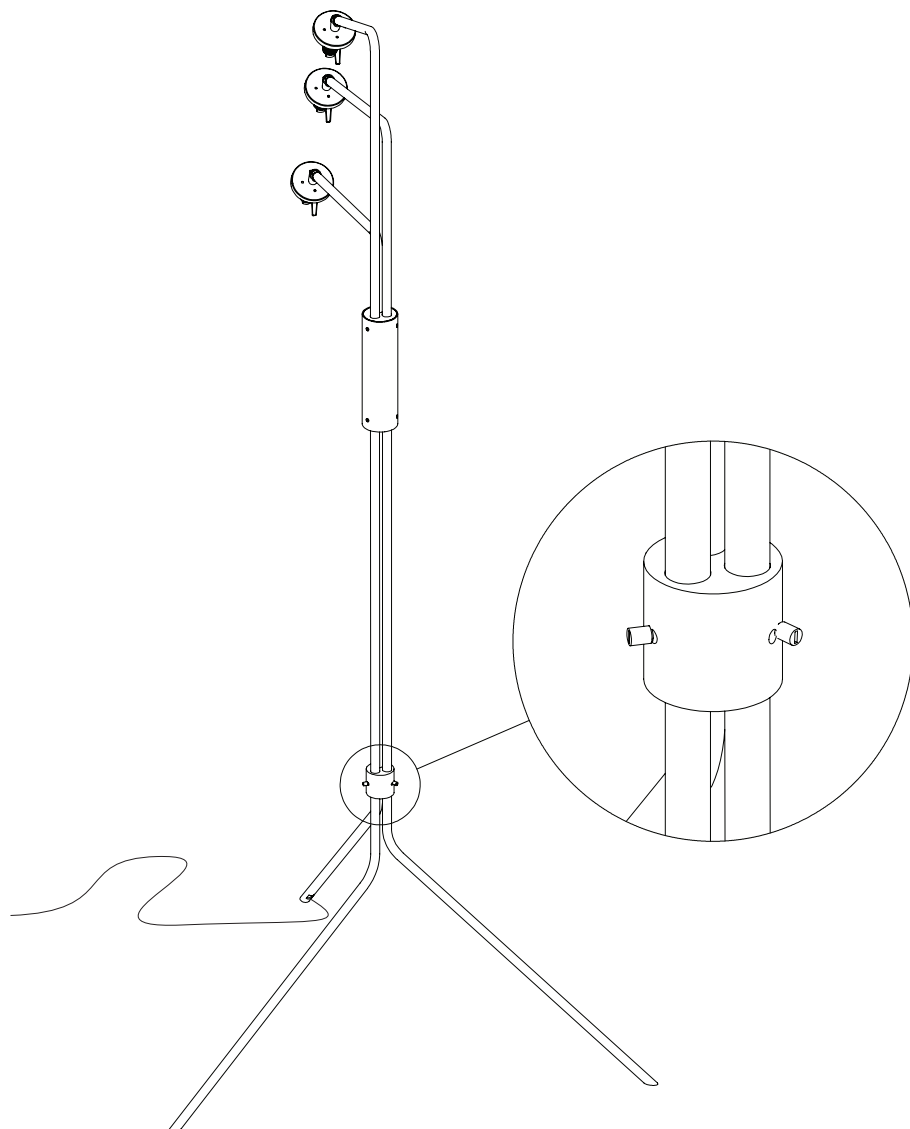
1. Remove the Array floor body from the polystyrene inserts.

Arrange the legs out so that the distance between them is equal.

Note: One of the legs (with cable exit) is fixed

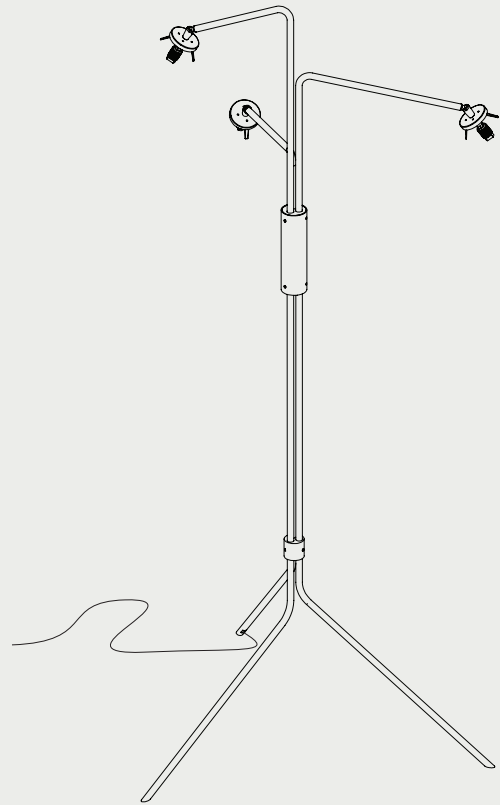
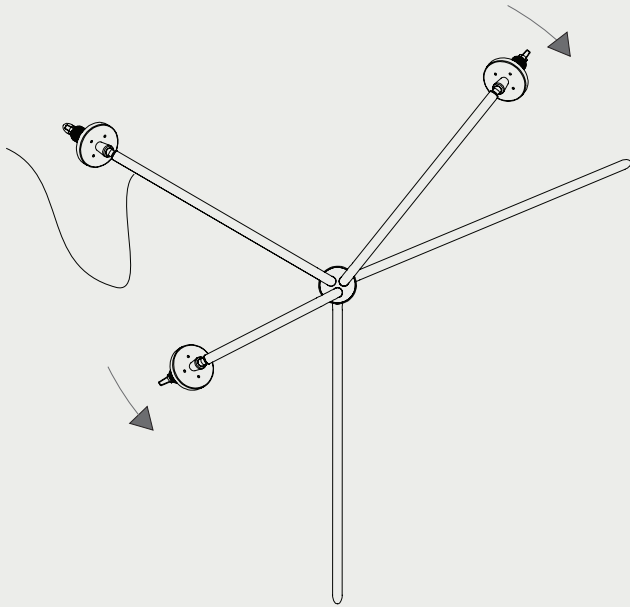


2. Tighten the two grub screws located on the lower hub to lock the two loose legs into position.



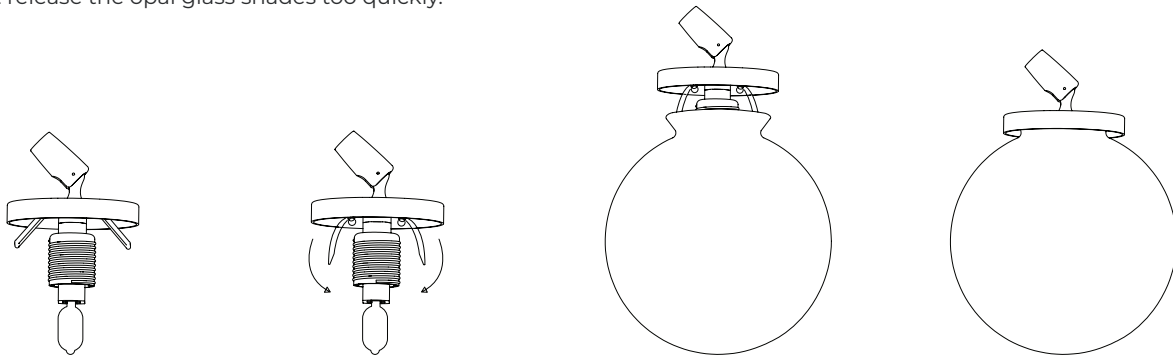
3. Spread the arms out so that the distance between them is equal and they match the position of the legs.

Note: One of the arms is fixed.



4. Fit the bulb to the lampholder (not supplied).

Pinch the spring clips inwards and hold, slowly feeding the opal glass shade over the spring clips. Do not release the opal glass shades too quickly.



MAINTENANCE

Cleaning

Dust using a dry lint-free cloth weekly or as required

Repairs

Contact
CTO Lighting

Warranty

Please visit
[www.ctolighting.co.uk/
pages/f-a-q](http://www.ctolighting.co.uk/pages/f-a-q)
for CTO warranty policy

Certification



E492309