

WHISTLER WALL

Installation Guide



!

Please handle with care and wear gloves at all times during assembly and installation to avoid damaging components.

TECHNICAL

Bulb Holder
240v - 1 x G9
120v - 1 x G9
(bulbs not supplied)

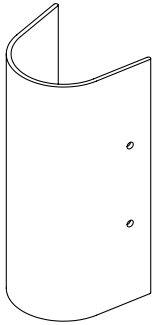
Wattage
25w max halogen

Weight
2kg (4.4lbs)

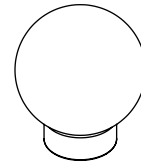
PARTS & COMPONENTS

- A. 1 x Whistler glass
- B. 1 x Bulb cover
- C. 1 x backplate, 1 x loose white rubber washer fitted around lampholder
- D. 4 x thumbturn screws

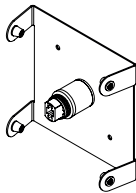
A.



B.



C.



D.

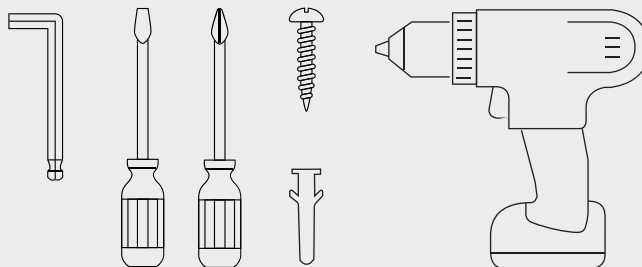


- All nuts and bolts required for the installation will be included in the delivery.



BEFORE INSTALLATION

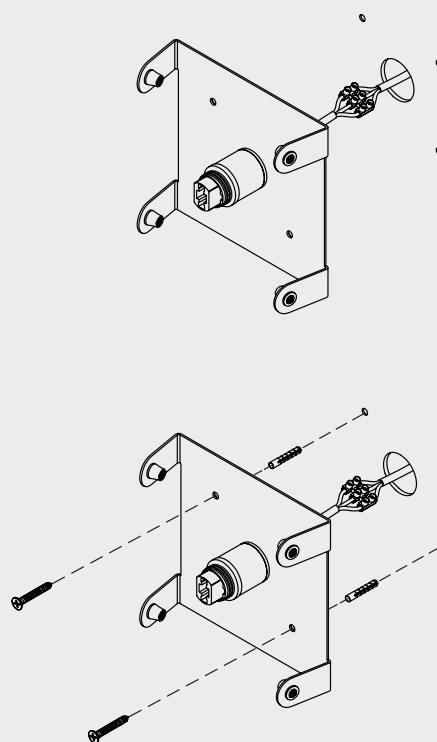
- Check that you have all components before starting the installation.
 - Installation must be carried out by a qualified electrician.
 - A minimum of two people is required to install a pendant light.
- Check that the ceiling or wall fixings are suitable and strong enough to support the weight of the light fixture.
 - You will need the below specific tools for a successful installation.



1. Make the electrical connection between the wall and the backplate.

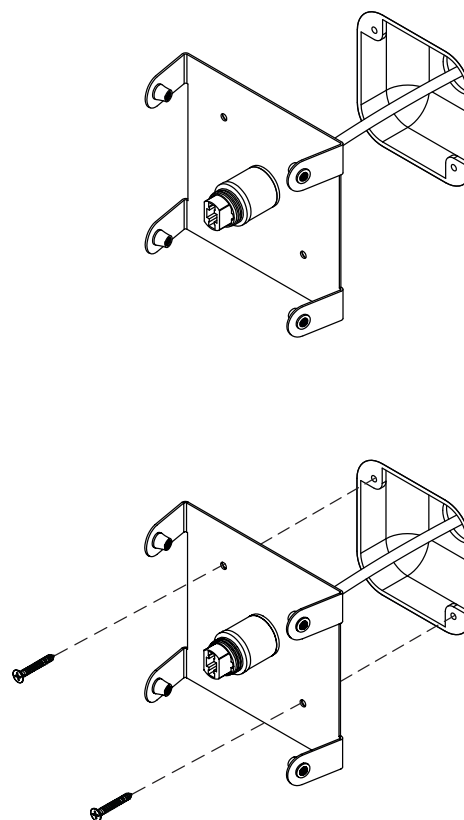
Before mounting the fitting, ensure that the surface being mounted to is flat and smooth to create a secure seal around the back plate.

Fit the backplate to the wall using screws suitable for the surface you are mounting to tightly, creating a secure seal.



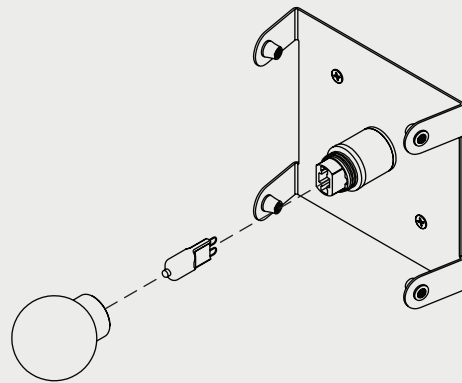
1. **US** Make the electrical connection inside the junction box.

Fit the backplate to the junction box, we do not supply these screws.



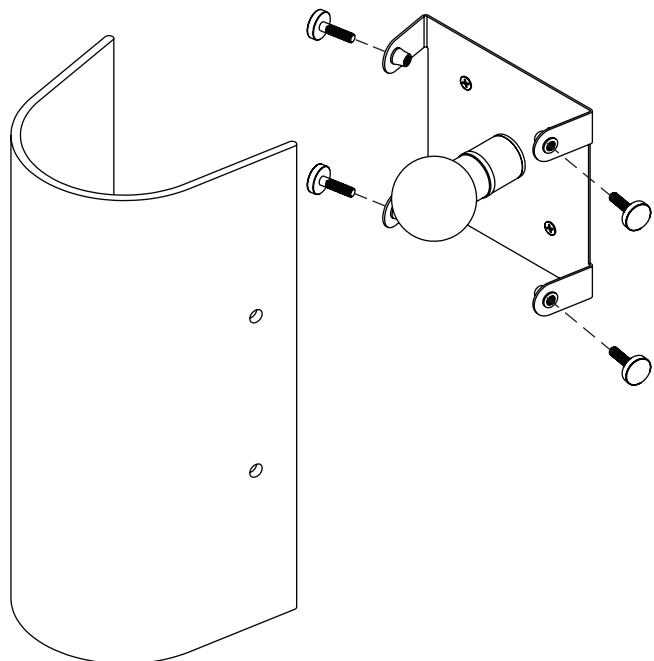
2. Fit the bulb to the lampholder followed by the glass bulb cover.

Ensure that the white rubber washer around the lampholder is sitting flat and the glass cover is fully tightened creating a secure seal around the lampholder.



3. Raise the Whistler glass to the fitting and secure with the 4 x thumbturn screws.

Do not overtighten the screws as this may crack the glass.



MAINTENANCE

Cleaning

Dust using a dry lint-free cloth weekly or as required

Repairs

Contact
CTO Lighting

Warranty

Please visit
[www.ctolighting.co.uk/
pages/f-a-q](http://www.ctolighting.co.uk/pages/f-a-q)
for CTO warranty policy

Certification



IP44 240V only