





Crosshatch C

By
Brad Ascalon

Decorative
lighting

LED	Vossloh
CCT	2700K
Color Consistency	-
CRI (Ra)	≥ 90%
Driver	Included
Dimming	Phase-cut
Bluetooth Control	Casambi 
Input Voltage	120V
Power	18W
Reflector Material	Aluminium
Diffuser Material	Opal Glass
Material	Aluminium
Finishes	Black (matte) 
Approvals	CE, EAC
Lifetime	50.000h (optimum work conditions)
Warranty	See product warranty details
IES Files	Available on the website
LDT Files	Available on the website
Modifications	Customization is possible
Mounting	Tool-friendly, click-lock system, tamper resistant. Aircraft cable suspension standard length 250 cm
Maintenance	Replacement LEDs and drivers available







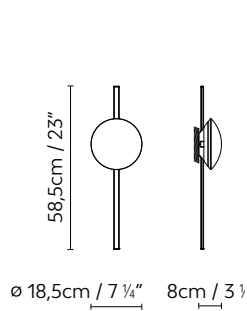




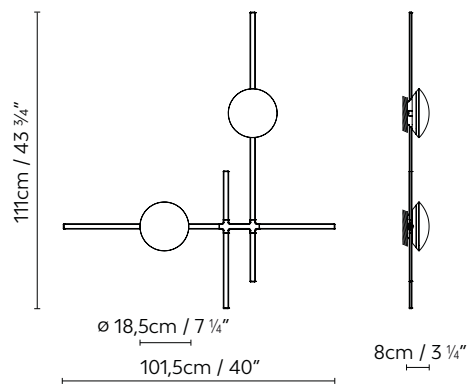

Description

Crosshatch C is a ceiling light comprised of a metal grid structure available in three formats (S, M and L) and a light source made of blown glass. Its internal wiring means the three sizes can be combined with one another to create multiple compositions using a single connection. The lightness of its structure enables the creation of large volumes without overloading the space.

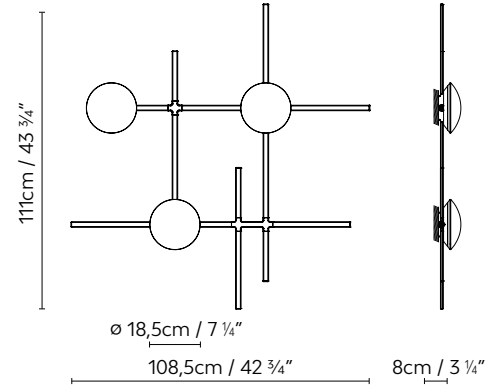
CROSSHATCH C - S



CROSSHATCH C - M



CROSSHATCH C - L



CODE	LAMP	
767100U	CROSSHATCH C - S	LED 18W 1800lm 2700K CRI≥90 120V DIM PHASE CUT
767110U	CROSSHATCH C - M	2 x LED 18W 3600lm 2700K CRI≥90 120V DIM PHASE CUT
767120U	CROSSHATCH C - L	3 x LED 18W 5400lm 2700K CRI≥90 120V DIM PHASE CUT

INSTALLATION EXAMPLE: M + L

CROSSHATCH C/W L CROSSHATCH C/W M

