






Kanpazar 80A

By
Jon Santacoloma

Outdoor
Lighting

Floor lamps

Technical Description

Degree of Protection		Regulation	1-10V
Class		Light type	2G11/LED
Regulable	--	Light source included	No/Yes
Casambi		Energy classification	-

Certifications



Packaging

Net Weight per Item	2.00 Kg
Box Sizes	90 x 33 x 35 cm - 0,103 m ³
Gross Weight	8.75 Kg

Description

Indoor and outdoor lamps, in a smooth opal white finish, made from vandal Proof. UV resistant polyethylene. Available in two sizes: 150 cm and 80 cm, and different versions. Kanpazar A is fixed to the ground and hard wired, while Kanpazar B is portable and has a maximum wiring connection of 3.5 metres. Kanpazar C, which has a concrete base, is portable and has a maximum wiring connection of 3,5 metres. Kanpazar 150 is also available in an additional version D made from a stainless steel base that is secured to the ground with the connection provided.

Finishes

SHADE

Collection



Kanpazar

Codes

Luminaire

Light Source

659270U

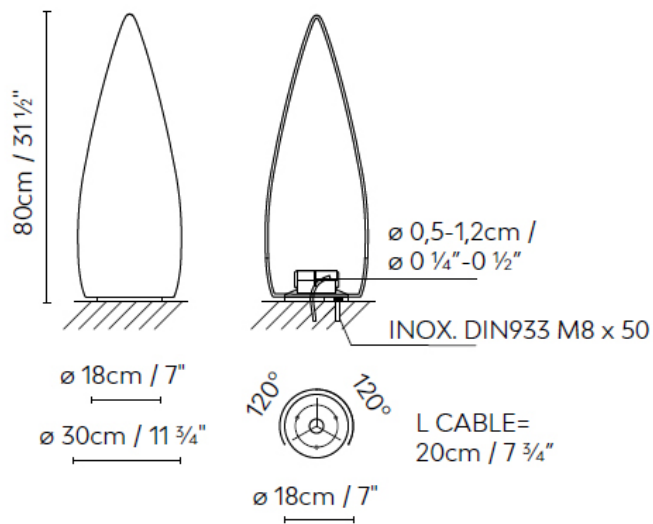
KANPAZAR 80A LED USA

LED 4 x 6W 4152lm 350mA 3000K CRI>=90 120V

DOWNLOADS



Kanpazar_Assembly_USA.pdf



L CABLE= 20cm / 7 3/4"
CABLE LENGHT= 20cm / 7 3/4"
KABELLÄNGE= 20cm / 7 3/4"