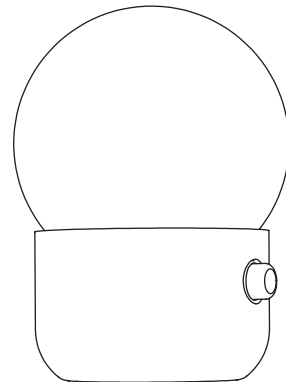


Kup Camp

e27, Tim Brauns



WARNINGS

- Before using the lamp, read the instructions carefully.
- Charge the lamp completely (100%) before you use it for the first time.
- Indoor lamp. Designed to be used in dry places only.
- Lamp designed to be used in places with 0°-45°C room temperature. The battery capacity may decrease at higher or lower temperatures.
- Do not leave the lamp exposed to direct sunlight.
- For a longer useful life of the battery, charge it regularly.
- If the battery needs replacing, contact B.lux.
- The light source of this lamp should only be replaced by the manufacturer, its technical service or a similarly qualified person, in order to prevent risks.
- If the lamp cable is damaged, it should only be replaced by the manufacturer or its technical service.
- To clean the lamp, use a soft cloth dampened with water and, if necessary, neutral soap. Do not use alcohol or other solvents.

Kup Camp

e27, Tim Brauns

Charging time 8h / Duration 6h

IP20 Clase II

TECHNICAL SPECIFICATIONS

LED 1,3W 150lm 3,7V 2700K CRI90

Portable and rechargeable lamp.

Light dimmed by touch, from 0-100%.

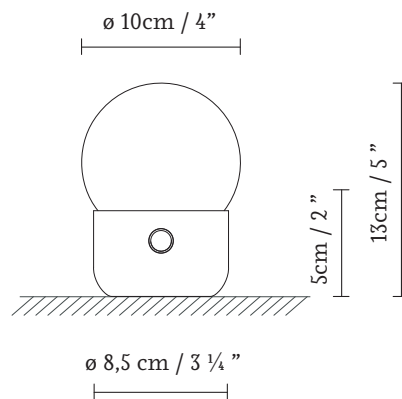
Lasts 6 hours with the brightest light.

The charging time for a completely depleted battery is 8 hours.

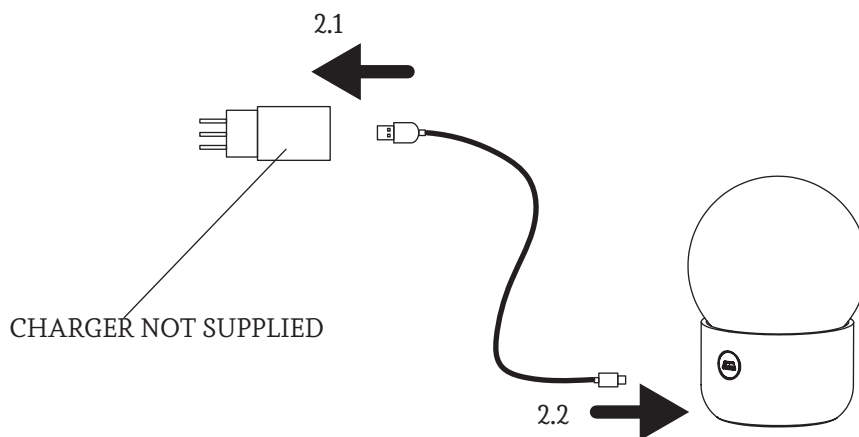
Adapter included. Nominal input voltage 100-240V 50-60Hz.

Important: nominal output voltage of the charger 5V - 2A.

1.

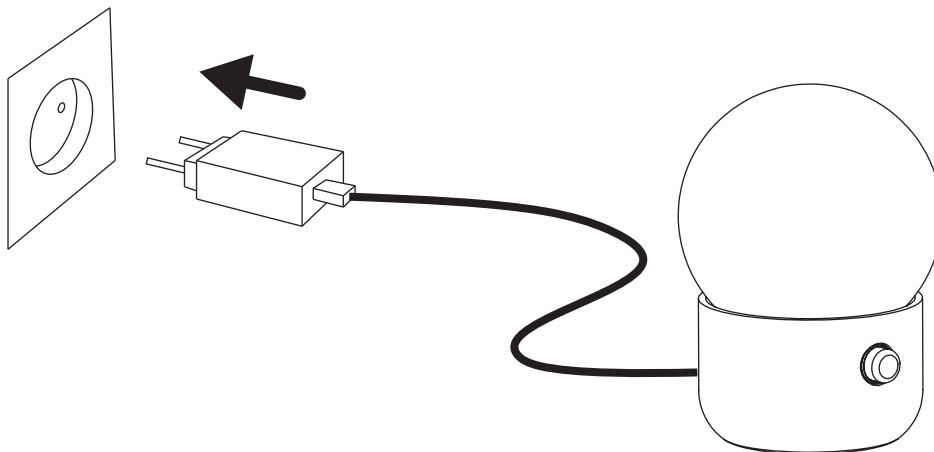


2.

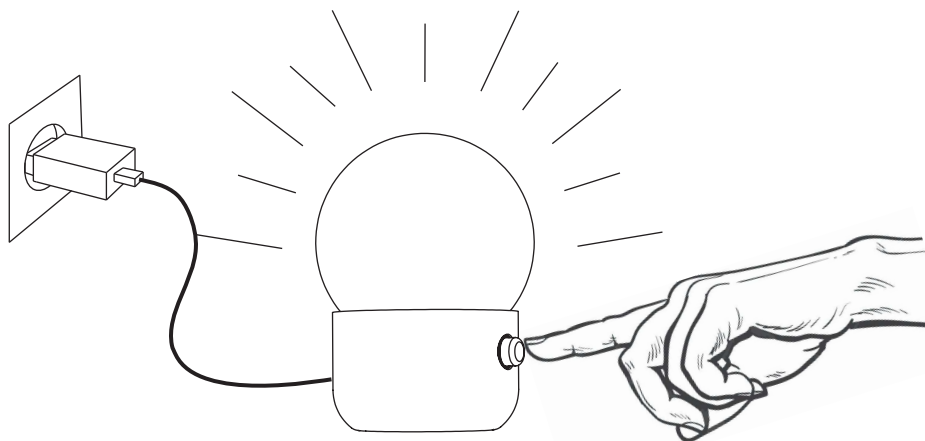


1. General size of the lamp.
2. Charger with 5V 2A supply.
 - 2.1 Plug the jack into the adapter.
 - 2.2 Plug the USB-C connector of the cable into the USB port on the lamp.

3.



4.



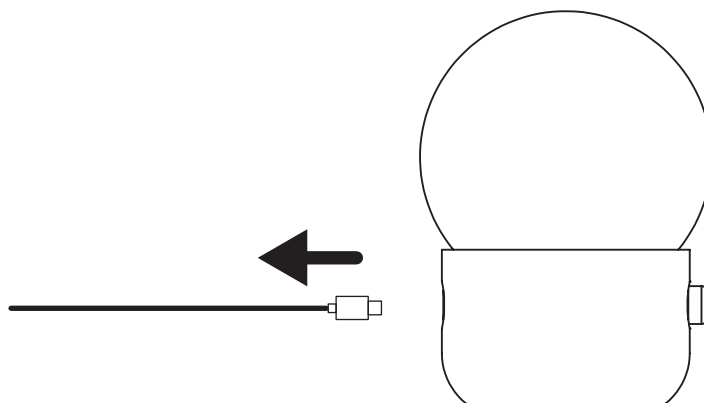
3. Plug the charger into the power socket to charge the lamp.

It needs 8 hours to be fully charged.

4. The lamp will also work plugged into the power supply.

To switch the lamp on or off, touch the sensor. To dim the light, keep pressing the sensor until it reaches the right brightness.

5.



5. Unplug the USB-C to move the lamp.
Then, take the luminaire and carry it to
the desired location.

Lamps without the IP mark are classed as IP20 and are designed for general indoor use, except wet areas (bathrooms, etc.)

- Lamps with the IP mark are designed for outdoor use and in wet areas. (E.g. IP54)
- They offer guaranteed protection to people and animals against electric shocks:

Class I: through single electrical insulation and an earthing conductor once correctly connected.



Class II: through double electrical insulation.



Class III: these kinds of lamps should be connected at very low voltage levels (generally 12V); therefore there is no risk.



• Lamps with this symbol, or without any symbols, can be mounted directly onto normally inflammable surfaces.



• Lamps with this symbol cannot be mounted directly onto normally inflammable surfaces.

• The safety of this lamp is guaranteed by using a maximum wattage bulb that does not exceed the figure displayed visibly on the lamp.



• The product cannot be treated like conventional domestic waste; it must be taken to the appropriate recycling station for electrical and electronic equipment.