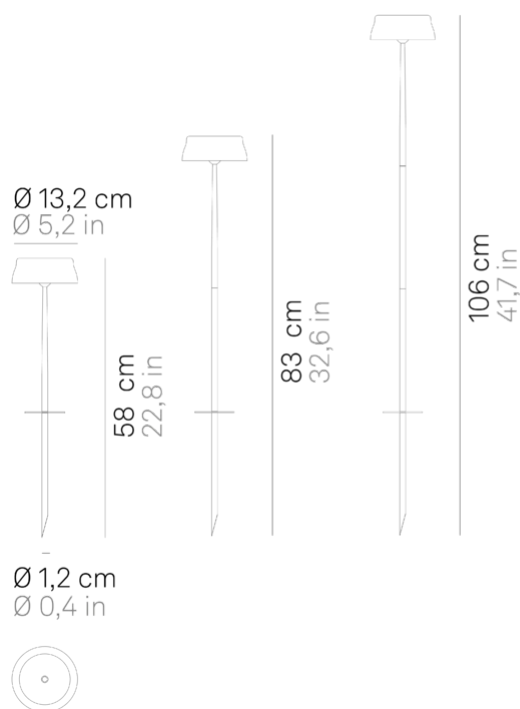


## Sister Light Wi-Fi \_Garden stake lamp



Cordless, rechargeable, battery garden stake lamp; this can be remote controlled using the Zafferano Lighting app. A touch control on the top of the lamp head allows you to switch the light on, dim it in 4 steps and select its color temperature. And thanks to its high IP rating, the lamp can be used outdoors and is also salt spray resistant (1500 h). An electronic control system monitors the remaining battery power and guarantees a constant luminous flux until the battery runs out, ensuring that recharging is optimized and always performed correctly. It can be recharged by unscrewing the top and positioning it on the contact charging base, included. Battery charger not included.



LED dimmable IP65

### LD1083

	Pearly white	<b>B3</b>		Black pearly	<b>D3</b>
	Ivory	<b>I3</b>		Gold	<b>O3</b>
	Copper	<b>R3</b>		Green	<b>V3</b>



### DESIGN IN ITALY BY ZAFFERANO SRL, MADE IN PRC

Zafferano SRL - Viale dell'Industria, 26 31055 Quinto di Treviso - Italy [www.zafferanoitalia.com](http://www.zafferanoitalia.com)

# Sister Light Wi-Fi \_Garden stake lamp

## Lighting specifications

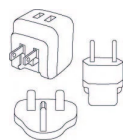
source	LED
type	SMD
total power	3.2 W
power LED	2.3 W
color temperature	2200 - 2700 - 3000 - 4000 K
lumen lamp	180 - 200 - 214 - 262 lm
lumen LED	250 - 275 - 296 - 338 lm
beam angle	100°
CRI	> 90
class	D
dimmer	TOUCH DIMMER
motion sensor	NO

## Electrical specifications

classe	3
supply voltage	5Vdc max.2A
battery	3 cell li-ion battery pack mod. 18650 3,7v - 2500 ma/h
battery life	100% 8 h. - 60% 11 h. - 30% 21 h. - 6% 36 h. (ECO Mode 10 h.)
charging time	5 H.

## ACCESSORIES

### LD0300UC

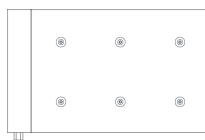


4.4 cm • 4.4 cm • 3.6 cm • IP20  
• 100-240V • 50/60 Hz

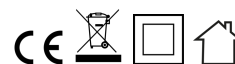


■ Black

### LD0350RP



33 cm • 51 cm • 5.8 cm • 3.2 W  
• IP20 • 100-240V • 50/60 Hz



■ Black