

## Instructions

# Caret MF1 Matteo Fogale 2022

---



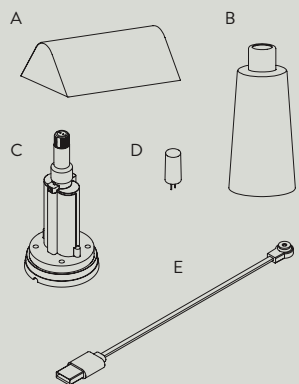
Congratulations on your new Caret lamp, designed in 2022 by Matteo Fogale. We hope you will enjoy using this product and follow these instructions to ensure correct installation. If you have any questions or comments, please do not hesitate to contact us by mail on:  
[info@andtradition.com](mailto:info@andtradition.com)

**&Tradition®**

# Caret MF1

## Matteo Fogale

### 2022



For indoor use  
Input 5.0V  $\equiv$  2A USB cable  
G4 Max 1.5 Watt dimmable LED bulb  
1 x Rechargeable &Tradition battery

Charging time  
1 battery: 3.5 hours  
2 batteries: 6 hours

Operating time on highest setting  
1W LED light bulb 1 battery: 11 hours  
2 batteries: 20 hours

Please read these instructions carefully and retain them for future reference to ensure that the product is used correctly. For your own safety, please study each step of this instruction manual first. &Tradition is not responsible for any faults or damages caused by not following these instructions correctly. Do not modify this product in any way.

#### Contents

- A Lamp shade
- B Lamp base
- C Battery compartment (incl. 1 battery)
- D LED G4 1W light bulb
- E Magnetic USB cable

#### Tools needed

- Screwdriver (for replacing batteries)

#### Safety precautions

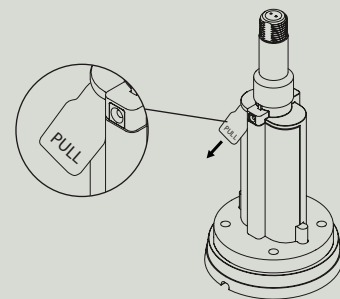
- Dispose of plastic bag from packaging and do not allow children to play with it.
- This lamp is for indoors use only. It can be taken outdoors, but must be kept and stored indoors.
- Consult a professionally qualified electrician if in any doubt.
- Batteries must be disposed of according to local environmental laws for waste disposal
- The light source contained in this luminaire shall only be replaced by the manufacturer or his service agent or a similar qualified person
- The luminaire is made insulation Class III. Therefore, it have to be charged by a SELV Circuit Plug driver. So the luminaire have the right protection when it is charged, or running on the mains

#### Cleaning instructions

- Wipe surface of the shade with a dry cloth.
- Do not use any abrasive cleaning tools such as steel wool, scouring sponges or stiff brushes.
- Never use strong cleaning agents such as white spirit, terpentine, household glass cleaner or cellulose thinners.

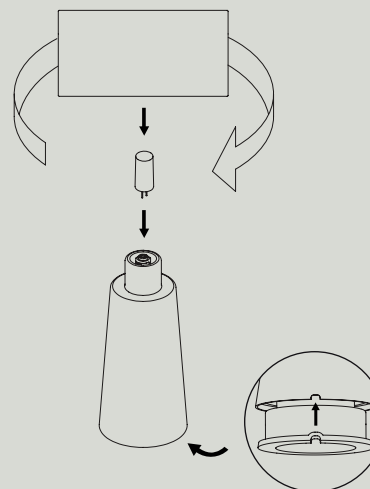
&Tradition will not accept any responsibility for any accidents or injuries that occurs due to the use of incorrect USB cable input. The battery must be removed from the luminaire before it is scrapped; the appliance must be disconnected from the supply mains when removing the battery; the battery must be disposed safely.

For further information or inquiry, please do not hesitate to contact &Tradition by mail on [info@andtradition.com](mailto:info@andtradition.com).



#### Step 1

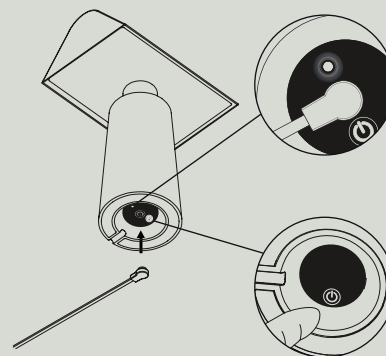
Remove plastic slip to activate the battery. No need to open the battery compartment.



#### Step 2

Insert the LED light bulb.  
Carefully lower the shade onto the base and turn clockwise to install it.

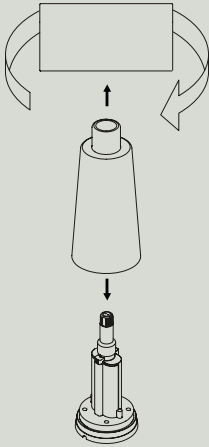
**Make sure the groove in the battery compartment are aligned with the same groove in the base.**



#### Step 3

Before use, the battery in the lamp needs to be charged. Plug in the magnetic USB cable into the magnetic bottom of the base and connect the USB cable to a power supply.

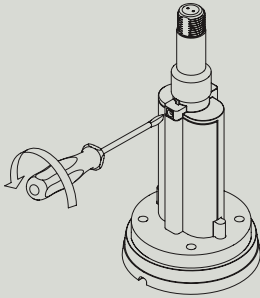




## Replacing battery

### Step 1

To replace the battery, start by deattaching the shade by turning counter clockwise and lift off the shade. Take out the LED light bulb. Gently press on top of the socket until the battery compartment pops out of the bottom.



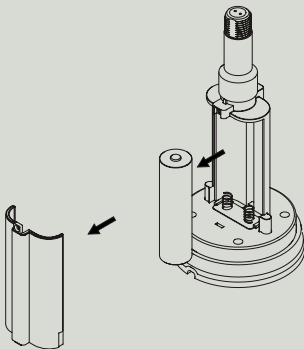
### Step 2

Unscrew the screw in the battery compartment by turning counter clockwise and remove the lid.

### Step 3

Take out the battery and replace it with a new battery. Place the battery correct by turning the plus and minus pole as stated in the battery compartment.

**Be aware to mount the lid gently by not overturning the screw in the threading.**



Remember to only use official rechargeable batteries from &Tradition. If desired, two batteries can be installed to achieve longer operation time.