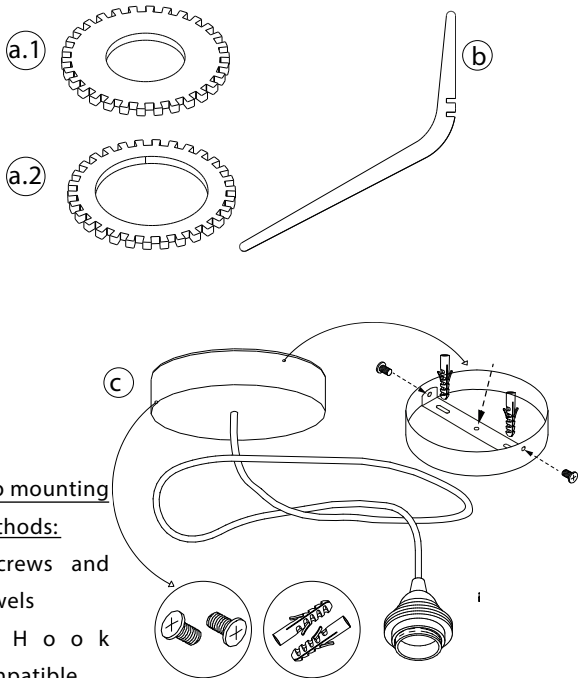


Components

- 1 X numbered gearwheel (a.1)
- 1 X Gearwheel (a.2)
- 30 X Slats (b)
- 1 X Electrical assembly (c)
- 1 X LED bulb E26 Warm light recommended (up to 20W)



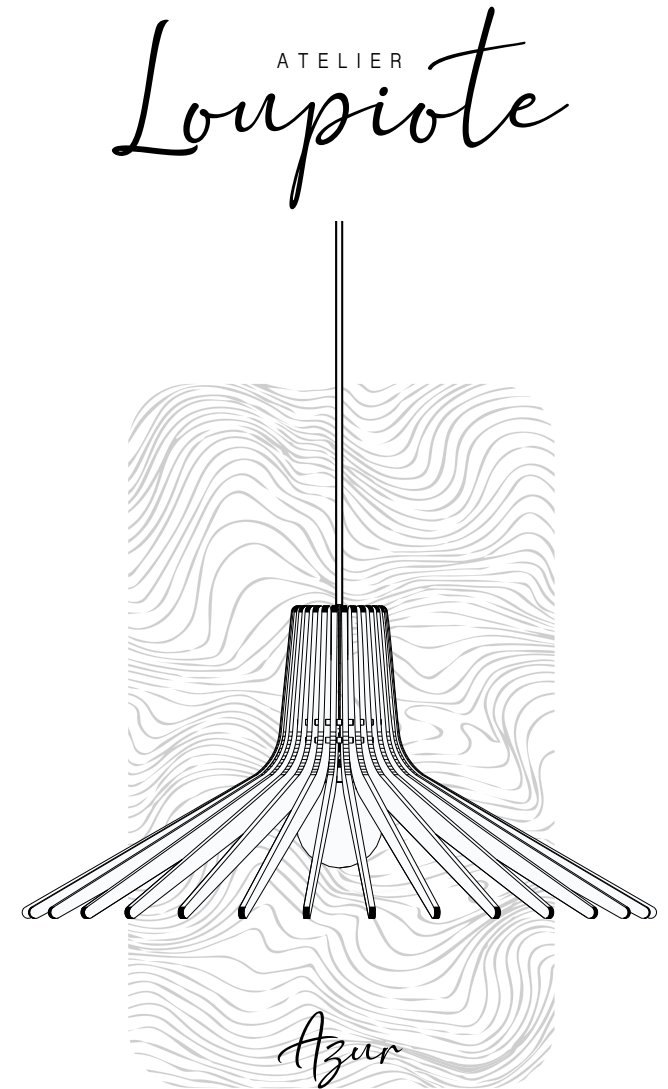
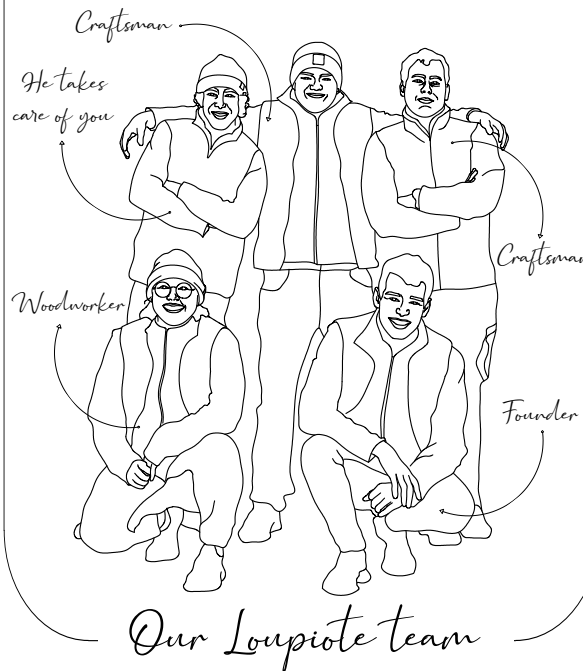
A big thank you !

We are happy to have you on board with Atelier Loupiote and thank you for helping to grow this project that means so much to us.

Something radiant awaits you!

Conceived in our minds and crafted by our hands, all our luminaires are brilliantly made in our workshop in Lyon to ensure **100% local production.**

And to stay tuned, you can follow us on Facebook and Instagram! (content in french only)
Atelier-loupiote.fr



Our manual

CAUTION !

Please make sure to cut off the electricity and seek assistance from a professional for the connection. Only turn on the electrical equipment once the assembly is complete and the bulb is screwed in place.

PRELIMINARY INFORMATION :

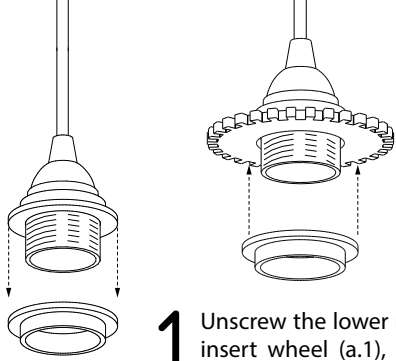
Some parts are fragile, handle them with care. We recommend setting up on a flat and stable surface to reduce the risk of breakage.

ARE YOU READY ?

Don't panic, we'll explain everything. Say goodbye to glue and tools; you only need your two hands for assembly. Pinky promise, it's a breeze. The parts are designed to fit together effortlessly. Just go with the flow!

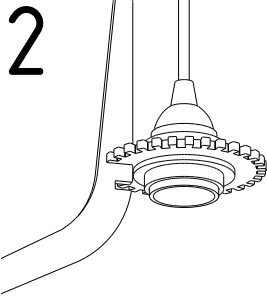
NEED HELP ?

If you encounter any issues and require technical support, please contact our workshop directly via email at the following address: hello@atelier-loupiote.fr. We'll be happy to assist you.



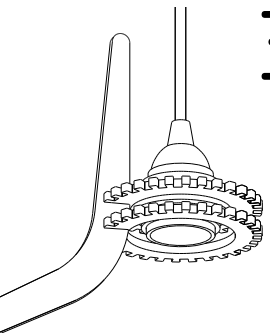
1 Unscrew the lower ring of the socket, insert wheel (a.1), and tighten both rings to secure it properly.

Fit a slat onto the wheel (a.1).

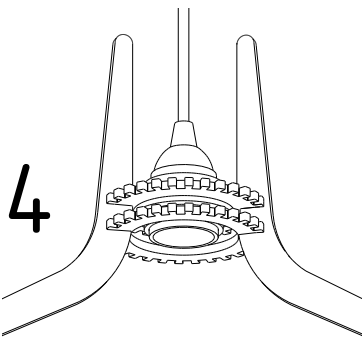


2

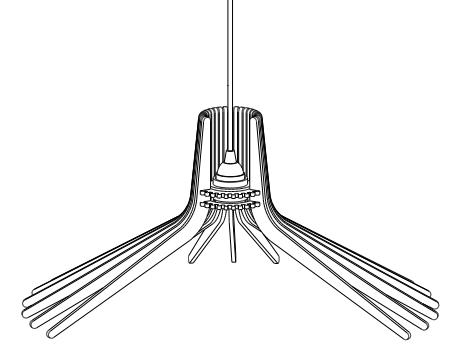
3 Next, fit the second wheel onto this slat. If the socket obstructs the fitting, raise it until there is enough clearance for wheel (a.2).



Repeat the operation on the opposite side with a second slat.

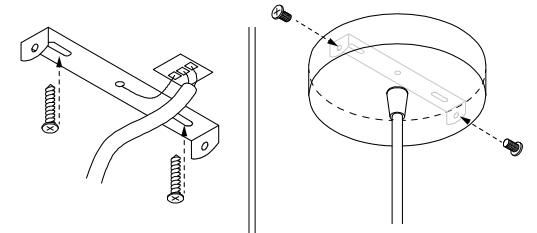


4



In this way, we continue to fit the slats one by one around the wheels and ensure that each slat is properly engaged.

5



6 Adjust the cable. Screw the support bar to the ceiling, connect the cable to the power supply, and secure the canopy using the two screws. All that's left is to screw in an E27 LED bulb.

And you're done !

