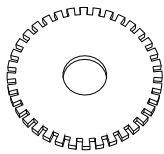


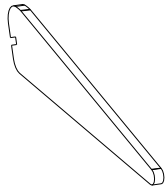
Components

- 1 X Numbered gearwheel (a.1)
- 36 X Numbered slats (b)
- 1 X Electrical assembly (c)
- 1 X LED bulb E26 Warm light recommended (4W)

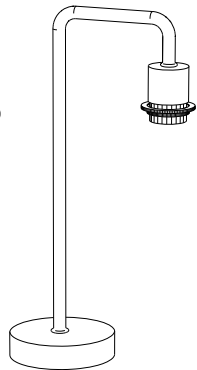
a.1



b



c



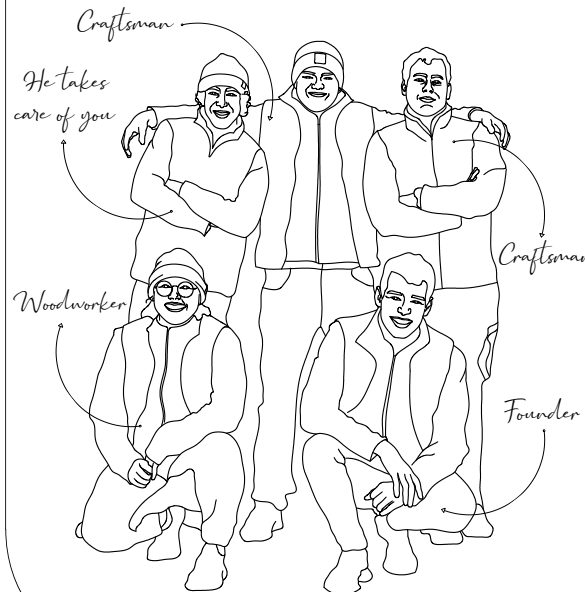
A big thank you !

We are happy to have you on board with Atelier Loupiote and thank you for helping to grow this project that means so much to us.

Something radiant awaits you!

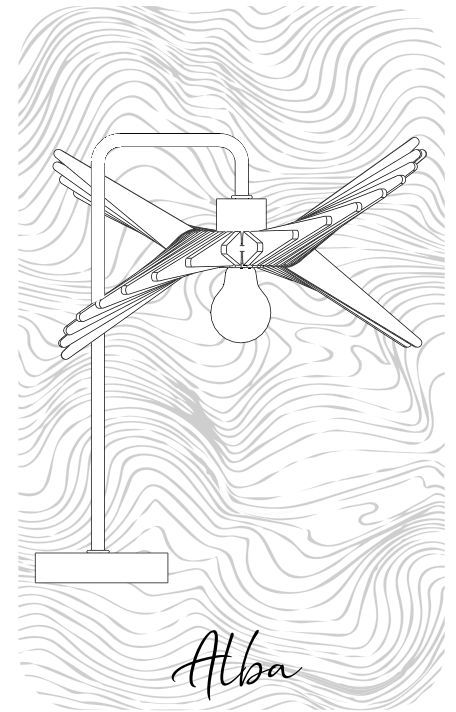
Conceived in our minds and crafted by our hands, all our luminaires are brilliantly made in our workshop in Lyon to ensure **100% local production.**

And to stay tuned, you can follow us on Facebook and Instagram! (content in french only)
Atelier-loupiote.fr

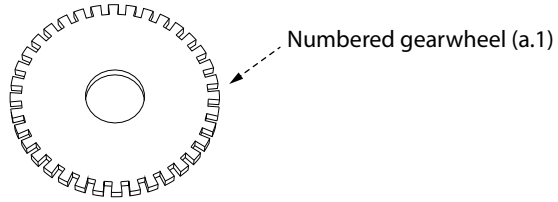


Our Loupiote team

ATELIER
Loupiote

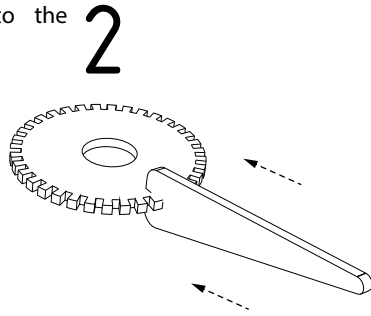


Our manual

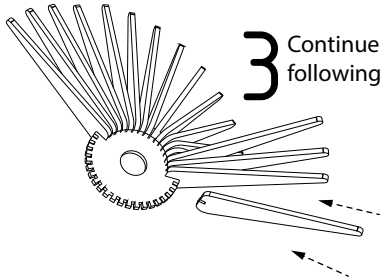


1 Take the numbered wheel (a.1).

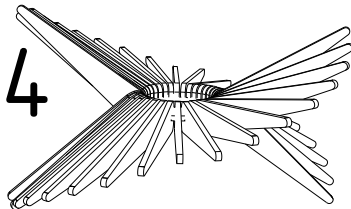
Insert blade No.1 into the corresponding notch.



3 Continue to insert the blades following the numbering.



Repeat the operation on the other side until the entire wheel (a.1) is completed.



CAUTION !

Please make sure to cut off the electricity and seek assistance from a professional for the connection. Only turn on the electrical equipment once the assembly is complete and the bulb is screwed in place.

PRELIMINARY INFORMATION :

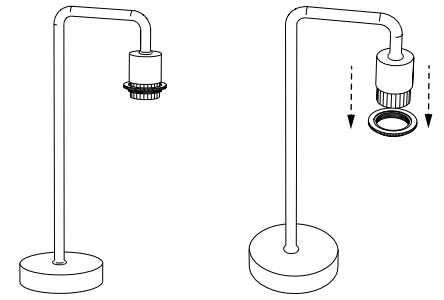
Some parts are fragile, handle them with care. We recommend setting up on a flat and stable surface to reduce the risk of breakage.

ARE YOU READY ?

Don't panic, we'll explain everything. Say goodbye to glue and tools; you only need your two hands for assembly. Pinky promise, it's a breeze. The parts are designed to fit together effortlessly. Just go with the flow!

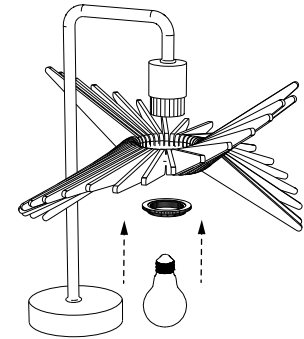
NEED HELP ?

If you encounter any issues and require technical support, please contact our workshop directly via email at the following address: hello@atelier-loupiote.fr. We'll be happy to assist you.



Screw the mast of the stand onto its base, then unscrew the clamping ring of the socket.

5



6 Insert Alba into the socket of the stand, then tighten the clamping ring.

And you're done !

