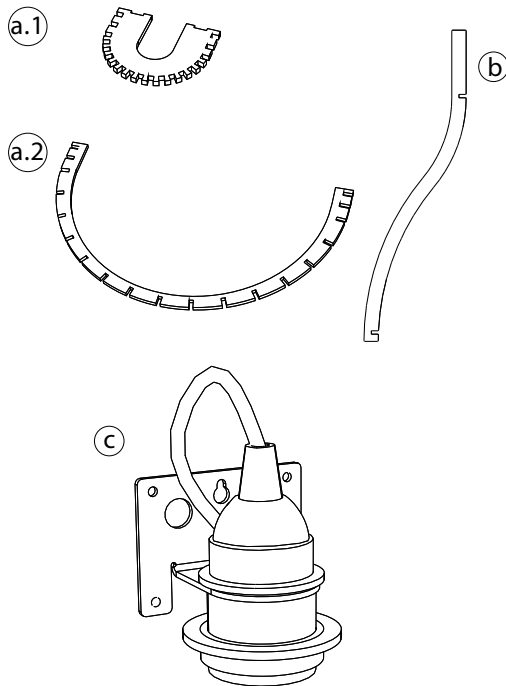


Components

- 1 X Half gearwheel (a.1)
- 1 X Half gearwheel (a.2)
- 17 X Slats (b)
- 1 X Wall-mounted electrical system (c)
- 1 X LED bulb E14 Warm light recommended 4W.



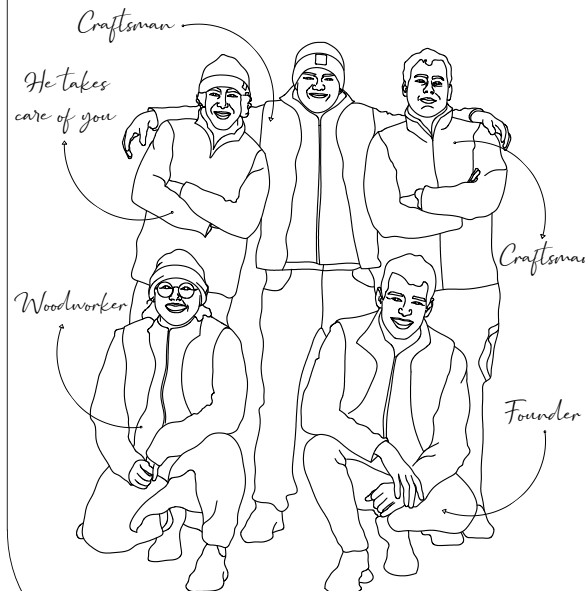
A big thank you !

We are happy to have you on board with Atelier Loupiote and thank you for helping to grow this project that means so much to us.

Something radiant awaits you!

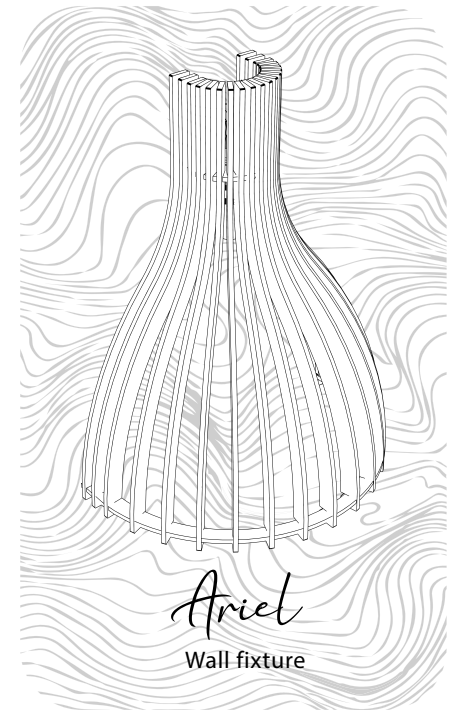
Conceived in our minds and crafted by our hands, all our luminaires are brilliantly made in our workshop in Lyon to ensure **100% local production.**

And to stay tuned, you can follow us on Facebook and Instagram! (content in french only)
Atelier-loupiote.fr



Our Loupiote team

ATELIER Loupiote



Our manual

CAUTION !

Please make sure to cut off the electricity and seek assistance from a professional for the connection. Only turn on the electrical equipment once the assembly is complete and the bulb is screwed in place.

PRELIMINARY INFORMATION :

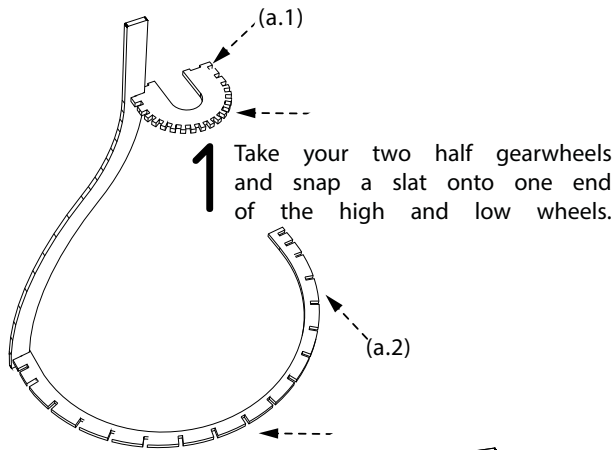
Some parts are fragile, handle them with care. We recommend setting up on a flat and stable surface to reduce the risk of breakage.

ARE YOU READY ?

Don't panic, we'll explain everything. Say goodbye to glue and tools; you only need your two hands for assembly. Pinky promise, it's a breeze. The parts are designed to fit together effortlessly. Just go with the flow!

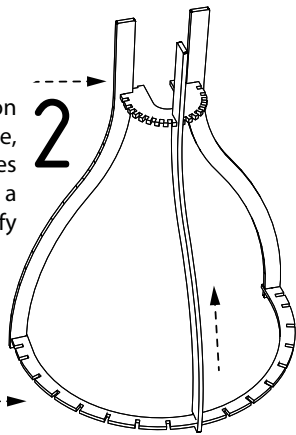
NEED HELP ?

If you encounter any issues and require technical support, please contact our workshop directly via email at the following address: hello@atelier-loupiote.fr. We'll be happy to assist you.

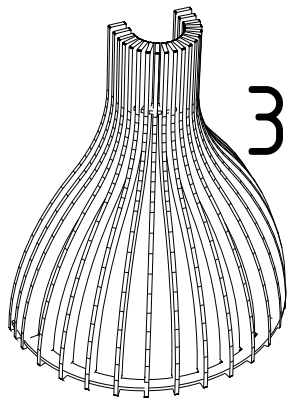


1 Take your two half gearwheels and snap a slat onto one end of the high and low wheels.

Repeat the same operation on the other side of the luminaire, ensuring to snap both notches at the same time. Then, add a blade in the middle to solidify the model.



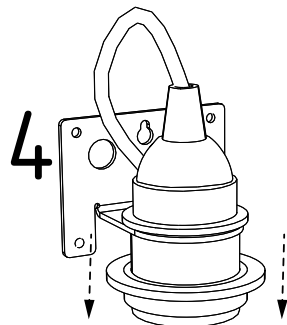
2



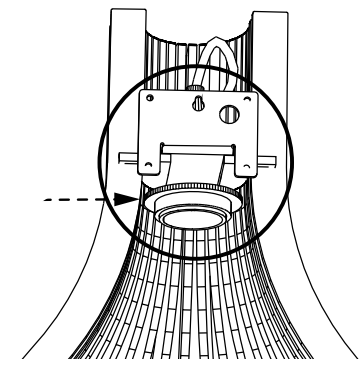
3 Continuing to ensure both notches are snapped simultaneously, repeat the operation until the entire model is assembled.

Make sure the blades are securely snapped into the bottom of the wheel notch.

Attach the wall bracket for the sconce, having previously made the electrical connection, and loosen the ring underneath to create a gap between the metal bracket and the socket ring.

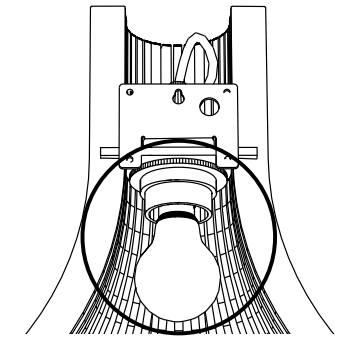


4



The top wheel should fit between the metal bracket and the ring.

5



6 Tighten the ring to lock the model onto the bracket and screw in the light bulb.

6

And you're done !

