

ASSEMBLY & INSTALLATION INSTRUCTIONS

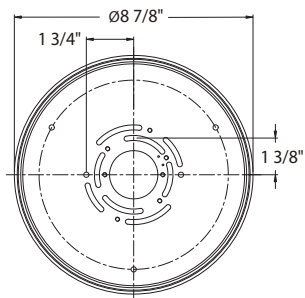
DEVOTION-LED Pendant

BPD66203/BPD66205/BPD66209/BPD66215/BPD66221

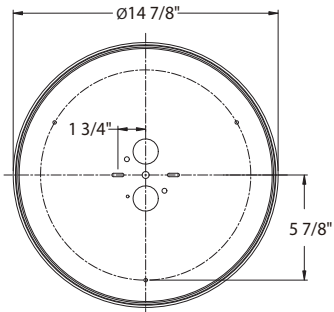


Ceiling Plate Dimensions

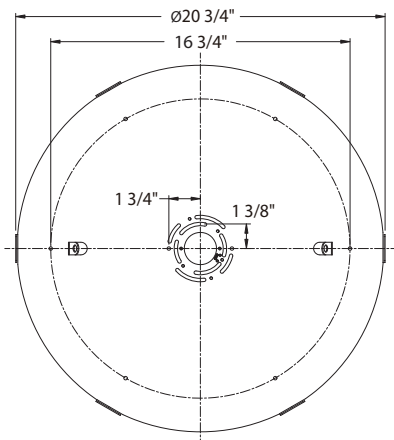
BPD66203



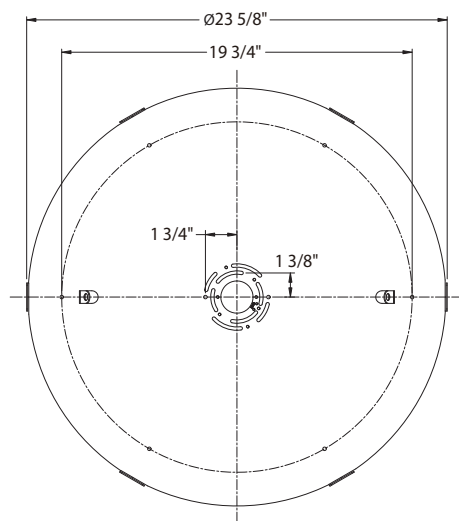
BPD66205
BPD66209



BPD66215



BPD66221



Schonbek, 61 Industrial Blvd, Plattsburgh, New York, 12901
Phone: 1-800-836-1892 | Fax: 518-563-4228 |
www.schonbek.com

ASSEMBLY & INSTALLATION INSTRUCTIONS

DEVOTION-LED Pendant

BPD66203/BPD66205/BPD66209/BPD66215/BPD66221



- WARNING**
IMPORTANT: NEVER attempt any work without shutting off the electricity.
- o Read all instructions before installing.
 - o System is intended for installation in accordance with the National Electrical Code (NEC), other applicable installation code(s) and local regulations by a licensed electrician familiar with the operation of the product and the hazards involved.
 - o Go to the main fuse box, or circuit breaker panel. Place the main power switch in the "OFF" position and unscrew the fuse (s) or switch "OFF" the circuit breaker switch (es) that control the power to the fixture (s) or room that you are working on.
 - o Place the wall switch in the "OFF" position.
 - o **FAILURE TO INSTALL THIS FIXTURE IN ACCORDANCE WITH THESE INSTRUCTIONS MAY RESULT IN SERIOUS PERSONAL INJURY OR DEATH AND/OR PROPERTY DAMAGE.**

- CAUTION**
- o All parts must be used as indicated in these instructions. Do not substitute any parts, leave parts out, or use any parts that are worn out or broken. Failure to follow this instruction could invalidate the ETL/CETL Listing of this fixture.
 - o When handling the fixture, do not apply pressure to the LEDs or bulbs. Hold the fixture by the base only.
 - o Do not exceed maximum wattage noted on the fixture. Use only the recommended LED or standard lamps with the fixture.

- ADVERTENCIA**
IMPORTANTE: NUNCA trate de hacer ningún trabajo sin desconectar la electricidad.
- o Lea todas las instrucciones antes de instalar.
 - o El sistema tiene por objeto la instalación de acuerdo con el Código Eléctrico Nacional, y otros códigos de instalación y reglamentos locales aplicables, por parte de un electricista autorizado que esté familiarizado con el funcionamiento del producto y los peligros involucrados.
 - o Vaya a la caja de fusibles o al panel de disyuntores principal. Ponga el interruptor principal de alimentación en la posición de "APAGADO", y desenrosque los fusibles o "DESCONECTE" los disyuntores que controlen la alimentación a los dispositivos o la habitación en los que usted esté trabajando.
 - o Ponga el interruptor de pared en la posición de "APAGADO".
 - o **EL HECHO DE NO INSTALAR ESTE DISPOSITIVO DE ACUERDO CON ESTAS INSTRUCCIONES PODRÍA RESULTAR EN UNA LESIÓN PERSONAL GRAVE O LA MUERTE, Y/O DAÑOS A LA PROPIEDAD.**

- PRECAUCIÓN**
- o Todas las piezas deben usarse como se indica en estas instrucciones.No sustituya ninguna pieza, no deje piezas fuera, ni utilice ninguna pieza que esté desgastada ni rota. El hecho de no seguir estas instrucciones podría invalidar la certificación ETL/CETL de este dispositivo.
 - o Al manipular el dispositivo, no aplique presión a los LED ni las bombillas. Sujete el dispositivo solo por la base.
 - o No exceda la potencia máxima indicada en el dispositivo. Use solo los LED o las bombillas estándar recomendados con el dispositivo.

- ADVERTENCIA**
IMPORTANTE: NUNCA trate de hacer ningún trabajo sin desconectar la electricidad.
IMPORTANT : Ne JAMAIS entreprendre des travaux sans couper l'électricité.
- o Lire toutes les instructions avant l'installation.
 - o Ce système est conçu pour être installé conformément au Code national de l'électricité ou d'autres codes d'installation et réglementations locales en vigueur par un électricien agréé connaissant le fonctionnement de ce produit et les dangers qu'il comporte.
 - o Aller à la boîte à fusibles ou panneau principal de disjoncteurs. Placer l'interrupteur d'alimentation principal sur « ARRÊT » et dévisser le ou les fusibles ou mettre sur « ARRÊT » le ou les disjoncteurs qui contrôlent l'alimentation du ou des appareils électriques ou de la pièce dans laquelle vous travaillez.
 - o Mettre l'interrupteur mural sur « ARRÊT » .
 - o NÉGLIGER D'INSTALLER CET APPAREIL CONFORMÉMENT À CES INSTRUCTIONS RISQUE D'ENTRAÎNER DE GRAVES BLESSURES PERSONNELLES OU LA MORT AINSI QUE DES DOMMAGES MATÉRIELS.
 - o MISE EN GARDE
 - o Toutes les pièces doivent être utilisées comme indiqué dans ces instructions. Ne remplacer aucune pièce, ne laisser aucune pièce de côté ou n'utiliser aucune pièce usée ou cassée. Le non-respect de cette directive peut invalider l'homologation ETL/CETL de cet appareil.
 - o Lors de la manipulation de cet appareil, n'appliquer aucune pression sur les DEL ou les ampoules. Maintenir l'appareil par la base uniquement.
 - o Ne pas dépasser le nombre de watts maximum indiqué sur l'appareil. N'utiliser que les DEL ou ampoules standard recommandées dans cet appareil.

ASSEMBLY & INSTALLATION INSTRUCTIONS

DEVOTION-LED Pendant

BPD66203/BPD66205/BPD66209/BPD66215/BPD66221



HARDWARE

A



Wire Connector
Qty: 3+1 Extra

B



Canopy Screw
Qty: 1 Extra

C



Plastic Anchor
Qty: 17 pcs

D



Anchor Screw
Qty: 17 pcs

E

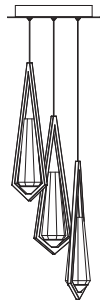


Switch Cover
Qty: 1

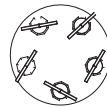
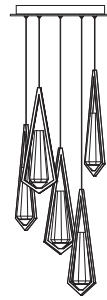
Product Weight

Product Number	Weights (lbs)
BPD66203	19.42
BPD66205	34.57
BPD66209	55.38
BPD66215	96.45
BPD66221	132.3

BPD66203



BPD66205



ASSEMBLY & INSTALLATION INSTRUCTIONS

DEVOTION-LED Pendant

BPD66203/BPD66205/BPD66209/BPD66215/BPD66221



(OPTIONAL) DIMMER WIRING (Fig. 2)

- This fixture features electronic low voltage (ELV or TRIAC) or 0-10V dimming capabilities. See notes below for specific dimming wires information.
- To utilize ELV or TRIAC dimming: use wires black (live), white (neutral) and house green wire or bare copper wire (ground). Do not use dimmer wires on driver for ELV or TRIAC dimming.
- To utilize 0-10V dimming: use wires purple (dim+), Pink or gray (dim-) from driver and connect to corresponding wires in junction box.
- NOTE: Make sure to connect 0-10V prior to powering up the fixture in order to allow the 0-10V dimming to function properly.

Fig. 2 Wire Diagram

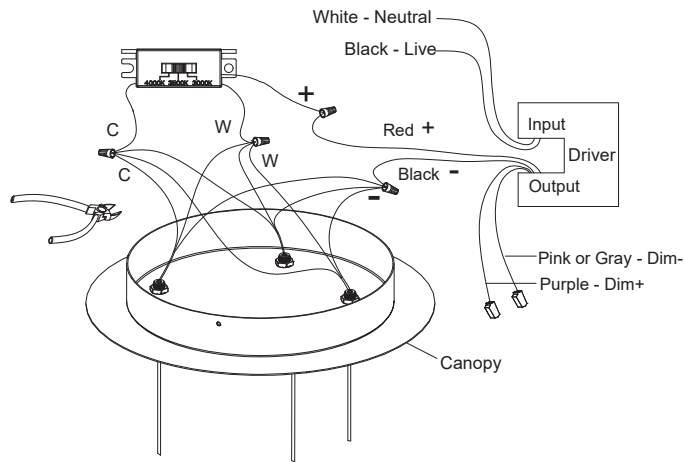
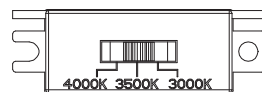


Fig. 3 Wiring

	Fixture Wires Black or Smooth	House Wires Black (Live)
	Fixture Wires White or Ribbed	House Wires White (Neutral)
	Fixture Wires Bare wire (Ground)	House Wires Green or Bare Copper (Ground)

Fig. 4 3CCT Switch



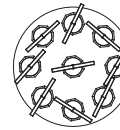
ASSEMBLY & INSTALLATION INSTRUCTIONS

DEVOTION-LED Pendant

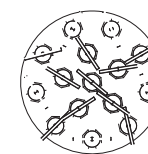
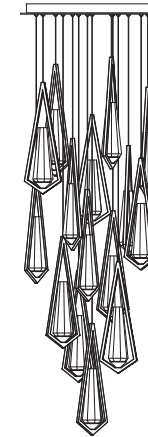
BPD66203/BPD66205/BPD66209/BPD66215/BPD66221



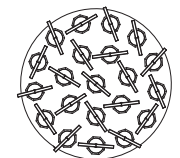
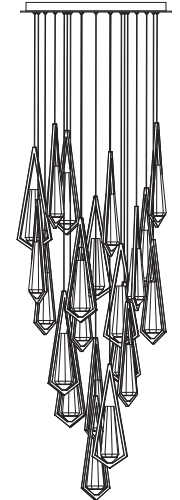
BPD66209



BPD66215



BPD66221



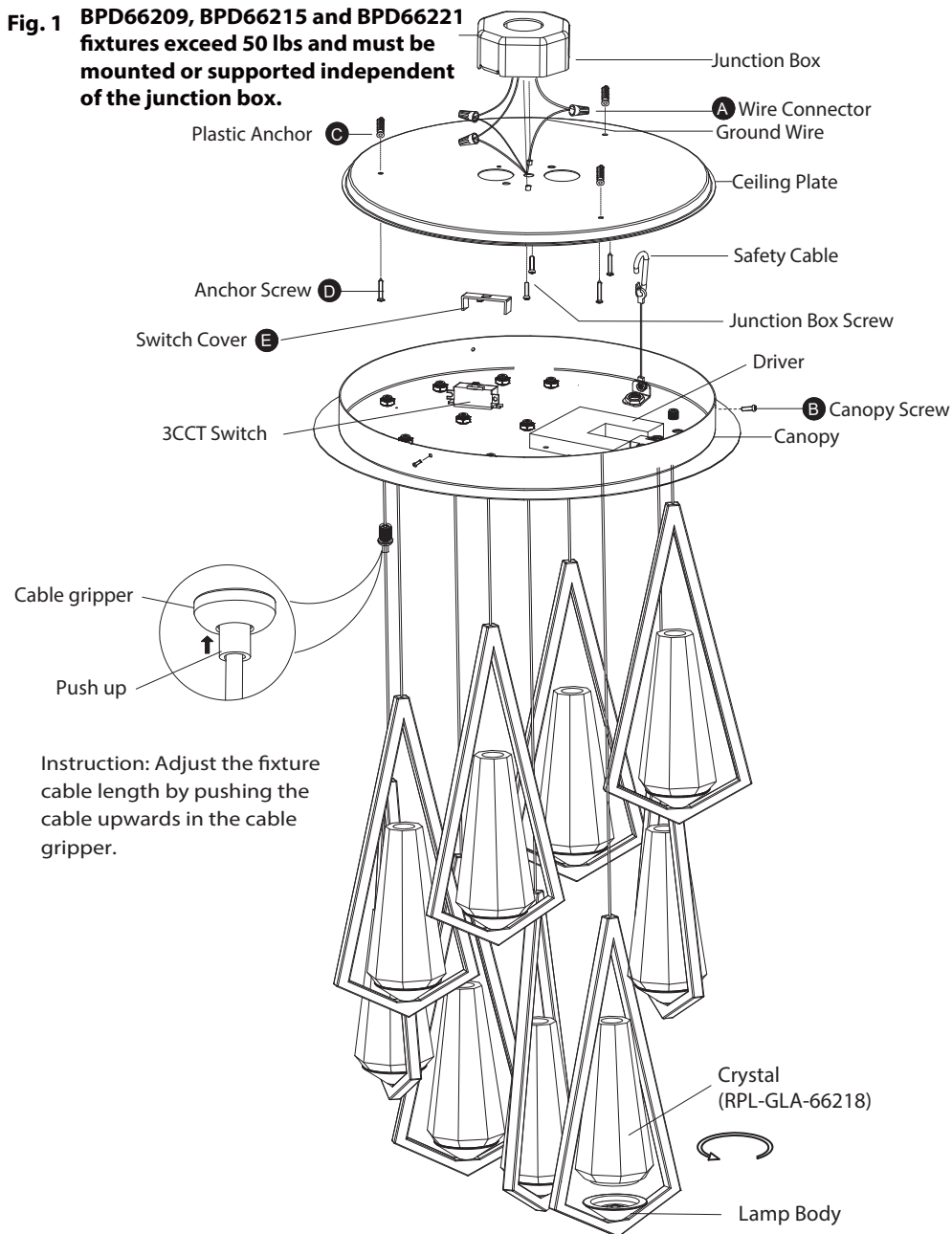
ASSEMBLY & INSTALLATION INSTRUCTIONS

DEVOTION-LED Pendant

BPD66203/BPD66205/BPD66209/BPD66215/BPD66221

SCHONBEK
Beyond

Fig. 1 BPD66209, BPD66215 and BPD66221 fixtures exceed 50 lbs and must be mounted or supported independent of the junction box.



ASSEMBLY & INSTALLATION INSTRUCTIONS

DEVOTION-LED Pendant

BPD66203/BPD66205/BPD66209/BPD66215/BPD66221

SCHONBEK
Beyond

PREPARATION

1. Shut off the power at the circuit breaker and remove existing fixture, including the crossbar.
2. Carefully unpack your new fixture and lay out all the parts in a clear area. Be careful not to lose any small parts necessary for installation.
3. Use gloves when handling trim, crystals, and glass components during installation.

MOUNTING CEILING PLATE (Fig. 1)

4. Remove the canopy screws (B) and take out the ceiling plate.
5. Using the ceiling plate as a template, drill holes in the ceiling aligned with the outer set of holes located in the ceiling plate. Insert the plastic anchors (C) into the ceiling.
6. First, secure the ceiling plate to the junction box using the junction box screws (not provided). Second, fasten the ceiling plate to the ceiling using anchor screws (D).
 - (i) The side of the ceiling plate marked "GND" must face out, towards the installer.
 - (ii) It is recommended to use only original junction box screws or replacements provided by junction box manufacturer.

WIRING AND HANGING FIXTURE (Fig. 1, Fig. 2, Fig. 3)

7. Set color temperature at this stage. The fixture can switch between three color temperatures (3000k, 3500k, 4000k), which can be adjusted to your preference using the 3CCT switch (Fig. 4) mounted in the fixture.

Note: (i) The switch comes with a detachable switch cover (E), remove the switch cover (E) prior to adjusting the color temperature, reattach the switch cover (E) after adjustment is made.
 (ii) fixture must be powered off to adjust the CCT setting, after each CCT adjustment cycle power on, off then on to show new CCT setting.
 8. Adjust the fixture wire length by pushing the cable gripper on the canopy and pulling the wire as desired.
 - (i) Before securing the canopy in place, it is recommended to retract or extend the wire within the canopy to a desirable length.
 - (ii) Due to limited space within the canopy, shorten the cable as necessary to make the installation easier. Make sure to identify and label all the wiring properly before any trimming/shortening of cables. (Fig. 2)
 - (iii) Note: Retracting or extending excessive cable length through the cable gripper is not recommended.
 - (iv) Warning: Modifying the fixture may result in voiding the warranty of the product. Only licensed persons should trim cables and perform rewiring.
 9. Attach the fixture to the ceiling plate using safety cables as shown (Fig. 1). This secures the fixture and aids in wiring.
 10. Connect the driver input wires to the junction box wires as shown in Fig. 2 using wire connectors (A) provided. Ensure wire connectors are secure. Connect the fixture's ground wire to the ground in the junction box; this will be either a green wire or a bare copper wire. After driver is wired to house wires, tuck wires carefully inside the junction box.
 11. If using a dimmer with this fixture, wire dimmer connections at this stage per section titled **"(OPTIONAL) DIMMER WIRING."**
- #### COMPLETING THE INSTALLATION (Fig. 1)
12. Mount the canopy against the ceiling plate. Secure fixture to the ceiling plate using the canopy screws (B).
 13. Rotate the glass into the lamp body.