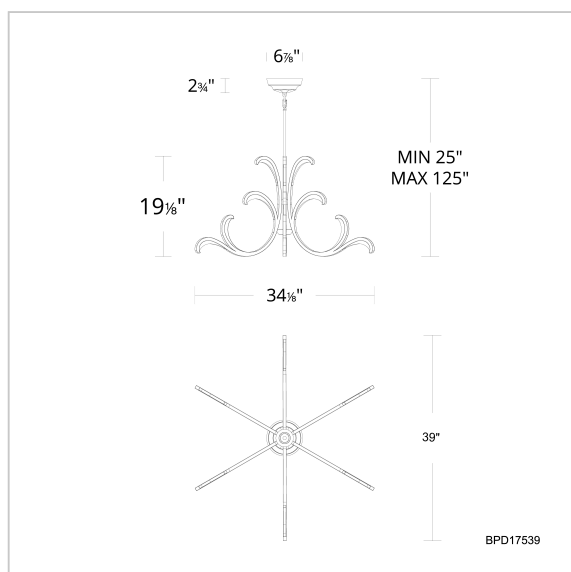


Lombardy

BPD17539



LINE DRAWING



Project:

Location:

Fixture Type:

Catalog Number:

DESCRIPTION

Experience the elegance of nature with the exquisite Lombardy crystal pendant light, inspired by the graceful form of a blooming flower. Sculpted with soft, flowing curves, this luxurious crystal pendant elevates any space with its organic beauty. Each arm is delicately adorned with Radiance® Crystal Dust at its tip, discreetly concealing integrated LEDs that emit a soft, radiant glow.

FEATURES

- Can be mounted on a sloped ceiling.
- Driver concealed within the canopy

CRYSTAL OPTIONS



Optic Haze®
Quartz
(OH)

FINISH OPTIONS



Black
(-BK)

SPECIFICATIONS

Light Source	LED
Dimming	ELV,0-10V, Triac
Standards	ETL/cETL, Title 24

REPLACEMENT PARTS

RPL-ROD-IN06-AB - 6" Rod AB
 RPL-ROD-IN12-AB - 12" Rod AB
 RPL-GLA-17539-03 - Replacement Canopy Crystal
 RPL-GLA-17539-02 - Replacement Arm Crystal 2
 RPL-GLA-17539-01 - Replacement Arm Crystal 1
 RPL-ROD-IN06-BK-01 - 6" Rod BK
 RPL-ROD-IN12-BK-01 - 12" Rod BK

Model	Crystal	Finish	Size	CCT	Voltage	Wattage	Weight	LED Lumens	Delivered Lumens
BPD17539	OH	- AB - BK	39"	3000K/3500K/ 4000K/5000K	120V-277V	40W	20lbs	4000	Up To 1887

Example: BPD17539-AB