

REGINA ANDREW

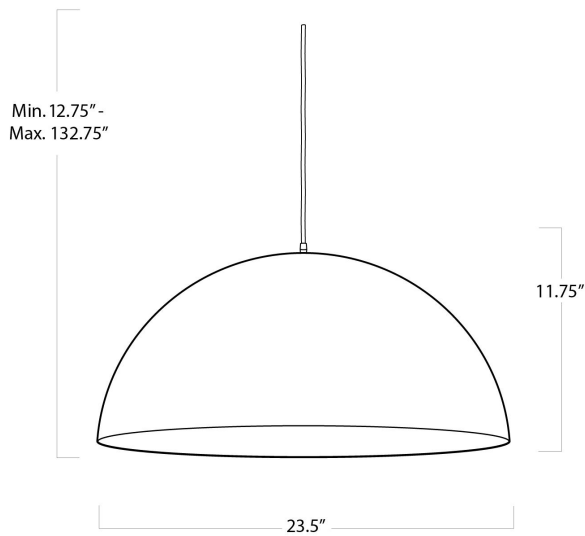
DETROIT

SPECIFICATION SHEET

Sigmund Pendant Large (Black and Gold) 16-1091BLK



Canopy: 5" x 5" x 1"



| | |
|---------------------|--------------------------|
| HEIGHT | 12.75 |
| WIDTH | 23.5 |
| DEPTH | 23.5 |
| SHADE DIMS | N/A |
| SHADE COLOR | N/A |
| BULB QTY | 1 |
| BULB TYPE | A Type Medium Base (E26) |
| SOCKET | E26 Keyless |
| WATTAGE | 100 Watt Max |
| WIRING TYPE | Hard Wire |
| MATERIAL | Steel |
| FINISH | N/A |
| NOTES | 10 ft of cord |
| FREIGHT ONLY | No |